

## YDD-L GEN 2 DUSK TO DAWN YARD LIGHT

The YDD-L is an energy efficient dusk to dawn yard light. It was designed for barns and farms. It is a versatile and economic light source that is good on the environment and uses long life LED's. The YDD-L comes standard with a photocontrol which helps to provide significant power savings. It includes an installation bracket for pole and wall mounting and a 21" arm for ease and versatility of installation. All units come standard with 3' of cable to facilitate the connection to the junction box when mounting with the pole arm.

### FEATURES AND SPECIFICATIONS

#### • Construction

##### Housing

Heavy-duty cast aluminum housing finished standard in a grey polyester powder coating with anti-corrosive finish and rust proof. Standard pole mount compatible. Dusk to Dawn with photo control.

##### Mounting options

The YDD-L comes standard with a removable 21" arm for pole or wall mounting.

##### Lens

Polycarbonate diffused lens encloses high performance LEDs.

#### • Electrical

- Comes standard with 120-277 V 50/60Hz non-dimmable and rated IP65 driver
- 3' of power cable is included to facilitate the connection to the junction box when mounting with the 21" pole arm
- Twist-lock grey photocell 120-277 V included
- Ambient operating temperature range of -40°C to +40°C

#### • Compliances

- Wet location
- IK07
- Meets requirements of ICES-005 issue for class B product
- cETLus



### OVERVIEW

Light source	LED
Watts (W)	56
Lumen output (lm)	6843 - 7333
Efficiency (lm/W)	123 - 130
Color temperature (K)	4 000 - 5 000
Weight (lbs)	3.66



ICES  
005



Not all products are qualified on the DLC QPL. To view our DLC qualified products, please consult the DLC Qualified Products List at [www.designlights.org/search](http://www.designlights.org/search).

QUICK SHIP AND TECHNICAL SPECIFICATION TABLE  1

Order code	Description	DLC unique ID	Watts (W)	Volts (VAC)	Color temp. (K) <sup>2</sup>	Lumen output (lm) <sup>3</sup>	Efficiency (lm/W)	CRI	Life L70 (hrs) <sup>4</sup>	Power factor	THD (%)	Traditional equivalent (W)	Case qty (master)
68189	YDD-LS2B-W/4KPT	PLIY1INITGAY	56	120-277	4 000	6 843	123	82.7	>54 000	0,75-0,98	9	130	4
68190	YDD-LS2B-W/5KPT	PLCH4KAZLSW1	56	120-277	5 000	7 333	130	84.6	>54 000	0,75-0,98	9	140	4

<sup>1</sup> **QUICK SHIP:** Product availability is subject to change without notice. Please contact your Stanpro customer service representative to confirm inventory levels at time of order.

<sup>2</sup> Typical color temperature range: +/- 5 %.

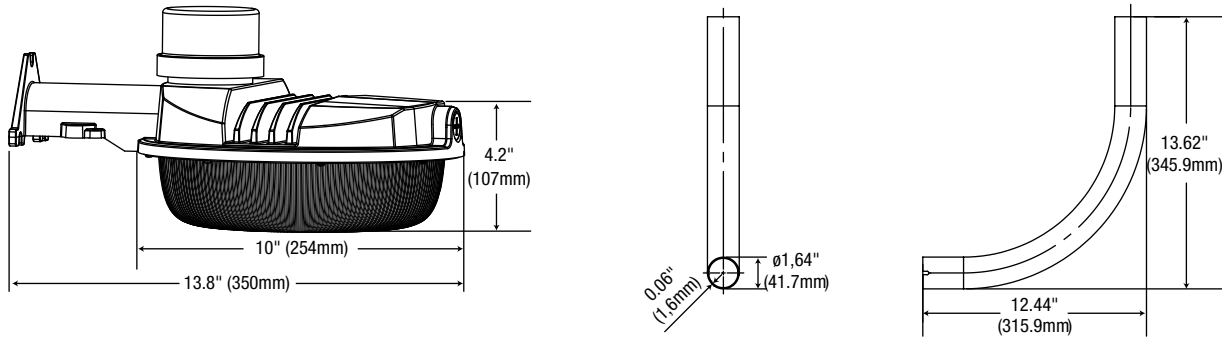
<sup>3</sup> Lumen values are derived from photometric testing. Initial lumens range: +/- 10 %.

<sup>4</sup> Life hours are derived from IESNA LM-80-08 testing report and projected per IESNA TM-21-11 extrapolations.

ACCESSORIES (order separately)

Part number	Type
PH0009	Shorting cap

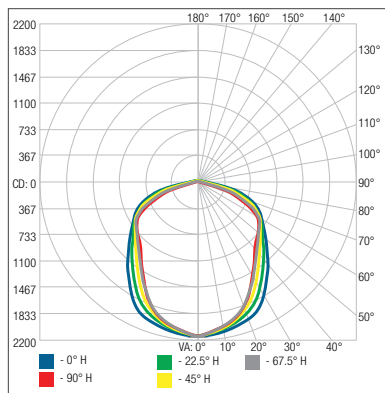
DIMENSIONS



PHOTOMETRIC DATA<sup>1</sup>

68189 • YDD-LS2B-W/4KPT • 6 830.5 lm

Polar candela distribution



Zonal lumen summary

Zone	Lumens	% Fixture
0-30	1 654.5	24.2%
0-40	2 646.8	38.7%
0-60	4 654.9	68.1%
60-90	1 843.1	27%
70-100	1 025.5	15%
90-120	214.0	3.1%
0-90	6 498.0	95.1%
90-180	332.5	4.9%
0-180	6 830.5	100%

Illuminance at a distance

Center beam fc	Beam width
17.0'	7.39 fc
34.0'	1.85 fc
51.0'	0.82 fc
68.0'	0.46 fc
85.0'	0.30 fc
102.0'	0.21 fc

Vert. spread: 116.7°  
Horiz. spread: 107.7°

<sup>1</sup> Complete IES files available on our website.

Data is based upon tests performed in a controlled environment. Actual performance can vary depending on operating conditions. All products are subject to change or may be discontinued any time without notice.