

## TL10

### ADJUSTABLE SOCKET

250W max.

The economical adjustable socket style track head allows for the proper seating of various lamps. Integral on/off switch and track polarity indicator come standard. The TL10 comes complete with J & J2 style track adapter. H & H2 style adapter available upon request. Suitable for ceiling-mounted tracks.

#### FEATURES AND SPECIFICATIONS

##### • Construction

###### Material

Heavy duty housing designed for commercial use.

###### Aiming

The secure yoke provides precision aiming without the need for tools.

###### Lamps

- Incandescent or LED (lamp not included)
- E26 medium base style lamps:
  - Max 75W PAR16
  - Max 50W PAR20
  - Max 75W PAR30
  - Max 250W PAR38

###### Finishes

Heavy duty scratch resistant powder coated. Available in glossy white, black and silver.

###### Adapter

Track heads with "J" adapter are classified to be used with Stanpro STJ track series, Juno T or TU track series and Prescolite TS or TT track series. Track heads with "H" adapter are classified to be used with Cooper Lighting L641/2/3 track series.



#### OVERVIEW

Watts (W)	50, 75, 250
Weight (lbs)	1.5

**1**<sup>yr</sup>  
**warranty**

  
**quick  
ship**



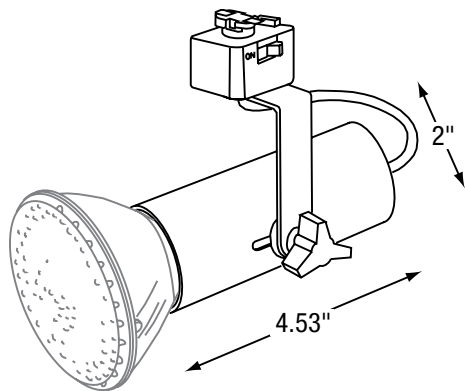
**ORDERING GUIDE**

<b>TL10</b>	<b>N</b>	<b>0250</b>	<b>A</b>		
Series	Lamp type	Watts (W)	Volts (V)	Adapter	Finish
TL10	N - Incandescent	0250 - 250 max	A - 120	J - J & J2 Track H - H & H2 Track <sup>1</sup>	BK - Black WH - White SI - Silver <sup>2</sup>

<sup>1</sup> Please contact factory for availability.

<sup>2</sup> For other options and availabilities please contact factory.

**DIMENSIONS**



Data is based upon tests performed in a controlled environment. Actual performance can vary depending on operating conditions. All products are subject to change or may be discontinued any time without notice.