

## Series Spec Sheet

# THB

## TEMPORARY LED HIGH BAY

### GEN. 2

Our Temporary LED High Bay work lights are the ideal substitute for traditional HID lamps and luminaires. Designed for tough environments, they provide 360° illumination and will ensure that the work area is safe and properly illuminated. Their high efficacy will help reduce the number of luminaires needed. Additionally, the daisy chain feature enables the use of one outlet to power multiple luminaires.

### FEATURES AND SPECIFICATIONS

#### • Construction

##### Physical characteristics

- Aluminum protective cage
- 20 ft (6 m) power cord
- 18 AWG/3C
- NEMA 5-15

##### Mounting

- Hook or eyebolt
- Handle is removable to allow for installation of the included eyebolt

#### • Technical specifications

- Available in Cool White color temperature
- 80+ CRI
- Electrical Ratings: 120 V
- Estimated life of over 54 000 hours to L70
- 6 kV surge protection
- Operating temperature: -30°C to 60°C (-22°F to 140°F)
- Daisy Chain feature:
  - 100 W: Up to 6 luminaires
  - 150 W: Up to 4 luminaires

#### • Compliances

- cULus listed for damp locations
- Meets requirements of ICES-005 issue 5 class B for use in residential applications
- IP54



150 W

100 W



### OVERVIEW

Light source	LED
Watts (W)	100, 150
Lumen output (lm)	11 530, 17 380
Efficiency (lm/W)	115, 116
Color temperature (K)	Cool White
CRI	80+
Weight (lbs)	100 W: 3.66, 150 W: 4.28



quick ship



LED fixture



damp location



ICES 005



**QUICK SHIP AND TECHNICAL SPECIFICATION TABLE** 🕒<sup>1</sup>

Order code	Model number	Watts (W)	Volts (VAC)	Color temp. (K) <sup>2</sup>	Lumen output (lm) <sup>3</sup>	Efficiency (lm/W)	CRI	Life L70 (hrs) <sup>4</sup>	Beam angle (°)	Wire	Operating position	Case qty (master)
68700	THB-DSC-100W-CW	100	120	Cool White	11 530	115	80+	54 000	360	18 AWG / 3C	Universal	4
68701	THB-DSC-150W-CW	150	120	Cool White	17 380	116	80+	54 000	360	18 AWG / 3C	Universal	4

<sup>1</sup> **QUICK SHIP:** Product availability is subject to change without notice. Please contact your Stanpro customer service representative to confirm inventory levels at time of order.

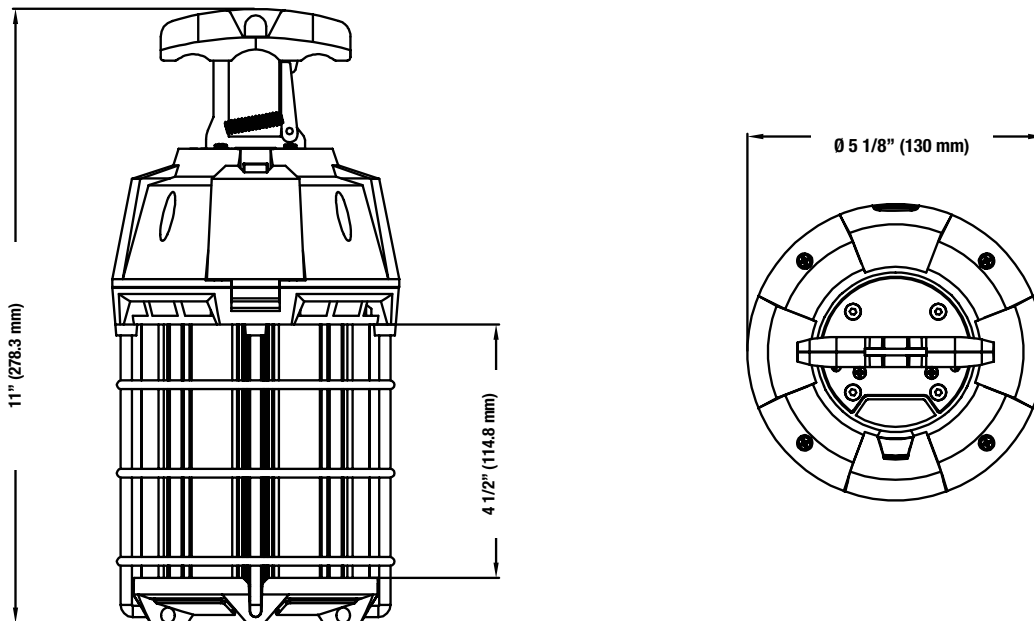
<sup>2</sup> Typical color temperature range: +/- 5 %.

<sup>3</sup> Lumen values are derived from photometric testing. Initial lumens range: +/- 10 %.

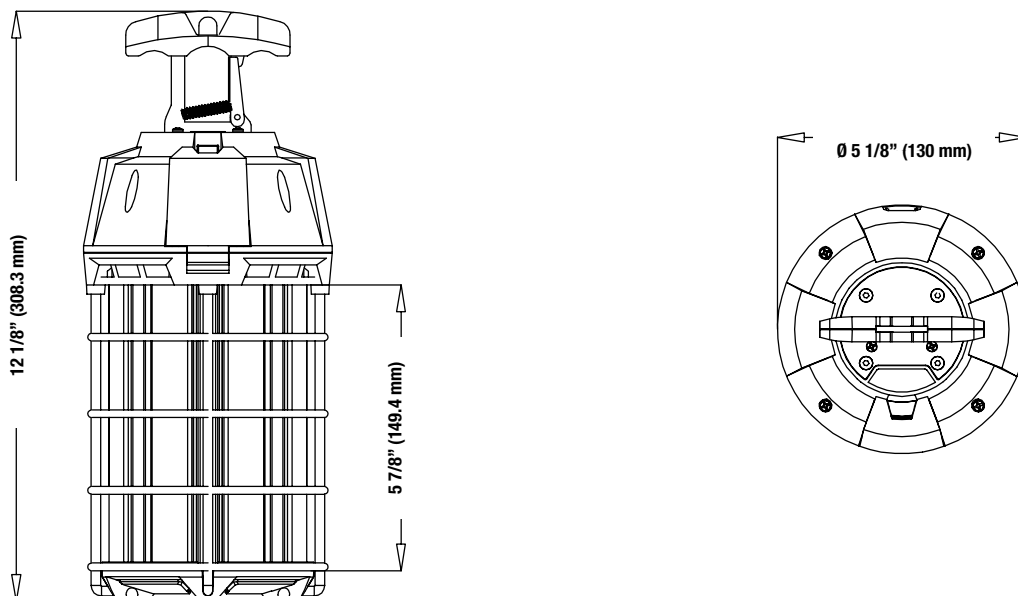
<sup>4</sup> Life hours are derived from IESNA LM-80-08 testing report and projected per IESNA TM-21-11 extrapolations.

**DIMENSIONS**

**100 W (68700)**



**150 W (68701)**

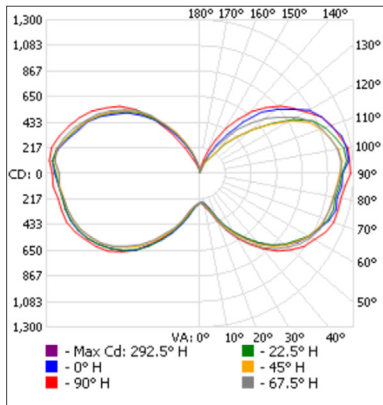


Data is based upon tests performed in a controlled environment. Actual performance can vary depending on operating conditions. All products are subject to change or may be discontinued any time without notice.

**PHOTOMETRIC DATA<sup>1</sup>**

**68700 • THB-DSC-100W-CW • 11 540.1 lm**

**Polar candela distribution**

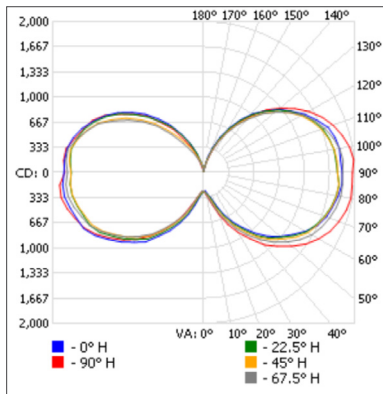


**Zonal lumen summary**

Zone	Lumens	% Fixture
0-30	369.2	3.2%
0-40	817.7	7.1%
0-60	2 436.5	21.1%
60-90	3 670.3	31.8%
70-100	3 901.7	33.8%
90-120	3 671.7	31.8%
0-90	6 106.8	52.9%
90-180	5 433.4	47.1%
0-180	11 540.1	100%

**68701 • THB-DSC-150W-CW • 17 396.0 lm**

**Polar candela distribution**



**Zonal lumen summary**

Zone	Lumens	% Fixture
0-30	462.0	2.7
0-40	1 080.0	6.2
0-60	3 426.5	19.7
60-90	5 644.2	32.4
70-100	5 954.5	34.2
90-120	5 497.5	31.6
0-90	9 070.7	52.1
90-180	8 325.3	47.9
0-180	17 396.0	100

<sup>1</sup> Complete IES files available on our website.

Data is based upon tests performed in a controlled environment. Actual performance can vary depending on operating conditions. All products are subject to change or may be discontinued any time without notice.