

## TG08N

### PAR20 – FRONT LOAD

50W max.

Front loaded economical PAR20 Gimbal style track head. Integral on/off switch and track polarity indicator come standard. The TG08N comes complete with J & J2 style track adapter. H & H2 style adapter available upon request. Suitable for ceiling-mounted tracks.

### FEATURES AND SPECIFICATIONS

#### • Construction

##### Material

Heavy duty housing designed for commercial use.

##### Aiming

The secure yoke provides precision aiming without the need for tools.

##### Lamps

- Incandescent or LED (lamp not included)
- Max 50W-E26 medium base PAR20 style lamp

##### Finishes

Heavy duty scratch resistant powder coated. Available in glossy white, black and silver.

##### Accessories

Line voltage extensions (12", 18", 24", 36") are available. Please refer to the "tracks and accessories" pages for ordering guide.

#### Adapter

Track heads with "J" adapter are classified to be used with Stanpro STJ track series, Juno T or TU track series and Prescolite TS or TT track series.

Track heads with "H" adapter are classified to be used with Cooper Lighting L641/2/3 track series.



### OVERVIEW

Watts (W)	50
Weight (lbs)	1.26

**1**<sup>yr</sup>  
**warranty**

  
**quick  
ship**



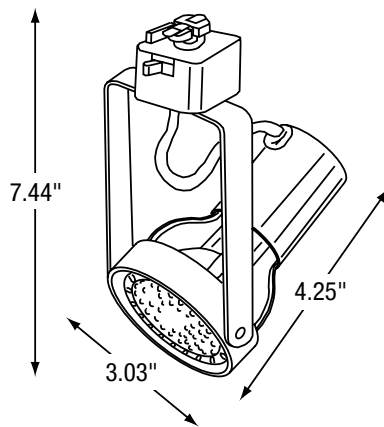
**ORDERING GUIDE**

TG08N	N	0050	A		
Series	Lamp type	Watts (W)	Volts (V)	Adapter	Finish
TG08N	N - Incandescent	0050 - 50 max	A - 120	J - J & J2 Track H - H & H2 Track <sup>1</sup>	BK - Black WH - White SI - Silver <sup>2</sup>

<sup>1</sup> Please contact factory for availability.

<sup>2</sup> For other options and availabilities please contact factory.

**DIMENSIONS**



Data is based upon tests performed in a controlled environment. Actual performance can vary depending on operating conditions. All products are subject to change or may be discontinued any time without notice.