

Series Spec Sheet

SWV

ARCHITECTURAL REMOTE

Recessed decorative remote heads

The SWV series of architectural remotes has an innovative compact design providing exceptional light output using LED lamps. The faceplate is made of metal providing great support. Adjustable heads are able to rotate 359° and tilt 90°. Available in 12V to 24V.

FEATURES AND SPECIFICATIONS

- **Mechanical**

- LED ultra bright light source
- Metal faceplate with metal heads
- Fully adjustable swivel (359° rotation and 90° tilt)
- 5W or 10W per head
- Voltage 12 to 24V
- 375 to 750 lumens (based on configuration)
- Up to 110 ft spacing (based on configuration)
- Wall or ceiling mount
- Drywall or T-bar installation
- Backbox and brackets provided
- Dry and damp location
- Available in White, Black, Brushed Nickel
- Operating temperature: +10 to +25 °C

- **Approvals**

- CSA Certified to C22.2 #141-15

- **Compliances**

- Meets requirements of ICES-005



ICES
005



OVERVIEW

Light source	LED
DC voltage (V DC)	12-24

TYPICAL SPECIFICATION



TYPICAL SPECIFICATION

The fully recessed adjustable gimbal double remote heads shall be suitable for either ceiling or wall mount, leaving only the lamp and compact trim plate visible. The fully recessed remote shall come complete with either 5w (375 lumens per gimbal) or 10w (750 lumens per gimbal) fully adjustable gimbal heads capable of rotating to 359 deg and aimed up to a 90 deg angle for maximum spacing. The LED's, lens and circuit boards shall be designed for the intent of Emergency Lighting to ensure extended life and maximum performance. Remote fixture shall be supplied with a backbox and brackets. The remote fixtures shall be certified to CSA 22.2 No.141-15 and be ICES005 compliant. The recessed remote unit shall be Stanpro model: SWV _____

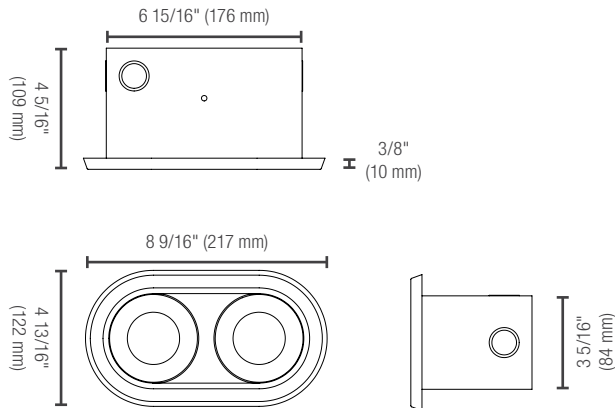
Data is based upon tests performed in a controlled environment. Actual performance can vary depending on operating conditions. All products are subject to change or may be discontinued any time without notice. Please contact your Stanpro customer service representative to confirm inventory levels at time of order.

ORDERING GUIDE

SWV	2			
Series	No. of heads	Volts (V DC operational)	Watts ¹ (W)	Colour
SWV	2 - Double head	12-24V - 12 to 24	5W - 5 10W - 10	WH - White BK - Black BN - Brushed Nickel

¹ Per head

DIMENSIONS



Spacing Guide

Mounting height	Spacing center to center (ft)	
	5W	10W
8 ft	55	110

Data is based upon tests performed in a controlled environment. Actual performance can vary depending on operating conditions. All products are subject to change or may be discontinued any time without notice. Please contact your Stanpro customer service representative to confirm inventory levels at time of order.