

Series Spec Sheet

SWN

“NOAH” WET LOCATION ANTI VANDAL REMOTE

Single or double

6V, 12V & 24V lamps in LED & Quartz

The SWN series of wet location anti vandal remotes is designed to perform in extreme environments. The single or double lamp assemblies are completely protected from the elements within a fully gasketed polycarbonate housing. Available in 6 V, 12 V or 24 V models, utilizing quartz halogen or LED (bi-pin based) lamps.

FEATURES AND SPECIFICATIONS

- **Electrical and circuitry**

- 6 VDC, 12 VDC or 24 VDC
- Quartz halogen lamps - bi-pin based
- LED lamps - bi-pin based

- **Mechanical**

- Polycarbonate enclosure is fully gasketed around lens and canopy to prevent water infiltration
- Stainless steel tamper proof screws and bits
- Wet location
- Lamps are fully adjustable
- Fully gasketed housing
- Available in white and black
- Universal spider knockout pattern stamped into backplate for junction box mounting

- **Ambient Temperature**

- -35°C to +40°C

- **Approvals**

- CSA Certified to C22.2 #141-15
- CSA Certified type 2, 3, 3R, 4, 4X, 5, 12 or 12K
- CSA Certified to NSF 2
- IP66

- **Compliance**

- Meets requirements of ICES-005



OVERVIEW

Light source	LED or Quartz halogen
Input voltage (VDC)	6, 12, 24

For complete warranty details, please see our terms and conditions on our website.



ORDERING GUIDE - LED

Series	Nbr of heads	Volts (VDC operational)	Watts (W)	Lamp type	Color
SWN	1 - Single head 2 - Double head	06-24V - 6 to 24	4W - 4	LR - LED	BK - Black
			5W - 5	LA - LED	WH - White
		12-24V - 12 to 24	6W - 6	LA - LED	
			7W - 7		

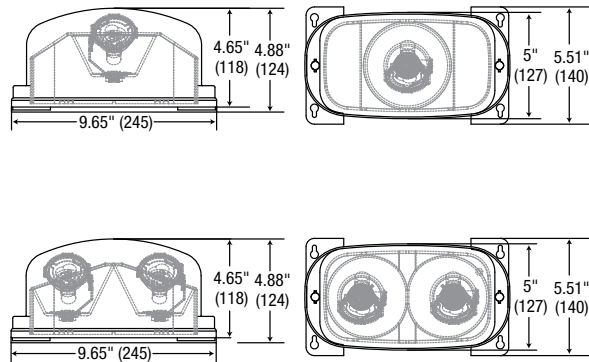
ORDERING GUIDE - INCANDESCENT

Series	Nbr of heads	Volts (VDC)	Lamp type	Color
SWN	1 - Single head 2 - Double head	06 - 6	See lamp selection chart	BK - Black
		12 - 12		WH - White
		24 - 24		

INCANDESCENT LAMP SELECTION

	6 V	12 V	24 V
Quartz halogen	10WQ	12WQ	12WQ

DIMENSIONS



SPACING GUIDE

Mounting height	Spacing center to center (ft)			
	4WLR	5WLA	6WLA	7WLA
8 ft	76	81	94	108
10 ft	79	79	93	106
15 ft	66	62	82	96
20 ft	53	49	73	87

Data is based upon tests performed in a controlled environment. Actual performance can vary depending on operating conditions. All products are subject to change or may be discontinued any time without notice.