

Series Spec Sheet

FLL

HIGH POWER FLOOD AND AREA LIGHTS CCT AND POWER SELECTABLE FEATURES

These high-power flood lights are designed with ease of installation due to the slide on feature for mounting options and they allow for optic interchangeability to suit different applications. The color temperature and the power can be changed on site by sliding the CCT selectable switches. For energy savings and enhanced safety, this product series comes with a 7 pin photocell receptacle for the ability to add a dusk till dawn photocell and includes a sensor adapter compatible with both smart and non-smart sensors. The FLL series is great for general lighting of grounds, storage yards, car dealerships, parking areas as well as flood lighting of signs and building facades.

FEATURES AND SPECIFICATIONS

• Construction

Physical Characteristics

- Die-cast aluminum housing, available in a black and bronze finish
- Housing design includes 2 front latches to facilitate the exchange of optic
- 7 pin photocell receptacle and a shorting cap included in all configurations
- CCT and Power select switches are located underneath the housing and are easily accessible on field
- Integrated sensor receptacle makes for easy plug-and-play installation of smart and non-smart sensors. No wiring required. Sensors are sold separately, see accessories table
- 1 meter of power cable to better facilitate the installation included in all configurations

Lens/Optic

- A frosted polycarbonate lens in a nema 7Hx7V distribution is standard for this series. Area lights optics are available as an accessory: II, III, IV and V.

Mounting

- Quick and easy installation with the following mounting accessories available:
 - Yoke
 - Trunnion
 - Slipfitter
 - Square/Round pole arm
 - Slipfitter with wall/pole mount adapter

• Performance data

- Available in 3 000, 4 000 and 5 000 K selectable color temperature
- 80+ CRI
- Electrical ratings: 120-347 V
- Estimated life of 100 000 hours to L70
- 0-10 V dimming standard
- Operating temperature: -40°C to 50°C (-40°F to 122°F)
- 10kV surge protection

• Compliances

- cULus listed for wet location
- Meets Class A for commercial applications
- IK08
- IP65
- 3G vibration resistant in compliance with ANSI/IEEE C136.31 standard for luminaire vibration

OVERVIEW

| | |
|-----------------------|--|
| Light source | LED |
| Watts (W) | 60/100/150 160/200/240/300 350/400/450 |
| Lumen output (lm) | 8 799 - 62 598 |
| Efficacy (lm/W) | 123 - 164 |
| Color temperature (K) | 3CCT (3 000/4 000/5 000) |
| CRI | 80+ |

Bronze



Black



IK08



QUICK SHIP AND TECHNICAL SPECIFICATION TABLE

| Order code | Model number | DLC unique ID | Watts | Volts | Color temp. | Lumen output | Efficacy | CRI | Life L70 | Tested hours LM-80 | Calculated TM21 | NEMA type ⁵ | B.U.G. | LED current | Finish | Power factor | THD | Traditional equivalent (W) | | Master case qty |
|---------------------------------|-------------------|---------------|-----------------|---------|-------------------|---------------------|----------|--------------------|--------------------|--------------------|-----------------|------------------------|----------|-------------|--------|--------------|------|----------------------------|-------|-----------------|
| | | | (W) | (VAC) | (K) ¹ | (lm) ²⁻³ | (lm/W) | (hrs) ⁴ | (hrs) ⁴ | (hrs) ⁴ | (mA) | (%) | MH | HPS | | | | | | |
| CCT and Power Selectable | | | | | | | | | | | | | | | | | | | | |
| 69796 | FLLS-PS150W-Q3CBR | S-FCQPYC | 60/100/150 | 120-347 | 3 000/4 000/5 000 | 22 137 | 148 | 80+ | 100 000 | 10 000 | >60 000 | 7H x 7V | B4-U0-G1 | 54.5 | Bronze | ≥0.9 | ≤20% | 400-1 000 | 400 | 1 |
| 69797 | FLLM-PS300W-Q3CBR | S-D2WTVR | 160/200/240/300 | 120-347 | 3 000/4 000/5 000 | 43 965 | 147 | 80+ | 100 000 | 10 000 | >60 000 | 7H x 7V | B5-U0-G2 | 54.5 | Bronze | ≥0.9 | ≤20% | 400-1 000 | 1 000 | 1 |
| 69798 | FLLL-PS450W-Q3CBR | S-ZXX81R | 350/400/450 | 120-347 | 3 000/4 000/5 000 | 62 645 | 139 | 80+ | 100 000 | 10 000 | >60 000 | 7H x 7V | B5-U0-G2 | 54.5 | Bronze | ≥0.9 | ≤20% | 1 000 | 1 000 | 1 |
| 69799 | FLLS-PS150W-Q3CBK | S-FCQPYC | 60/100/150 | 120-347 | 3 000/4 000/5 000 | 22 137 | 148 | 80+ | 100 000 | 10 000 | >60 000 | 7H x 7V | B4-U0-G1 | 54.5 | Black | ≥0.9 | ≤20% | 400-1 000 | 400 | 1 |
| 69800 | FLLM-PS300W-Q3CBK | S-D2WTVR | 160/200/240/300 | 120-347 | 3 000/4 000/5 000 | 43 965 | 147 | 80+ | 100 000 | 10 000 | >60 000 | 7H x 7V | B5-U0-G2 | 54.5 | Black | ≥0.9 | ≤20% | 400-1 000 | 1 000 | 1 |
| 69801 | FLLL-PS450W-Q3CBK | S-ZXX81R | 350/400/450 | 120-347 | 3 000/4 000/5 000 | 62 645 | 139 | 80+ | 100 000 | 10 000 | >60 000 | 7H x 7V | B5-U0-G2 | 54.5 | Black | ≥0.9 | ≤20% | 1 000 | 1 000 | 1 |

¹ Typical color temperature range: +/- 5 %.
² Lumen values are derived from photometric testing. Initial lumens range: +/- 10 %.
³ Lumen values are based on 4 000 K default programming. Please refer to the LUMEN SPECIFICATION TABLE for more details on other color temperatures.
⁴ Life hours are derived from IESNA LM-80 testing report and projected per IESNA TM-21 extrapolations.
⁵ Type II, III, IV and V distributions available. Refer to accessory table.

QUICK SHIP TECHNICAL SPECIFICATION TABLE

| Order code | Model numbers | Watts (W) | Nema Type | 3 000 K | | 4 000 K | | 5 000 K | |
|----------------|--|-----------|-----------|-------------------|-----------------|-------------------|-----------------|-------------------|-----------------|
| | | | | Lumen output (lm) | Efficacy (lm/W) | Lumen output (lm) | Efficacy (lm/W) | Lumen output (lm) | Efficacy (lm/W) |
| 69796 69799 | FLLS-PS150W-Q3CBR FLLS-PS150W-Q3CBK | 60 | 7H x 7V | 8 814 | 147 | 9 355 | 156 | 9 200 | 153 |
| | | 100 | | 14 480 | 145 | 15 801 | 158 | 15 441 | 154 |
| | | 150 | | 19 750 | 132 | 22 137 | 148 | 21 065 | 140 |
| 69797 69800 | FLLM-PS300W-Q3CBR FLLM-PS300W-Q3CBK | 160 | 7H x 7V | 24 047 | 150 | 26 182 | 164 | 25 918 | 162 |
| | | 200 | | 28 950 | 145 | 31 848 | 159 | 31 140 | 156 |
| | | 240 | | 32 848 | 137 | 36 562 | 152 | 35 338 | 147 |
| | | 300 | | 38 639 | 129 | 43 965 | 147 | 41 797 | 139 |
| 69798 69801 | FLLL-PS450W-Q3CBR FLLL-PS450W-Q3CBK | 350 | 7H x 7V | 45 589 | 130 | 50 140 | 143 | 48 900 | 140 |
| | | 400 | | 49 065 | 123 | 54 217 | 136 | 52 254 | 131 |
| | | 450 | | 56 253 | 125 | 62 645 | 139 | 59 665 | 133 |

DEFAULT PROGRAMMING
 69796 / 69799: 150 W / 4 000 K
 69797 / 69800: 300 W / 4 000 K
 69798 / 69801: 450 W / 4 000 K

Data is based upon tests performed in a controlled environment. Actual performance can vary depending on operating conditions. All products are subject to change or may be discontinued any time without notice. Please contact your Stanpro customer service representative to confirm inventory levels at time of order.

ACCESSORIES (order separately)

| Order code | Type | Finish | Compatible with | | | | | | | | | | | | | | | |
|--------------------|--|--|---------------------|--|-----|--------------|--------------------|---------------------------------------|-----|--------------------|--------------------|---|-----|--------------------|-------|--------------------------------------|-----|--------------------|
| 69823 | Glareshield for 150W models | Bronze | 69796 | | | | | | | | | | | | | | | |
| 69824 | Glareshield for 300W models | Bronze | 69797 | | | | | | | | | | | | | | | |
| 69825 | Glareshield for 450W models | Bronze | 69798 | | | | | | | | | | | | | | | |
| 69805 | Yoke mount for 150W models | Bronze | 69796 | | | | | | | | | | | | | | | |
| 69806 | Yoke mount for 300W models | Bronze | 69797 | | | | | | | | | | | | | | | |
| 69807 | Yoke mount for 450W models | Bronze | 69798 | | | | | | | | | | | | | | | |
| 69808 | Trunnion | Bronze | 69796, 69797, 69798 | | | | | | | | | | | | | | | |
| 69809 | Slipfitter for 150W and 300W models | Bronze | 69796, 69797 | | | | | | | | | | | | | | | |
| 69810 | Slipfitter for 450W models | Bronze | 69798 | | | | | | | | | | | | | | | |
| 69811 | Straight arm for square/round pole | Bronze | 69796, 69797, 69798 | | | | | | | | | | | | | | | |
| 69812 | Slipfitter with wall/pole mount adapter for 150W and 300W models | Bronze | 69796, 69797 | | | | | | | | | | | | | | | |
| 69813 | Slipfitter with wall/pole mount adapter for 450W models | Bronze | 69798 | | | | | | | | | | | | | | | |
| 69826 | Glareshield for 150W models | Black | 69799 | | | | | | | | | | | | | | | |
| 69827 | Glareshield for 300W models | Black | 69800 | | | | | | | | | | | | | | | |
| 69828 | Glareshield for 450W models | Black | 69801 | | | | | | | | | | | | | | | |
| 69814 | Yoke mount for 150W models | Black | 69799 | | | | | | | | | | | | | | | |
| 69815 | Yoke mount for 300W models | Black | 69800 | | | | | | | | | | | | | | | |
| 69816 | Yoke mount for 450W models | Black | 69801 | | | | | | | | | | | | | | | |
| 69817 | Trunnion | Black | 69799, 69800, 69801 | | | | | | | | | | | | | | | |
| 69818 | Slipfitter for 150W and 300W models | Black | 69799, 69800 | | | | | | | | | | | | | | | |
| 69819 | Slipfitter for 450W models | Black | 69801 | | | | | | | | | | | | | | | |
| 69820 | Straight arm for square/round pole | Black | 69799, 69800, 69801 | | | | | | | | | | | | | | | |
| 69821 | Slipfitter with wall/pole mount adapter for 150W and 300W models | Black | 69799, 69800 | | | | | | | | | | | | | | | |
| 69822 | Slipfitter with wall/pole mount adapter for 450W models | Black | 69801 | | | | | | | | | | | | | | | |
| 69829 | Type II distribution lens for 150W models | N/A | 69796, 69799 | | | | | | | | | | | | | | | |
| 69830 | Type III distribution lens for 150W models | N/A | 69796, 69799 | | | | | | | | | | | | | | | |
| 69831 | Type IV distribution lens for 150W models | N/A | 69796, 69799 | | | | | | | | | | | | | | | |
| 69832 | Type V distribution lens for 150W models | N/A | 69796, 69799 | | | | | | | | | | | | | | | |
| 69833 | Type II distribution lens for 300W models | N/A | 69797, 69800 | | | | | | | | | | | | | | | |
| 69834 | Type III distribution lens for 300W models | N/A | 69797, 69800 | | | | | | | | | | | | | | | |
| 69835 | Type IV distribution lens for 300W models | N/A | 69797, 69800 | | | | | | | | | | | | | | | |
| 69836 | Type V distribution lens for 300W models | N/A | 69797, 69800 | | | | | | | | | | | | | | | |
| 69837 | Type II distribution lens for 450W models | N/A | 69798, 69801 | | | | | | | | | | | | | | | |
| 69838 | Type III distribution lens for 450W models | N/A | 69798, 69801 | | | | | | | | | | | | | | | |
| 69839 | Type IV distribution lens for 450W models | N/A </tr <tr> <td>69840</td> <td>Type V distribution lens for 450W models</td> <td>N/A</td> <td>69798, 69801</td> </tr> <tr> <td>69640¹</td> <td>External PIR sensor kit OSI-EFS07-AUX</td> <td>N/A</td> <td>All configurations</td> </tr> <tr> <td>69444¹</td> <td>External High Frequency sensor kit EFS06R</td> <td>N/A</td> <td>All configurations</td> </tr> <tr> <td>69651</td> <td>Bluetooth Mesh PIR sensor OSI-PIR106</td> <td>N/A</td> <td>All configurations</td> </tr> | 69840 | Type V distribution lens for 450W models | N/A | 69798, 69801 | 69640 ¹ | External PIR sensor kit OSI-EFS07-AUX | N/A | All configurations | 69444 ¹ | External High Frequency sensor kit EFS06R | N/A | All configurations | 69651 | Bluetooth Mesh PIR sensor OSI-PIR106 | N/A | All configurations |
| 69840 | Type V distribution lens for 450W models | N/A | 69798, 69801 | | | | | | | | | | | | | | | |
| 69640 ¹ | External PIR sensor kit OSI-EFS07-AUX | N/A | All configurations | | | | | | | | | | | | | | | |
| 69444 ¹ | External High Frequency sensor kit EFS06R | N/A | All configurations | | | | | | | | | | | | | | | |
| 69651 | Bluetooth Mesh PIR sensor OSI-PIR106 | N/A | All configurations | | | | | | | | | | | | | | | |

¹ To change factory setting, purchase remote 69080 (sold separately)



Data is based upon tests performed in a controlled environment. Actual performance can vary depending on operating conditions. All products are subject to change or may be discontinued any time without notice. Please contact your Stanpro customer service representative to confirm inventory levels at time of order.

COMPATIBLE DIMMERS¹

| Brand | Model |
|---------|-------------------------|
| Lutron | NTSTV-DV, NFTV, DDTV,WH |
| Leviton | DS710, IP710 |
| Legrand | H4FBL3PW |

Dimming range: 0%-100%

¹ This table shows dimmers that have been tested and have demonstrated proper operation under normal conditions. Each installation being unique, various factors such as load, common neutrals or other electrical products on the circuit can, in certain instances, cause variance in system performance. Read and comply to the dimmer installation instructions. Consult dimming system manufacturer for additional support in operation. Some dimmers may require more than one product for stable operation. Stanpro recommends to use dimmers designed to work with LED products. Older dimmers designed for incandescent products may cause erratic operation.

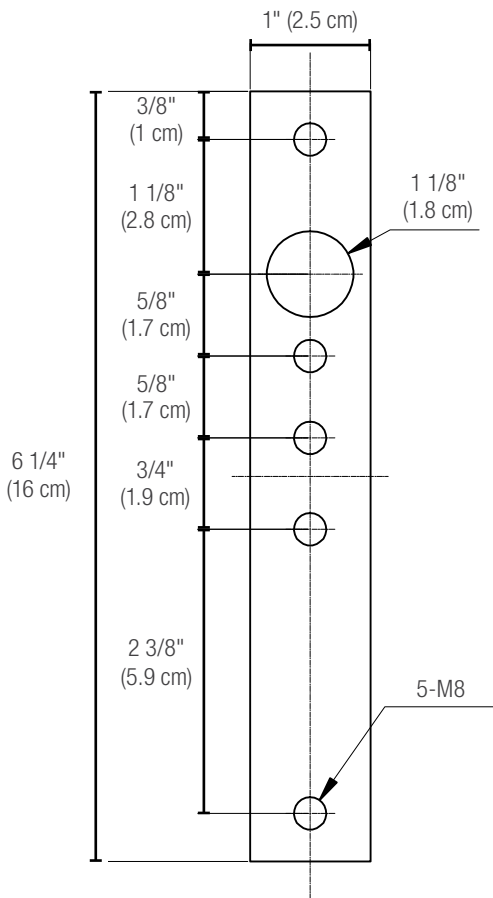
EPA

| Mounting type | Configuration | | | | | |
|-------------------------|---------------|--------|----------|---------|---------|---------|
| | | Single | 2 @ 180° | 2 @ 90° | 3 @ 90° | 4 @ 90° |
| Slipfitter ¹ | 150W | 0.48 | 0.96 | 0.56 | 0.96 | 0.96 |
| | 300W | 0.50 | 1.00 | 0.69 | 1.00 | 1.00 |
| | 450W | 0.64 | 1.29 | 0.84 | 1.29 | 1.29 |
| Square/Round Pole arm | 150W | 0.54 | 1.09 | 0.69 | 1.09 | 1.09 |
| | 300W | 0.61 | 1.22 | 0.82 | 1.22 | 1.22 |
| | 450W | 0.74 | 1.49 | 0.89 | 1.49 | 1.49 |

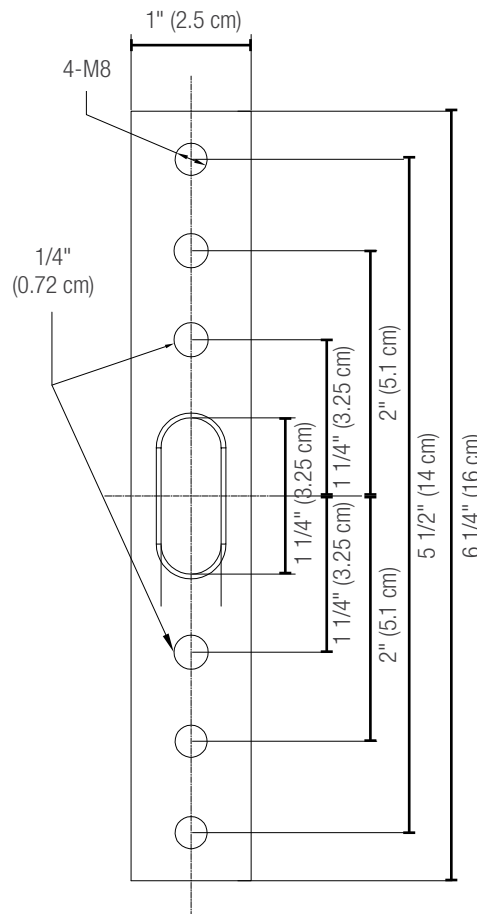
¹Based on 60° tilt.

DRILLING PATTERNS

Straight arm for square/round pole (69811, 69820)



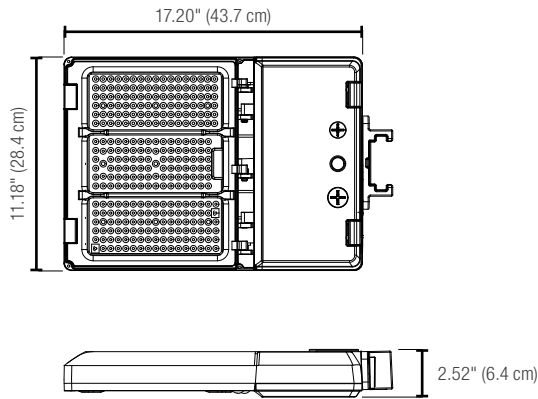
Slipfitter and wall/pole mount adapter (69812, 69813, 69821, 69822)



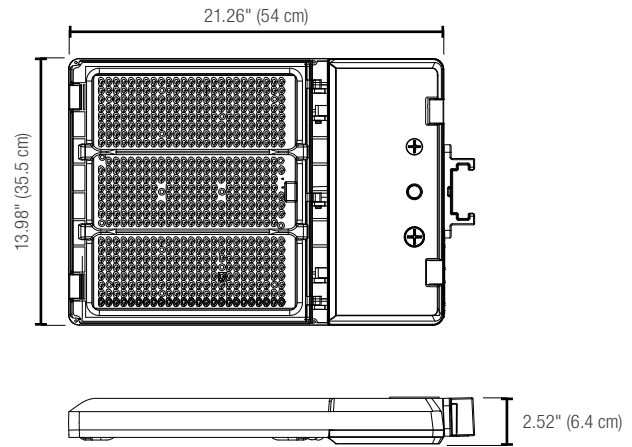
Data is based upon tests performed in a controlled environment. Actual performance can vary depending on operating conditions. All products are subject to change or may be discontinued any time without notice. Please contact your Stanpro customer service representative to confirm inventory levels at time of order.

DIMENSIONS AND WEIGHTS

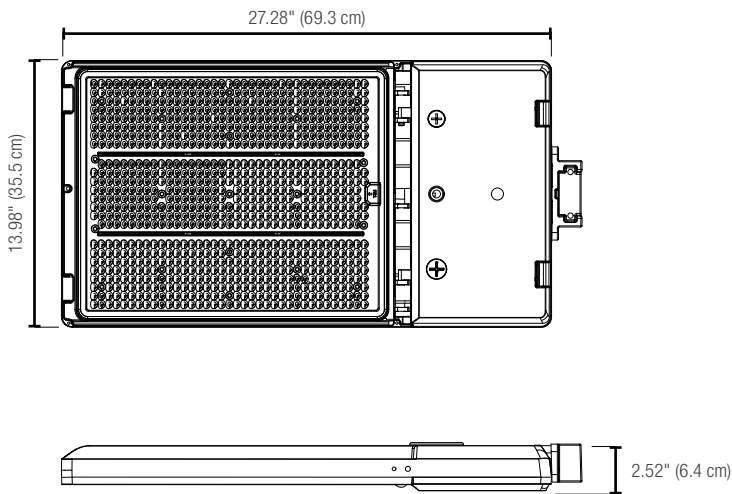
150 W



300 W



450 W



| | 150 W | 300 W | 450 W |
|------------------|-------|-------|-------|
| Net weight (lbs) | 9.17 | 11.63 | 15.88 |

Data is based upon tests performed in a controlled environment. Actual performance can vary depending on operating conditions. All products are subject to change or may be discontinued any time without notice. Please contact your Stanpro customer service representative to confirm inventory levels at time of order.

OCCUPANCY SENSORS

BI-LEVEL SENSORS

Detection - On at (Detection Area) % during (Hold Time) min., then (Stand-by Dim level) %

| Part Number | Position | Volt (V) | Technology | Height (Ft) | Detection Area (%) | Initial Brightness (%) | Sensitivity (%) | Hold Time (Min) | Stand-By Dim Level (%) | Stand-By Period (Min) | Remote1 | Location (°C) |
|-------------|----------|-------------------|-----------------|-------------|--------------------|------------------------|-------------------------------|-------------------------|------------------------|-----------------------|---------|--------------------------|
| 69444 | External | 120-347 (12 V DC) | High Frequency | 40 (max) | 100 | 50, 75, 100 | 0 (Off), 50 (Low), 100 (High) | 30s, 5min, 15min, 30min | 0, 10, 30, 50 | infinite | 69080 | Dry and Wet, -30 to +40 |
| 69640 | External | 120-347 (12 V DC) | PIR | 20-40 | 100 | 50, 75, 100 | 0 (Off), 50 (Low), 100 (High) | 30s, 5min, 15min, 30min | 0, 10, 30, 50 | Infinite | 69080 | Dry and Damp, -30 to +40 |
| 69651 | External | 120-347 (12 V DC) | Bluetooth & PIR | 40 (max) | 100 | See App Instructions | See App Instructions | See App Instructions | See App Instructions | See App Instructions | N/A | Dry and Damp, -30 to +40 |

Default settings: Brightness: 100%, hold time: 5min, stand-by dim: 50%, stand-by time: 30min, photocell: off, sensitivity: 100%

TRI-LEVEL SENSORS

Detection - On at (Detection Area) % during (Hold Time) min., then (Stand-by Dim level) % during (Stand-by time) min, then OFF

| Part Number | Position | Volt (V) | Technology | Height (Ft) | Detection Area (%) | Initial Brightness (%) | Sensitivity (%) | Hold Time (Min) | Stand-By Dim Level (%) | Stand-By Period (Min) | Remote1 | Location (°C) |
|-------------|----------|-------------------|-----------------|-------------|--------------------|------------------------|-------------------------------|-------------------------|------------------------|-----------------------|---------|--------------------------|
| 69640 | External | 120-347 (12 V DC) | PIR | 20-40 | 100 | 50, 75, 100 | 0 (Off), 50 (Low), 100 (High) | 30s, 5min, 15min, 30min | 0, 10, 30, 50 | Infinite | 69080 | Dry and Damp, -30 to +40 |
| 69651 | External | 120-347 (12 V DC) | Bluetooth & PIR | 40 (max) | 100 | See App Instructions | See App Instructions | See App Instructions | See App Instructions | See App Instructions | N/A | Dry and Damp, -30 to +40 |

Default settings: Brightness: 100%, hold time: 5min, stand-by dim: 50%, stand-by time: 30min, photocell: off, sensitivity: 100%

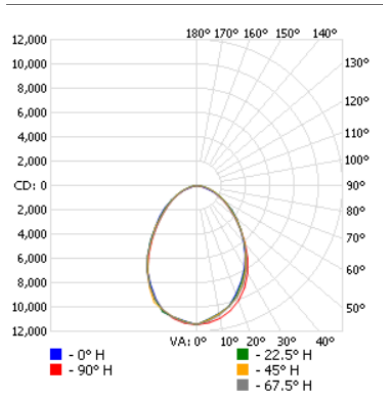
¹ To be ordered separately.

Data is based upon tests performed in a controlled environment. Actual performance can vary depending on operating conditions. All products are subject to change or may be discontinued any time without notice. Please contact your Stanpro customer service representative to confirm inventory levels at time of order.

PHOTOMETRIC DATA¹

69796_69799 • FLLS-PS150W-Q3CXX • 150 W • 4 000 K • 22 137 lm

Polar candela distribution



Zonal lumen summary

| Zone | Lumens | % Fixture |
|--------|-----------|-----------|
| 0-30 | 8 102.3 | 36.6 |
| 0-40 | 12 462.31 | 56.31 |
| 0-60 | 19 126.5 | 86.41 |
| 60-90 | 3 008.61 | 13.61 |
| 70-100 | 1 132.91 | 5.1 |
| 90-120 | 1.9 | 0 |
| 0-90 | 22 135.1 | 100 |
| 90-180 | 1.9 | 0 |
| 0-180 | 22 137.0 | 100 |

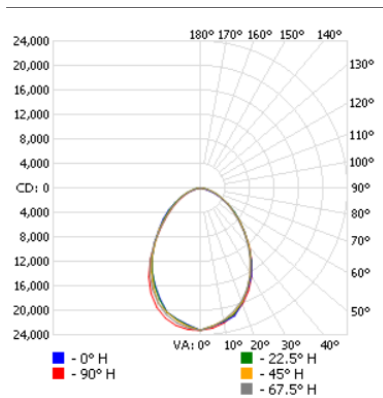
Illuminance at a distance

| Center beam fc | | Beam width | |
|----------------|------|------------|--------|
| 17' | 39.6 | 29.7' | 29.5' |
| 34' | 9.90 | 59.4' | 59.1' |
| 51' | 4.40 | 89.2' | 88.6' |
| 68' | 2.47 | 118.9' | 118.2' |
| 85' | 1.58 | 148.6' | 147.7' |
| 102' | 1.10 | 178.3' | 177.2' |

■ Vert. spread : 82.3°
■ Horiz. spread : 82.0°

69797_69800 • FLLM-PS300W-Q3CXX • 300 W • 4 000 K • 43 965 lm

Polar candela distribution



Zonal lumen summary

| Zone | Lumens | % Fixture |
|--------|----------|-----------|
| 0-30 | 16 482.5 | 37.5 |
| 0-40 | 25 325.5 | 57.6 |
| 0-60 | 38 469.4 | 87.5 |
| 60-90 | 5 491.8 | 12.5 |
| 70-100 | 1 984.3 | 4.5 |
| 90-120 | 3.4 | 0 |
| 0-90 | 43 961.2 | 100 |
| 90-180 | 3.4 | 0 |
| 0-180 | 43 964.6 | 100 |

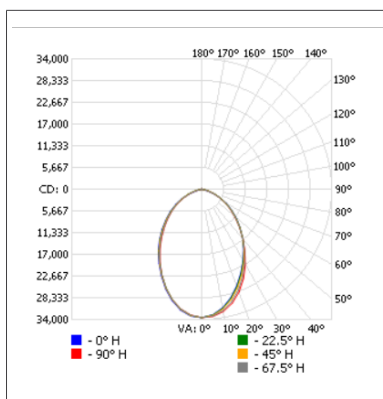
Illuminance at a distance

| Center beam fc | | Beam width | |
|----------------|------|------------|--------|
| 17' | 80.4 | 29.3' | 29.3' |
| 34' | 20.1 | 58.6' | 58.7' |
| 51' | 8.94 | 87.9' | 88.0' |
| 68' | 5.03 | 117.2' | 117.4' |
| 85' | 3.22 | 146.6' | 146.7' |
| 102' | 2.23 | 175.9' | 176.1' |

■ Vert. spread : 81.5°
■ Horiz. spread : 81.6°

69798_69801 • FLLL-PS450W-Q3CXX • 450 W • 4 000 K • 62 645 lm

Polar candela distribution



Zonal lumen summary

| Zone | Lumens | % Fixture |
|--------|----------|-----------|
| 0-30 | 22 968.7 | 36.7 |
| 0-40 | 35 135.6 | 56.1 |
| 0-60 | 54 572.0 | 87.1 |
| 60-90 | 7 875.2 | 12.6 |
| 70-100 | 2 556.7 | 4.1 |
| 90-120 | 35.3 | 0.1 |
| 0-90 | 62 447.2 | 99.7 |
| 90-180 | 197.7 | 0.3 |
| 0-180 | 62 644.9 | 100 |

Illuminance at a distance

| Center beam fc | | Beam width | |
|----------------|------|------------|--------|
| 17' | 116 | 28.8' | 28.1' |
| 34' | 29.0 | 57.7' | 56.3' |
| 51' | 12.9 | 86.5' | 84.4' |
| 68' | 7.24 | 115.3' | 112.6' |
| 85' | 4.64 | 144.1' | 140.7' |
| 102' | 3.22 | 173.0' | 168.9' |

■ Vert. spread : 80.6°
■ Horiz. spread : 79.2°

¹ Complete IES files available on our website.

Data is based upon tests performed in a controlled environment. Actual performance can vary depending on operating conditions. All products are subject to change or may be discontinued any time without notice. Please contact your Stanpro customer service representative to confirm inventory levels at time of order.