

## Series spec sheet

# SLC-MIV

## PURE-SINE WAVE IPS MINI-INVERTER

The SLC-MIV pure sine wave inverter represents a unique approach to power failure lighting applications. Pure sine wave inverters are ideal, as opposed to square or modified wave inverters, which will break down electronic ballasts and LED drivers prematurely. Stanpro's pure sine wave inverter was designed to run up to 1 440 W for 30 minutes on normally ON and OFF LED, CFL, fluorescent or incandescent lighting fixtures.

### FEATURES AND SPECIFICATIONS

#### • Construction

##### Normally OFF

By combining a battery unit and off-line inverter with superior 120 V or 347 V lighting performance for all types of lighting fixtures, the SLC-MIV provides exceptional power failure lighting. The typically configured battery unit is paired with an off-line, internally mounted, pure-sine wave inverter. When AC power is present there is no output and the connected fixtures are off, when the AC power fails, the unit outputs 120 V AC or 347 V AC to the connected lighting fixtures at 100% brightness.

##### Normally ON

This feature is easily activated by connecting a normally-ON lighting circuit to the unit. When AC power is present there is output and the connected lighting fixtures are on. When the AC power fails, the output is then transferring instantaneously to the power failure mode of the inverter and the connected lighting fixtures stay on.

#### • Electrical

- 120 V AC input / 120 V AC output or 347 V AC input / 347 V AC output
- Transfer time of 400ms
- Momentary push button test switch
- Diagnostic/pilot LEDs for AC ON and CHARGE
- Fully automatic, current limited charger
- Line latched, low voltage protection
- Brownout and short circuit protection

- Terminal block connectors for output load
- Dimming override control is standard
- Auto transfer switch for normally-on lighting circuit
- Maintenance free, sealed lead acid battery(s)

##### Overload protectors:

- **1 000 W:** Fuse allowing max load of 175 A and board protector with protection up to 1 100 W
- **1 440 W:** Fuse allowing max load of 175 A and board protector with protection up to 1 500 W
- **Optional automatic-testing, self-diagnostic charger:**
  - Continuously monitors the unit's status
  - Automatically performs battery load testing and auto-cycling at preset intervals
  - Indicates malfunctions or auto-test failures

#### • Mechanical

- 18 Gauge steel construction (cabinet A and B), 16 Gauge steel construction (cabinet C)
- Universal spider knockout pattern and keyhole mounting slots stamped into back of cabinet
- Multiple conduit entry knockouts
- Air intake and exhaust fan placed on the sides for 1 000 W and more
- White powder coat finish standard
- Separate battery compartment

#### • Approvals

- CSA certified to C22.2 #141-15



### OVERVIEW

Electrical	Normally ON and OFF
	120 V AC or 347 V AC input and output
Mechanical	Separate battery compartment
	Steel construction



## ORDERING GUIDE

<b>SLC-MIV</b>	—		—	<b>WH</b>	/	
Series	Input Voltage (V AC)	Capacity (W)	Color	Option		
SLC-MIV	A - 120 H - 347	320 - 320 500 - 500 1000 - 1 000 1440 - 1 440	WH - White	AT - Auto-test self-diagnostic (non audible)		

## ACCESSORY (order separately)

See dimension next page.

Part number	Type
SHELF001	Rigid 14 gauge free standing shelf (Available only with 1 000 W and 1 440 W)

## MINI INVERTER MODEL RATINGS

Model	Volts (V)	30 min.	60 min.	90 min.	120 min.	180 min.
SLC-MIV12320	12	320	180	125	110	75
SLC-MIV12500	12	500	280	125	175	125
SLC-MIV121000	12	1000	565	250	350	250
SLC-MIV121440	12	1440	850	380	525	375

## WEIGHT

### 120 V

Watts (W)	Cabinet	without battery(s) (lbs)	with battery(s) (lbs)
320	Cabinet B	29.2	53
500	Cabinet B	29.1	71
1 000	Cabinet C	61.3	145
1 440	Cabinet C	63.4	189

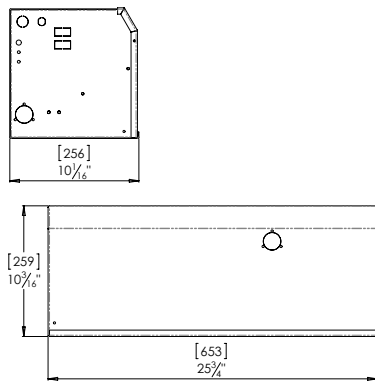
### 347 V

Watts (W)	Cabinet	without battery(s) (lbs)	with battery(s) (lbs)
320	Cabinet B	41.2	65
500	Cabinet B	42.1	84
1 000	Cabinet C	98.3	182
1 440	Cabinet C	100.4	226

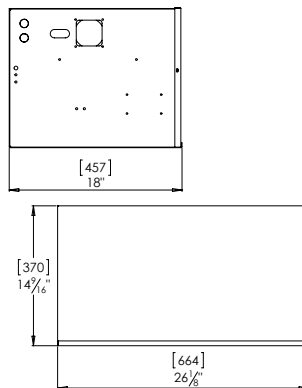
Data is based upon tests performed in a controlled environment. Actual performance can vary depending on operating conditions. All products are subject to change or may be discontinued any time without notice.

**DIMENSIONS**

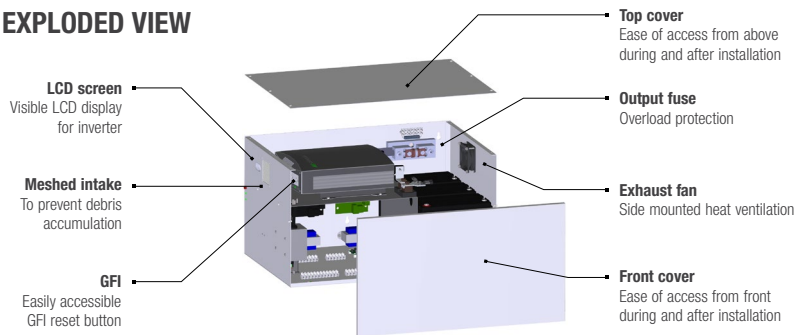
**Cabinet B**



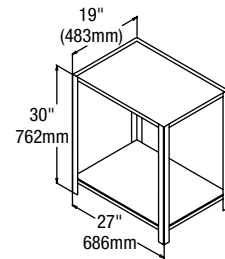
**Cabinet C**



**EXPLODED VIEW**



**SHELF001**



Data is based upon tests performed in a controlled environment. Actual performance can vary depending on operating conditions. All products are subject to change or may be discontinued any time without notice.