

Series Spec Sheet

RMPN

PLASTIC RUNNING MAN

LED 120/347 VAC Input

The RMPN series of commercial or decorative plastic running man signs is designed using durable and lightweight high impact thermoplastic.

FEATURES AND SPECIFICATIONS

• Circuitry - AC & AC/DC

- LED ultra bright light source
- 120/347 VAC Input, field selectable¹
- 120 V/0.28 A/2.30 W;
347 V/0.31 A/2.75 W max power consumption
- Emergency DC wattages as follows:
6 VDC = 1.42 W,
12 VDC = 1.42 W,
24 VDC = 1.42 W.

• Circuitry - Self-Powered

- LED ultra bright light source
- 120/347 VAC Input, field selectable¹
- 120 V/0.46 A/4.01 W;
347 V/0.37 A/3.51 W max power consumption
- Ambient temperature 10°C to 35°C
- High-performance, sealed Ni-Cad battery
- 90 Minutes emergency duration (standard)
- Solid state transfer and battery charger

• Mechanical

- High impact, UV stabilized, thermoplastic construction
- Quick snap faceplates and universal canopy for rapid and simple installation
- Flush wall mount backplate included

• Compliances

- CSA Certified to C22.2 #141.15, C860
- Meets requirements of ICES-005



quick
ship



LED
fixture



ICES
005

¹ Not recommended for generator applications. Please refer to the RMPS for this usage

For complete warranty details, please see our terms and conditions in our website

QUICK SHIP AND TECHNICAL SPECIFICATION TABLE 🕒¹

Part number	DC Volts (VDC)	Nbr of faces	Light source	Input Volts (VAC)	Color
RMPNOWH-IB	IB	Universal	LED	120/347	White
RMPNOWH-UDC	UDC	Universal	LED	120/347	White

¹ **QUICK SHIP:** Product availability is subject to change without notice. Please contact your Stanpro customer service representative to confirm inventory levels at time of order.

ACCESSORIES (order separately)

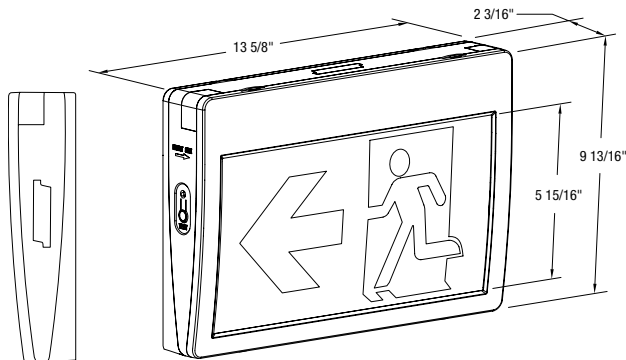
Part number	Type
FIBER-RMPN	Running man fiber no arrow

WIREGUARD

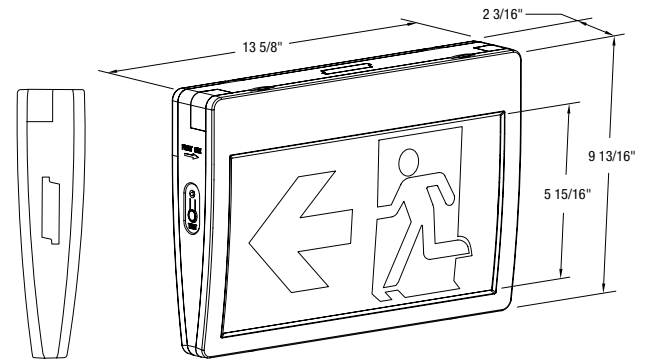
	Part number	Dimensions (in)
Ceiling mount	WGD540	14.5 x 10.5 x 6.25
Wall mount	WGD520	14 x 4.75 x 10
End mount	WGD650	13.75 x 16.5 x 12.25

DIMENSIONS

FLUSHED MOUNT



TAPERED MOUNT



CONFIGURATIONS



Comes standard with three pictogram legends for direction selection.



For double face no arrow options, please order the RMPN along with the following fiber: FIBER-RMPN

Data is based upon tests performed in a controlled environment. Actual performance can vary depending on operating conditions. All products are subject to change or may be discontinued any time without notice.