

Series Spec Sheet

PRMY

HAZARDOUS LOCATION RUNNING MAN COMBO

Class I, Division 1, Groups C & D

6 VDC, 12 VDC or 24 VDC Models 120 or 347 VAC Input

Designed to meet the strictest codes and standards, the PRMY series of hazardous location combination running man signs and battery units provides safe and dependable operation. The PRMY series housings are built with die cast, copper free aluminum, in Class I and Division 1 rated models. Available in 6, 12 or 24 VDC models in a range of capacities from 36 to 320 W, for 30 minutes duration.

FEATURES AND SPECIFICATIONS

• Circuitry - AC

- LED ultra bright light source
- Range of input voltages is 120 or 347 VAC field selectable
- 6 VDC, 12 VDC or 24 VDC emergency power output versions (as specified)
- Wattage capacities from 36 to 320 watts
- Power consumption for LED sign of 4.8 W
- Optional external momentary push button test switch
- Diagnostic/pilot LED for AC ON
- Fully automatic, current limited charger
- Brownout and short circuit protection
- Temperature compensated
- Large magnum terminal screw type connectors for remote load connection
- Maintenance free, sealed lead acid battery

• Mechanical

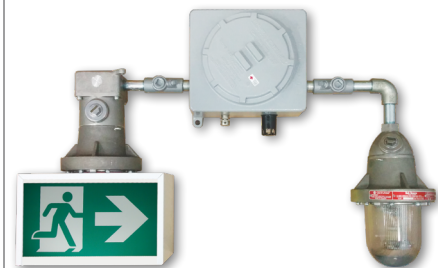
- Die cast, copper free aluminum housing - grey finish
- Solid state design and construction
- Housing cavity accessed via large circular screw on/off cover plate
- Standard stainless steel one-way breather valve for release of gases and/or moisture condensation
- Housing c/w tapped and plugged rigid holes
- Oversized integral mounting holes/forks accept heavy-duty mounting hardware
- Steel running man sign, white powder coat finish standard
- Temperature code: T6

• Approvals

- CSA Certified to C22.2 #137
- CSA Certified to C22.2 #141-15
- CSA Certified to C860-11
- Class I, Division 1, Groups C & D

• Compliance

- Meets requirements of ICES-005



OVERVIEW

| | |
|----------------------------|--------------|
| Light source | LED |
| Input voltage (VAC) | 120 or 347 |
| Sign Power consumption (W) | 4.8 |
| Sign DC consumption (W) | 3.4 |
| DC voltage (VDC) | 6, 12, or 24 |
| Output power (W) | 36 - 320 |

For complete warranty details, please see our terms and conditions on our website.



LED
fixture



hazardous
location



ICES
005



Energy-Verified
Energie-Vérfiée

ORDERING GUIDE

| PRMY | | | | 1 | 1 | CD | — 1R | | | / |
|--------|------------------------------|------------------------|------------------------------------|-------|------|--------|---------------------------------|--|--------------------------|--|
| Series | Volts (V) | Watts (W) | Nbr of faces | Class | Div. | Group | Head | Lamp/Head | Lamp | Options |
| PRMY | 06 - 6 12 - 12 24 - 24 | See model rating below | 1 - Single face 2 - Double face | 1 | 1 | C D | 0 - No head 1R - Single head | 1L - Single lamp assembly 2L - Double lamp assembly | See lamp selection below | RFS - Radio frequency suppression (specify AC voltage) 0 - No indicators (double face only) ↓ ↑ ↗ ↘ ↙ ↘ D U UR DR DL UL |

LAMP SELECTION

| MR16 | 6 V | 12 V | 24 V |
|------|----------|--------------------|--------------------|
| LED | 4LR, 5LA | 4LR, 5LA, 6LA, 7LA | 4LR, 5LA, 6LA, 7LA |

LUMEN TABLE

| Watts | Lumens |
|-------|--------|
| 4W LR | 388 |
| 5W LA | 435 |
| 6W LA | 507 |
| 7W LA | 652 |

MODEL RATINGS

| Model | Volts (V) | Wattage capacities (W) | | | | Housing dimensions (in.) |
|-----------|-----------|------------------------|---------|---------|----------|--------------------------|
| | | 30 min. | 60 min. | 90 min. | 120 min. | |
| PRMY06036 | 6 | 36 | 18 | 12 | 9 | A : 10.63 x 9.25 x 6.75 |
| PRMY06050 | 6 | 50 | 25 | 16 | 12 | A : 10.63 x 9.25 x 6.75 |
| PRMY06072 | 6 | 72 | 36 | 24 | 18 | A : 10.63 x 9.25 x 6.75 |
| PRMY12036 | 12 | 36 | 18 | 12 | 9 | A : 10.63 x 9.25 x 6.75 |
| PRMY12050 | 12 | 50 | 25 | 16 | 12 | A : 10.63 x 9.25 x 6.75 |
| PRMY12072 | 12 | 72 | 36 | 24 | 18 | A : 10.63 x 9.25 x 6.75 |
| PRMY12100 | 12 | 100 | 50 | 33 | 25 | B : 12.44 x 12.44 x 8.44 |
| PRMY12160 | 12 | 160 | 80 | 55 | 40 | B : 12.44 x 12.44 x 8.44 |
| PRMY12200 | 12 | 200 | 100 | 75 | 50 | B : 12.44 x 12.44 x 8.44 |
| PRMY24144 | 24 | 144 | 72 | 48 | 36 | B : 12.44 x 12.44 x 8.44 |
| PRMY24320 | 24 | 320 | 160 | 106 | 80 | B : 12.44 x 12.44 x 8.44 |

SPACING GUIDE

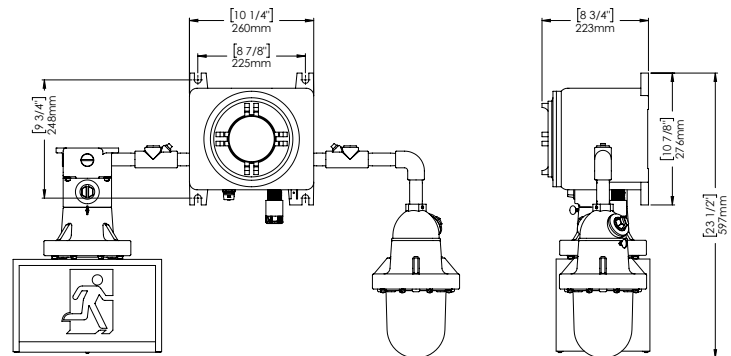
| Mounting height | Spacing center to center (ft) | | | |
|-----------------|-------------------------------|-----|-----|-----|
| | 4LR | 5LA | 6LA | 7LA |
| 8 ft | 76 | 81 | 94 | 108 |
| 10 ft | 79 | 79 | 93 | 106 |
| 15 ft | 66 | 62 | 82 | 96 |
| 20 ft | 53 | 49 | 73 | 87 |

CONFIGURATION

Comes standard (single face) with three pictogram



DIMENSIONS



HOUSING DIMENSIONS

A - 10.63" x 9.25" x 6.75"
B - 12.44" x 12.44" x 8.44"

Data is based upon tests performed in a controlled environment. Actual performance can vary depending on operating conditions. All products are subject to change or may be discontinued any time without notice.