

Series Spec Sheet

MULTI-MOUNT EDGELIT

LED CEILING LUMINAIRE 3 CCT SELECTABLE SURFACE OR SUSPENDED

With a minimalist look in either white or black finish, our Multi-Mount EDGELIT is a versatile solution that blends modern simplicity with well thought-out features. Our luminaire offers the advantage of an integrated 3 color temperature selection as well as different mounting options. Enjoy this luminaire flush mounted (standard) or, semi-flush and pendant when used with our compatible stem kit. Our Multi-Mount EDGELIT is an ideal lighting solution for both commercial and decorative residential applications such as kitchens, living rooms, offices and more!

FEATURES AND SPECIFICATIONS

• Construction

Physical Characteristics

- Polycarbonate housing
- Available finishes: white, black
- Frosted polystyrene lens
- Available size: 16"
- The CCT switch is placed on the back of the luminaire

Mounting

- Surface or suspended (see accessories)
- Easy twist-lock installation

• Compliances

- cETLus listed for damp locations
- Energy Star
- Meets requirements of ICES-005 issue 5 class B for use in residential applications

• Performance data

- Available in 3 000/3 500/4 000 K selectable color temperature
- 80+ CRI
- Electrical ratings: 120 V
- Estimated life of over 50 000 hours to L70
- Phase cut (ELV / Triac) dimming standard
- Operating temperature:
 - 10 °C to 40°C (14 °F to 104 °F)

OVERVIEW

Light source	LED
Watts (W)	30
Lumen output (lm)	2 071 - 2 420
Efficacy (lm/W)	69 - 81
Color temperature (K)	3 000/3 500/4 000
CRI	80+



QUICK SHIP AND TECHNICAL SPECIFICATION TABLE 

Order code	Model number	Watts	Volts	Color temp.	Lumen output	Efficacy	CRI	Life L70	Beam angle	Shape	Finish	Dimming	Power factor	Master case qty
		(W)	(VAC)	(K) ¹	(lm) ^{2,3}	(lm/W)		(hrs) ⁴	(°)			(Yes/No)		
3 CCT Selectable														
16"														
69183	CLEG16-R30W-A-3CWH	30	120	3 000/3 500/4 000	2 120	71	80+	50 000	120	Round	White	Yes	≥0.90	10
69184	CLEG16-R30W-A-3CBK	30	120	3 000/3 500/4 000	2 120	71	80+	50 000	120	Round	Black	Yes	≥0.90	10

¹ Typical color temperature range: +/- 5 %.

² Lumen values are derived from Energy Star reported data. Initial lumens range: +/- 10 %.

³ Life hours are derived from IESNA LM-80-08 testing report and projected per IESNA TM-21-11 extrapolations.

LUMEN SPECIFICATION TABLE

Order code	Model number	Watts (W)	3 000 K		3 500 K		4 000 K	
			Lumen output (lm)	Efficacy (lm/W)	Lumen output (lm)	Efficacy (lm/W)	Lumen output (lm)	Efficacy (lm/W)
69183	CLEG16-R30W-A-3CWH	30	2 071	69	2 420	81	2 275	76
69184	CLEG16-R30W-A-3CBK	30	2 071	69	2 420	81	2 275	76

DEFAULT PROGRAMMING

3 000 K

ACCESSORIES (order separately)

Order code	Model number	Type	Finish	Length (in)	Compatible with	Master case qty	Figure
69185	4.4FT STEM SUSP. KIT FOR CLEG16 WHITE	Stem suspension kit - adjustable length	White	6 - 53 1/8	69183	10	A
69186	4.4FT STEM SUSP. KIT FOR CLEG16 BLACK	Stem suspension kit - adjustable length	Black	6 - 53 1/8	69184	10	B

¹ Includes mounting bracket, canopy, stem and wires assembly and, hardware bag.



COMPATIBLE DIMMERS¹

16"	
Brand	Model
Cooper	SLC03P
Leviton	IPL06, 6674, DSL06-1ZL, DSM10-1LZ, IPE04-1LZ
Lutron	PD-5NE, PD-6WCL, RRD-6NA-WH, AAL06, DVCL-153P, CTCL-153P, DVCL-253P, AYCL-253P, MACL-153P

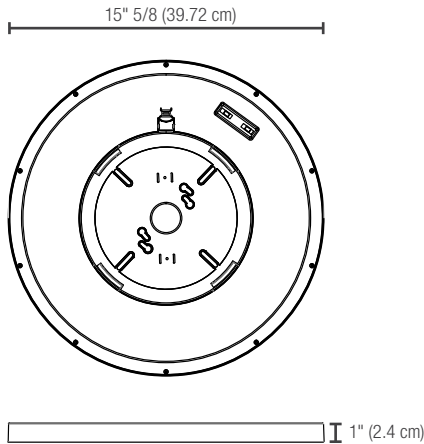
Dimming range: 5%-100%

¹ This table shows dimmers that have been tested and have demonstrated proper operation under normal conditions. Each installation being unique, various factors such as load, common neutrals or other electrical products on the circuit can, in certain instances, cause variance in system performance. Read and comply to the dimmer installation instructions. Consult dimming system manufacturer for additional support in operation. Some dimmers may require more than one product for stable operation. Stanpro recommends to use dimmers designed to work with LED products. Older dimmers designed for incandescent products may cause erratic operation.

Data is based upon tests performed in a controlled environment. Actual performance can vary depending on operating conditions. All products are subject to change or may be discontinued any time without notice. Please contact your Stanpro customer service representative to confirm inventory levels at time of order.

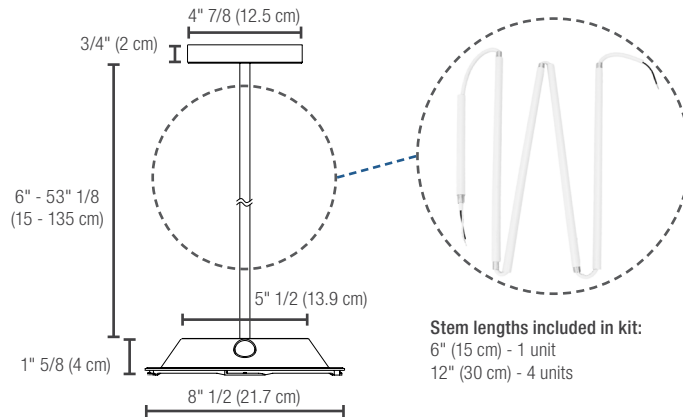
DIMENSIONS AND WEIGHTS

Luminaire



	16"
Net weight (lbs)	2.76

Stem suspension kit

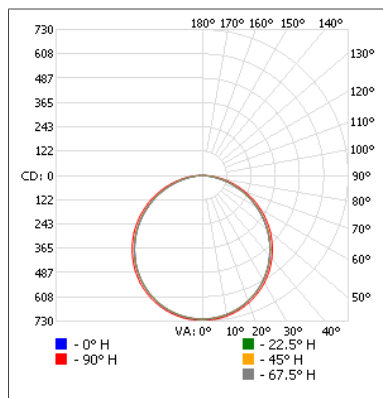


Stem lengths included in kit:
 6" (15 cm) - 1 unit
 12" (30 cm) - 4 units

PHOTOMETRIC DATA¹

69183 • CLEG16-R30W-A-3CWH • 30 W • 3 000 K • 2 071.0 lm

Polar candela distribution



Zonal lumen summary

Zone	Lumens	% Fixture
0-30	559.3	27
0-40	916.4	44.2
0-60	1 621.3	78.3
60-90	449.7	21.7
0-90	2 071.0	100

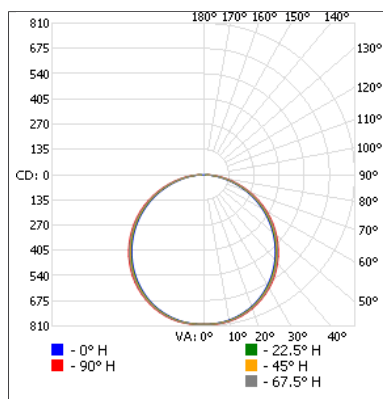
Illuminance at a distance

Center beam fc		Beam width	
1.7'	249	5.0'	5.4'
3.3'	66.2	9.7'	10.4'
5.0'	28.8	14.7'	15.8'
6.7'	16.1	19.6'	21.2'
8.3'	10.5	24.3'	26.3'
10.0'	7.21	29.3'	31.6'

■ Vert. spread: 111.4°
■ Horiz. spread: 115.4°

69183 • CLEG16-R30W-A-3CWH • 30 W • 3 500 K • 2 419.6 lm

Polar candela distribution



Zonal lumen summary

Zone	Lumens	% Fixture
0-30	631.0	26.1
0-40	1 038.7	42.9
0-60	1 858.0	76.8
60-90	561.6	23.2
0-90	2 419.6	100

Illuminance at a distance

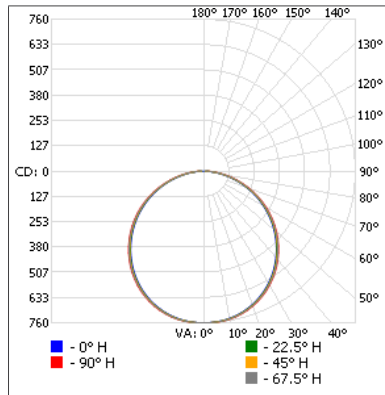
Center beam fc		Beam width	
1.7'	277	5.2'	5.7'
3.3'	73.4	10.2'	11.1'
5.0'	32.0	15.4'	16.7'
6.7'	17.8	20.6'	22.4'
8.3'	11.6	25.5'	27.8'
10.0'	8.00	30.8'	33.5'

■ Vert. spread: 113.9°
■ Horiz. spread: 118.3°

PHOTOMETRIC DATA¹

69183 • CLEG16-R30W-A-3CWH • 30 W • 4 000 K • 2 274.9 lm

Polar candela distribution



Zonal lumen summary

Zone	Lumens	% Fixture
0-30	597.1	26.2
0-40	982.1	43.2
0-60	1 753.4	77.1
60-90	521.6	22.9
0-90	2 274.9	100

Illuminance at a distance

Center beam fc		Beam width	
1.7'	262	5.2'	5.6'
3.3'	69.7	10.2'	10.8'
5.0'	30.3	15.4'	16.3'
6.7'	16.9	20.7'	21.9'
8.3'	11.0	25.6'	27.1'
10.0'	7.59	30.9'	32.7'

■ Vert. spread: 114.1°
■ Horiz. spread: 117.0°

¹ Complete IES files available on our website.

Data is based upon tests performed in a controlled environment. Actual performance can vary depending on operating conditions. All products are subject to change or may be discontinued any time without notice. Please contact your Stanpro customer service representative to confirm inventory levels at time of order.