

Series Spec Sheet

LPHBB

LED ROUND HIGH BAY BELL SHAPE

150 W, 200 W

The LED bell shape high bay is a direct retrofit solution for incumbent HID and fluorescent lamps that provides additional benefits of energy savings and significantly reduced maintenance costs. IP65 rated, these can be used where dust and water spray may be present, and can be sprayed down.

FEATURES AND SPECIFICATIONS

• Applications

- Manufacturing
- Aircraft hangars
- Warehouses
- Convention centers

• Construction

Housing

- Pure aluminum heat sinks grey or black
- 10' power cable standard

Lens

Frosted polycarbonate lens to eliminate glare
Beam angle standard 120°. Optional reflectors in 60°, 70° and 90°

Mounting

Hook mount standard

• Technical specifications

Driver

- 0-10 V dimming standard

Ambient temperature

-40° to +60°C

• Compliances

- Suitable for damp and wet location
- IP65
- Meets requirements of ICES-005
- cULus

OVERVIEW

Light source	LED
Watts (W)	148 - 203
Lumen output (lm)	19 298 - 26 491
Efficiency (lm/W)	130 - 132
Color temperature (K)	4 000, 5 000
CRI	80+
Weight (lbs)	10.52 - 14.33



120-277 V



347 V

10
yrs
PR warranty



quick
ship



LED
fixture



wet
location



ICES
005



QUICK SHIP AND TECHNICAL SPECIFICATION TABLE  ¹

Order code	Description	Watts (W)	Volts (VAC)	Color temp. (K) ²	Lumen output (lm) ³	Efficiency (lm/W)	CRI	Life L70 (hrs) ⁴	Tested hours LM-80 (hrs) ⁴	Dimming (V)	Finish color	Power factor	THD (%)
65388	LPHBB/S3/150W/40K/2/DD1/FP/STD	148	120-277	4 000	19 395	131	80+	340 000	10 000	0-10	Grey	0.93	14

¹ **QUICK SHIP:** Product availability is subject to change without notice. Please contact your Stanpro customer service representative to confirm inventory levels at time of order.

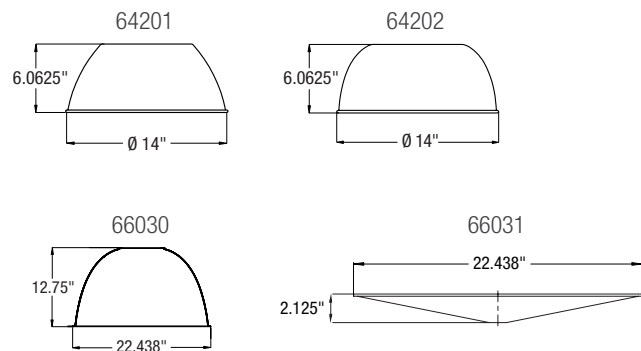
² Typical color temperature range: +/- 5 %.

³ Lumen values are derived from photometric testing. Initial lumens range: +/- 10 %.

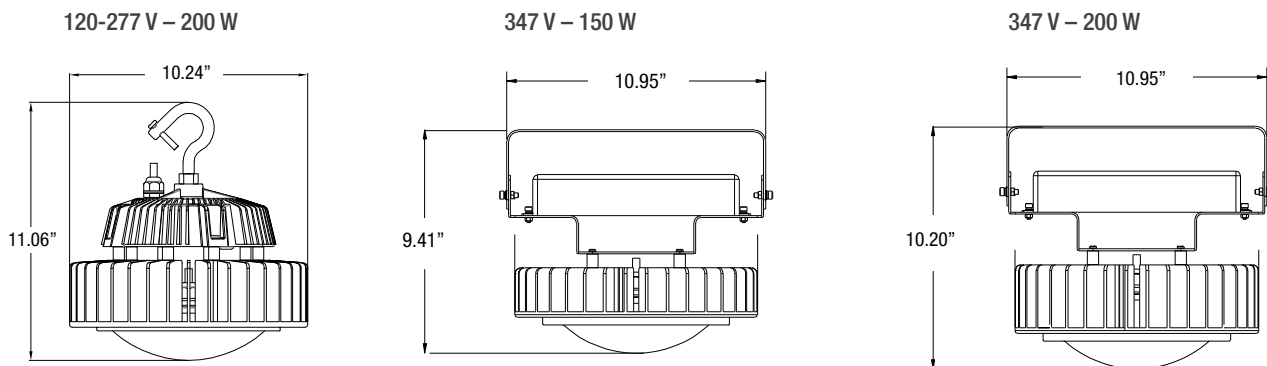
⁴ Life hours are derived from IESNA LM-80-08 testing report and projected per IESNA TM-21-11 extrapolations.

ACCESSORIES (order separately)

Part number	Description	Type
64201	LHBB/ALR60/STD	Aluminum reflector 60°
64202	LHBB/ALR90/STD	Aluminum reflector 90°
66030	LPHBB/ACR60/22IN/STD	Clear acrylic reflector 60°
66031	LPHBB/ACR/LENS/22IN/STD	Clear acrylic lens



DIMENSIONS



Data is based upon tests performed in a controlled environment. Actual performance can vary depending on operating conditions. All products are subject to change or may be discontinued any time without notice.