

LFL-S2 FLOOD LIGHT

The LFL-S2 luminaires are perfect for various applications such as wall washing, lighting pathways, landscape or signage lighting. They are offered in multiple wattages to fit both residential and commercial uses, and have a wide flood distribution for a large and uniform light pattern.

FEATURES AND SPECIFICATIONS

• Construction

Housing

Diecast aluminum housing comes standard in a black, bronze and white powder coat finish.

Mounting

The fixture comes with either a knuckle mount or a yoke mount.

Lens

Polycarbonate lens is standard in this product series.

• Electrical

- The drivers allow input from 120-277 V and is reliable in the coldest of temperatures
- This flood is suitable for ambient temperature range of -40 à 50 °C
- Available in 3 000 and 4 000 K color temperatures with a lumen per watt ratio of 104 to 117 lm/W depending on the lumen package

• Compliances

- IP65
- Wet location
- Meets requirements of ICES-005 issue 4 for class B products
- cULus

OVERVIEW

Light source	LED
Watts (W)	10 - 50
Lumen output (lm)	900 - 6 000
Efficacy (lm/W)	104 - 117
Color temperature (K)	3 000, 4 000
CRI	70, 80



quick
ship



LED
fixture



wet
location



ICES
005



Not all products are qualified on the DLC QPL. To view our DLC qualified products, please consult the DLC Qualified Products List at www.designlights.org/search.

QUICK SHIP AND TECHNICAL SPECIFICATION TABLE 🕒¹

Order code	Model number	Watts	Volts	Color temp.	Lumen output	Efficiency	CRI	Life L70	NEMA type	Finish	LED current	Power factor	THD (%)	Traditional equivalent (W)		Case qty (master)
		(W)	(V AC)	(K) ²	(lm) ³	(lm/W)	(hrs) ⁴				(mA)			MH	HPS	
YOKE																
65591	LFL/S2/30W/40K/YK/120-277/BRZ/STD	30	120-277	4 000	3 400	113	80	50 000	7H X 7V	Bronze	520	0.99	11.39	100	70	6
KNUCKLE																
65583	LFL/S2/12W/30K/KN/120-277/BRZ/STD	10	120-277	3 000	900	106	70	50 000	7H X 6V	Bronze	150	0.99	11.34	50	35	8
65584	LFL/S2/12W/30K/KN/120-277/WH/STD	10	120-277	3 000	900	106	70	50 000	7H X 6V	White	150	0.99	11.34	50	35	8
65587	LFL/S2/12W/40K/KN/120-277/WH/STD	12	120-277	4 000	1 400	114	80	50 000	7H X 6V	White	150	0.99	11.34	50	35	12
65588	LFL/S2/12W/40K/KN/120-277/BLK/STD	12	120-277	4 000	1 400	114	80	50 000	7H X 6V	Black	150	0.99	11.34	50	35	12
65592	LFL/S2/50W/40K/KN/120-277/BRZ/STD	50	120-277	4 000	6 000	117	80	50 000	7H X 7V	Bronze	520	0.99	16.04	175	150	6

¹ **QUICK SHIP:** Product availability is subject to change without notice. Please contact your Stanpro customer service representative to confirm inventory levels at time of order.

² Typical color temperature range: +/- 5 %.

³ Lumen values are derived from photometric testing. Initial lumens range: +/- 10 %.

⁴ Life hours are derived from IESNA LM-80-08 testing report and projected per IESNA TM-21-11 extrapolations.

ACCESSORIES (order separately)

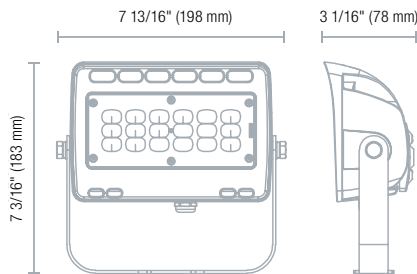
Order code	Model number	Type	Finish	Compatible with
64150 ¹	KN/ACC/WPCOVER/BRZ/STD	Weather proof cover plate	Bronze	65583, 65592
64208 ¹	KN/ACC/WPCOVER/WH/STD	Weather proof cover plate	White	64217, 65587
64209 ¹	KN/ACC/WPCOVER/BLK/STD	Weather proof cover plate	Black	65588

¹ 2 screws (10/24") and foam plate included with weather proof cover plate.

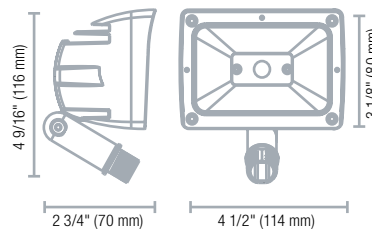


DIMENSIONS

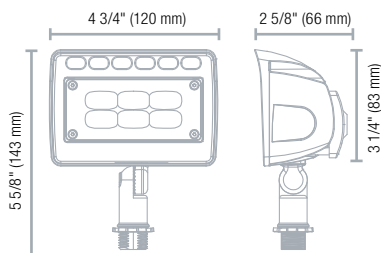
YOKE 30 W



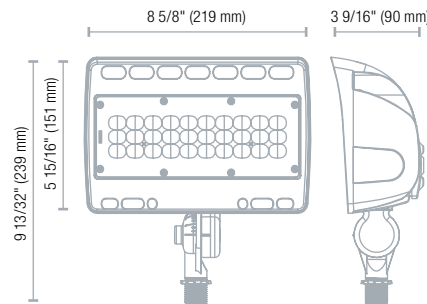
KNUCKLE 10 W



KNUCKLE 12 W



KNUCKLE 50 W

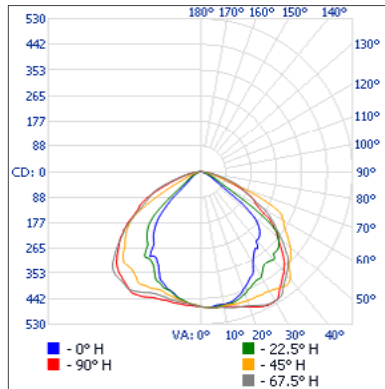


Data is based upon tests performed in a controlled environment. Actual performance can vary depending on operating conditions. All products are subject to change or may be discontinued any time without notice.

PHOTOMETRIC DATA¹

65583 • 1 302.3 lm

Polar candela distribution



Zonal lumen summary

Zone	Lumens	% Fixture
0-30	379.9	29.2%
0-40	642.5	49.3%
0-60	1 129.4	86.7%
60-90	172.8	13.3%
70-100	54.0	4.1%
90-120	0.1	0%
0-90	1 302.2	100%
90-180	0.1	0%
0-180	1 302.3	100%

Illuminance at a distance

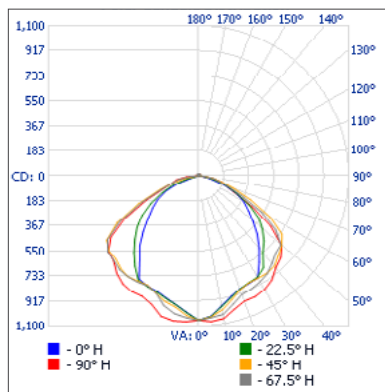
Center beam fc	Beam width
8.3'	6.81 fc
16.7'	1.68 fc
25.0'	0.75 fc
33.3'	0.42 fc
41.7'	0.27 fc
50.0'	0.19 fc

Beam width	Beam width
18.1'	26.6'
36.4'	53.3'
54.6'	79.8'
72.7'	106.3'
91.0'	133.1'
109.1'	159.6'

Vert. spread: 95.0°
 Horiz. spread: 115.9°

65591 • 3 147.2 lm

Polar candela distribution



Zonal lumen summary

Zone	Lumens	% Lamp	% Fixture
0-30	787.7	25%	25%
0-40	1 330.1	42.2%	42.3%
0-60	2 509.8	79.7%	79.7%
60-90	582.9	18.5%	18.5%
70-100	214.8	6.8%	6.8%
90-120	16.9	0.5%	0.5%
0-90	3 092.7	98.2%	98.3%
90-180	54.5	1.7%	1.7%
0-180	3 147.2	99.9%	100%

Illuminance at a distance

Center beam fc	Beam width
8.3'	15.4 fc
16.7'	3.80 fc
25.0'	1.69 fc
33.3'	0.96 fc
41.7'	0.61 fc
50.0'	0.42 fc

Beam width	Beam width
20.3'	28.6'
40.9'	57.6'
61.3'	86.3'
81.6'	114.9'
102.2'	143.9'
122.6'	172.6'

Vert. spread: 101.6°
 Horiz. spread: 119.8°

¹ Complete IES files available on our website.

Data is based upon tests performed in a controlled environment. Actual performance can vary depending on operating conditions. All products are subject to change or may be discontinued any time without notice.