

Series Spec Sheet

L3PNF

LED BACKLIT PANEL

4 CCT and 3 Power Selectable

The L3PNF LED backlit panel series offers the ultimate versatility. Featuring a 120-347V driver and the flexibility to change the colour temperature and lumen output with a simple switch, the L3PNF series is the perfect cost-effective solution for reducing stocking inventory. With its wide selection of 4 colour temperatures ranging from 3 000 K to 5 000 K, this next-generation back-lit panel is ideal to replace fluorescent fixtures in offices, schools, and commercial buildings or to easily adapt to any new construction requirements.

FEATURES AND SPECIFICATIONS

• Construction

Physical Characteristics

- White aluminum alloy frame
- PMMA LED lens
- CCT and Power Select switches are placed on the driver box

Mounting

Recessed, suspended, surface

• Performance Data

- Available in 3 000/3 500/4 000/5 000 K selectable color temperature
- 82+ CRI
- Electrical ratings; 120-347 V
- Estimated life over 144 000 hours to L70
- 0-10 V dimming standard
- 2 kV surge protection
- Operating temperature: -20 °C to 40 °C (-4 °F to 104 °F)

• Compliances

- cULus listed for damp locations
- IC rated
- Meets requirements of ICES-005 issue 5 for Class B products
- Conforms to NSF STD. 2 and certified to be used in food handling applications
- Conforms to:
 - CAN/ULC-S102.3-07 Standard method of fire test of light diffusers and lenses
 - CAN/ULC-S102.2-10 Standard method of test for surface burning characteristics of flooring, floor coverings, and miscellaneous materials and assemblies



power
selectable



LED
fixture



quick
ship



dimmable



damp
location



ICES
005



OVERVIEW

Light source	LED
Watts (W)	20/30/40 30/40/50
Lumen output (lm)	2 462 - 6 025
Efficacy (lm/W)	110 - 137
Color temperature (K)	3 000/3 500/4 000/5 000
CRI	82+

Not all products are qualified on the DLC QPL. To view our DLC qualified products, please consult the DLC Qualified Products List at www.designlights.org/search.

QUICK SHIP AND TECHNICAL SPECIFICATION TABLE

Order code	Model number	DLC unique ID	Watts (W)	Volts (VAC)	Color temp. (K) ¹	Lumen output (lm) ^{2,3}	Efficacy (lm/W)	CRI	Life L70 (hrs) ⁴	Tested hours LM-80 (hrs) ⁵	Dimming (Yes/No)	Power factor	THD (%)	Case qty (master)
1'X4' 69434 ⁵	L3PNF-1LPS40-Q/4C	S-JP6T7W	20/30/40	120-347	3 000/3 500/4 000/5 000	2 732/3 882/4 953	110	82+	144 000	9 000	Yes	0.9	<20	2
2'X2' 69435 ⁵	L3PNF-2LPS40-Q/4C	S-2Q4XVU	20/30/40	120-347	3 000/3 500/4 000/5 000	2 605/3 743/4 754	110	82+	144 000	9 000	Yes	0.9	<20	2
2'X4' 69436 ⁵	L3PNF-4LPS50-Q/4C	S-81MH5V	30/40/50	120-347	3 000/3 500/4 000/5 000	3 912/4 987/6 025	110	82+	144 000	9 000	Yes	0.9	<20	2

¹ Typical color temperature range: +/- 5 %.

² Lumen values are derived from photometric testing. Initial lumens range: +/- 10 %.

³ Lumen values are based on 4 000 K default programming. Please refer to the LUMEN SPECIFICATION TABLE for more details on other color temperatures.

⁴ Life hours are derived from IESNA LM-80-08 testing report and projected per IESNA TM-21-11 extrapolations.

⁵ Standard packaging is 2 panels per master case without individual box.

LUMEN SPECIFICATION TABLE

Order code	Model number	Watts (W)	3 000 K		3 500 K		4 000 K		5 000 K	
			Lumen output (lm)	Efficacy (lm/W)	Lumen output (lm)	Efficacy (lm/W)	Lumen output (lm)	Efficacy (lm/W)	Lumen output (lm)	Efficacy (lm/W)
69434	L3PNF-1LPS40-Q/4C	20	2 533	127	2 692	135	2 732	137	2 704	135
		30	3 556	119	3 813	127	3 882	129	3 764	125
		40	4 509	113	4 848	121	4 953	124	4 747	119
69435	L3PNF-2LPS40-Q/4C	20	2 462	123	2 588	129	2 605	130	2 570	129
		30	3 456	115	3 679	123	3 743	125	3 577	119
		40	4 384	110	4 675	117	4 754	119	4 512	113
69436	L3PNF-4LPS50-Q/4C	30	3 669	122	3 840	128	3 912	130	3 905	130
		40	4 665	117	4 895	122	4 987	125	4 918	123
		50	5 667	113	5 909	118	6 025	121	5 910	118

DEFAULT PROGRAMMING

69434 - 40W/4000K

69435 - 40W/4000K

69436 - 50W/4000K

Data is based upon tests performed in a controlled environment. Actual performance can vary depending on operating conditions. All products are subject to change or may be discontinued any time without notice.

ACCESSORIES (order separately)

Order code	Model number	Type
63490	Drywall Kit	1X4
67164	Drywall Kit	2X2
63491	Drywall Kit	2X4
68455	Surface Mount Kit	1X4
68456	Surface Mount Kit	2X2
68457	Surface Mount Kit	2X4
68458	Suspension Kit	1X4, 2X2, 2X4

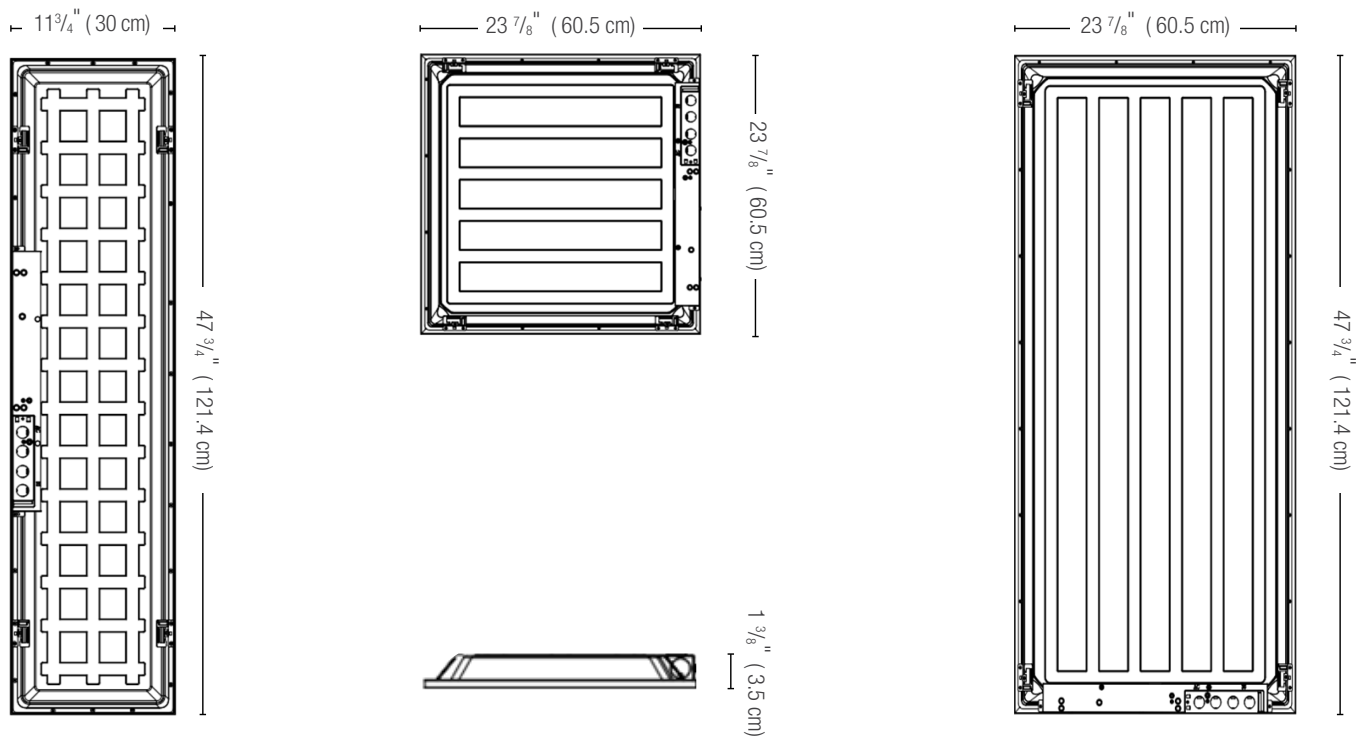
COMPATIBLE DIMMERS

Brand	Model Number
Lutron	DVSTV
	MS-2101
Leviton	IP710-DLZ
Philips	SR12002TUNV

Dimming range: 10%-100%

NOTE: The above table shows dimmers that have been tested and have demonstrated proper operation under normal conditions. Each installation being unique, various factors such as load, common neutrals or other electrical products on the circuit can, in certain instances, cause variance in system performance. Read and comply to the dimmer installation instructions. Consult dimming system manufacturer for additional support in operation. Stanpro recommends to use dimmers designed to work with LED products. Older dimmers designed for incandescent products may cause erratic operation. Some dimmers may require more than one product for stable operation. The maximum number of products is determined by the dimmer wattage rating with LEDs. Be careful, these dimmers have different ratings depending on the product type. Again, refer to the dimmer installation instructions.

DIMENSIONS AND WEIGHTS



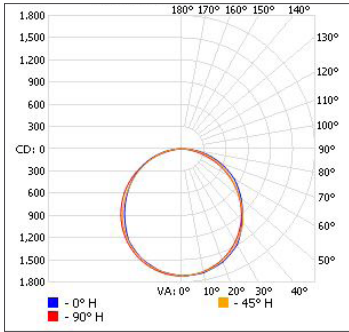
	1X4	2X2	2X4
Net weight (lbs)	4.4	3.5	7.3

Data is based upon tests performed in a controlled environment. Actual performance can vary depending on operating conditions. All products are subject to change or may be discontinued any time without notice.

PHOTOMETRIC DATA¹

69434 • L3PNF-1LPS40-Q/4C • 40 W • 4 000 K • 4 952.8 lm

Polar candela distribution



Zonal lumen summary

Zone	Lumens	% Fixture
0-30	1 332.3	26.9
0-40	2 183.2	44.1
0-60	3 850.9	77.7
60-90	1 101.8	22.2
0-90	4 952.8	100

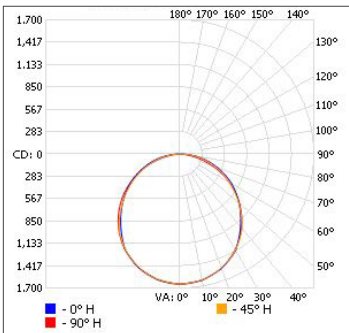
Illuminance at a distance

	Center beam fc	Beam width
2.0'	429.0	6.1' 6.0'
4.0'	107.3	12.1' 12.0'
6.0'	47.7	18.2' 18.1'
8.0'	26.8	24.2' 24.1'
10.0'	17.2	30.3' 30.1'

■ Vert. spread: 113.2°
■ Horiz. spread: 112.8°

69435 • L3PNF-2LPS40-Q/4C • 40 W • 4 000 K • 4 754.2 lm

Polar candela distribution



Zonal lumen summary

Zone	Lumens	% Fixture
0-30	1 280.0	26.9
0-40	2 096.9	44.1
0-60	3 694.9	77.7
60-90	1 059.2	22.3
0-90	4 754.2	100

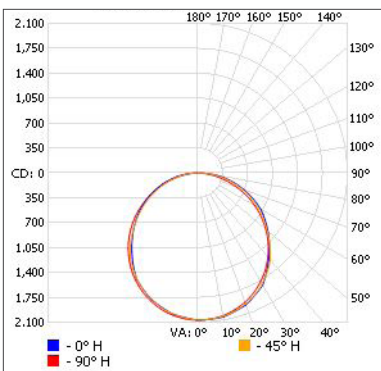
Illuminance at a distance

	Center beam fc	Beam width
2.0'	412.3	6.0' 6.0'
4.0'	103.1	12.0' 12.1'
6.0'	45.8	18.0' 18.1'
8.0'	25.8	24.0' 24.1'
10.0'	16.5	29.9' 30.1'

■ Vert. spread: 112.5°
■ Horiz. spread: 112.9°

69436 • L3PNF-4LPS50-Q/4C • 50 W • 4 000 K • 6 025.0 lm

Polar candela distribution



Zonal lumen summary

Zone	Lumens	% Fixture
0-30	1 608.0	26.7
0-40	2 636.5	43.8
0-60	4 659.6	77.3
60-90	1 365.5	22.7
0-90	6 025.0	100

Illuminance at a distance

	Center beam fc	Beam width
2.0'	517.3	6.2' 6.0'
4.0'	129.3	12.3' 12.1'
6.0'	57.5	18.5' 18.1'
8.0'	32.3	24.7' 24.2'
10.0'	20.7	30.9' 30.2'

■ Vert. spread: 114.1°
■ Horiz. spread: 113.0°

¹ Complete IES files available on our website.

Data is based upon tests performed in a controlled environment. Actual performance can vary depending on operating conditions. All products are subject to change or may be discontinued any time without notice.