

Series Spec Sheet

L3CBX

SMART LED CENTER BASKET

Integrated Bluetooth® Mesh Technology

The L3CBX series offers a classic center basket design with smooth and uniform ambient lighting. It has a long life for optimal performance and is perfect for all commercial lighting applications. Featuring integrated Bluetooth® Mesh technology, the L3CBX series seamlessly connects with the Genio control system and mobile app. Genio is easy to use and hassle-free, the ideal solution for integrating controls into a lighting system.

FEATURES AND SPECIFICATIONS

• **Construction**

Physical Characteristics

- White steel housing
- Frosted PMMA lens

Mounting

- Recess, surface

• **Performance data**

- Tunable white technology ranging from 3000 K to 5 000 K
- Power selectable up to 30 W (1'X4'), 35 W (2'X2'), 45 W (2'X4')
- 80+ CRI
- Electrical ratings: 120-347 V
- Estimated life of over 190 000 hours to L70
- Wireless Bluetooth® Dimming (1% - 100%)
- 2 kV surge protection
- Operating temperature: -20 °C to 50 °C (-4 °F to 122 °F)

• **Bluetooth® Mesh Control**

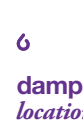
- Integrated Bluetooth® Mesh technology allows for controllable features via the Stanpro Genio App or by using the smart wall switches (sold separately). Controllable features include:
 - Dimming
 - Tune to desired color temperature - Tunable White
 - Sensor programming (Motion and daylight harvesting)
 - Create groups, scenes, schedules and more

• **Compliances**

- cULus listed for damp location
- DLC Premium
- Meets requirements of ICES-005 issue 5 class A for use in commercial applications

OVERVIEW

Light source	LED
Watts (W)	Up to: 30 W (1X4), 35 W (2X2) & 45 W (2X4)
Lumen output (lm)	3 810 - 5 985
Efficacy (lm/W)	123 - 133
Color temperature (K)	Tunable White - 3 000 K to 5 000 K
CRI	80+



Not all products are qualified on the DLC QPL. To view our DLC qualified products, please consult the DLC Qualified Products List at www.designlights.org/search.

GENIO CONTROL SYSTEM FEATURES

Genio is Stanpro’s smart brand of lighting and emergency lighting. Integrating the latest in Bluetooth® Mesh technology, Genio products allow for customizable features that can be adjusted at your fingertips using a smartphone or other compatible devices. This system is easy to use, versatile and futureproof! Please see below for some of the key features¹ of the Genio control system:



LIGHTS

Instantly control the color temperature, wattage, lumen output and dimming.



GROUPS

Easily group luminaires together and control them as a single unit.



SCENES

Customize your lighting through scenes and create different atmospheres for occasions and activities.



SCHEDULES

Set schedules to specify dates, times and recurrence patterns for changing the settings of your lighting.



SENSOR

Adjust the PIR motion sensor and daylight harvesting settings.

* PIR motion sensor accessory sold separately



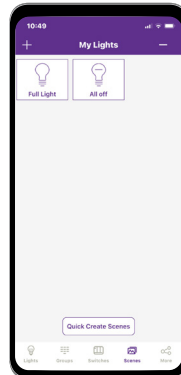
Lights

- Add
- Name or Rename
- Dimming and Color Tuning
- Delete
- Sensor Settings



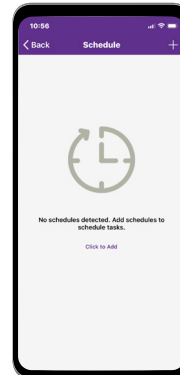
Groups

- Create
- Rename
- Delete
- Add or Remove Lights
- Adjust Group Linkage Level
- Turn On/Off
- Adjust Group Dimming
- Activate Auto Mode



Scenes

- Create
- Edit
- Delete



Schedules

- Creating
- Associate a Schedule To Lights, Groups, or Scenes
- Set a Repeating
- Set Fade Time
- Delete
- Enable Or Disable



Download on the **App Store**

GET IT ON **Google Play**



Download our App **Instruction Guide**

¹ Please note that the features mentioned are part of a broader range of characteristics relating to the Genio Ecosystem and may not be applicable to this specific product. Customers are advised to review the product specifications carefully to understand their capabilities.

The Bluetooth® word mark and logos are owned by the Bluetooth SIG, Inc. and any use of such marks by Ascot Capital Group is under license. Other trademarks and trade names are those of their respective owners.

QUICK SHIP AND TECHNICAL SPECIFICATION TABLE ⌚¹

Order code	Model number	DLC unique ID	Watts (W)	Volts (VAC)	Color temp. (K) ¹	Lumen output (lm) ²	Efficacy (lm/W)	CRI	Life L70 (hrs) ³	Tested hours LM-80 (hrs) ²	Dimming (Yes/No)	Power factor	THD (%)	Master case qty
1'X4' 69621 ⁴	L3CBX-1LP30P-Q/TW-BT	S-9FAZ12	30	120-347	3 000 - 5 000	3 810	127	80+	190 000	9 000	Yes	0.90	20	2
2'X2' 69622 ⁴	L3CBX-2LP35P-Q/TW-BT	S-YL1K40	35	120-347	3 000 - 5 000	4 305	123	80+	190 000	9 000	Yes	0.90	20	2
2'X4' 69623 ⁴	L3CBX-4LP45P-Q/TW-BT	S-BTIWR4	45	120-347	3 000 - 5 000	5 850	130	80+	190 000	9 000	Yes	0.90	20	2

¹ Typical color temperature range: +/- 5 %.

² Lumen values are derived from DLC reported data at 3 000 K. Please refer to the LUMEN SPECIFICATION TABLE for more details on other color temperatures.

³ Life hours are derived from IESNA LM-80 testing report and projected per IESNA TM-21 extrapolations.

⁴ Standard packaging is 2 units per master box without individual boxes.

LUMEN SPECIFICATION TABLE

Order code	Model number	Watts (W)	3 000 K		3 500 K		4 000 K		5 000 K	
			Lumen output (lm)	Efficacy (lm/W)	Lumen output (lm)	Efficacy (lm/W)	Lumen output (lm)	Efficacy (lm/W)	Lumen output (lm)	Efficacy (lm/W)
69621	L3CBX-1LP30P-Q/TW-BT	30	3 810	127	3 840	128	3 870	129	3 900	130
69622	L3CBX-2LP35P-Q/TW-BT	35	4 305	123	4 340	124	4 375	125	4 410	126
69623	L3CBX-4LP45P-Q/TW-BT	45	5 850	130	5 895	131	5 940	132	5 985	133

DEFAULT PROGRAMMING

69621 : 30 W / 5 000 K

69622 : 35 W / 5 000 K

69623 : 45 W / 5 000 K

ACCESSORIES (order separately)

Order code	Type	Compatible with
70184	Surface mount kit	1'X4'
70185	Surface mount kit	2'X2'
70186	Surface mount kit	2'X4'
63490	Drywall kit	1'X4'
67164	Drywall kit	2'X2'
63491	Drywall kit	2'X4'

SMART ACCESSORIES (order separately) 

Order code	Type	Compatible with	Case qty (master)
69731 ¹	Genio Bluetooth® Mesh Internal PIR sensor OSI-PIR108E	L3CBX	200

¹ Maximum ambient temperature for sensor is 55 °C (131 °F)

PLUG-IN PIR MOTION SENSOR



SENSOR SETTING OPTIONS¹

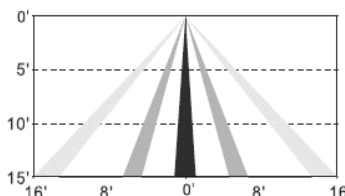
Parameter	Settings Options
1st Time Delay	1 min - 59 min, ∞
2nd Time Delay	1 min - 59 min, ∞
Dim Level	1 % - 100 %

¹ For detailed sensor programming and settings information, please refer to the Genio App Instruction Guide.

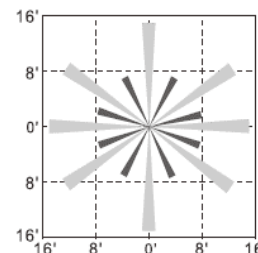
SENSOR MOUNTING AND DETECTION RANGE

Mounting Height	15 ft (4.6 m) Max
Detection Range	32 ft (9.75 m) Max

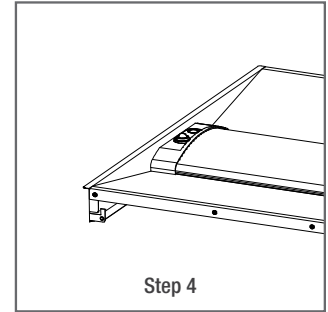
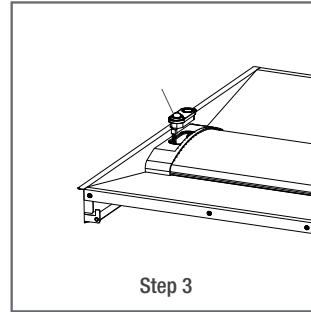
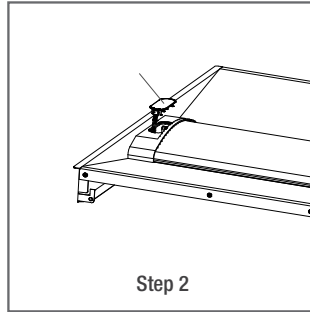
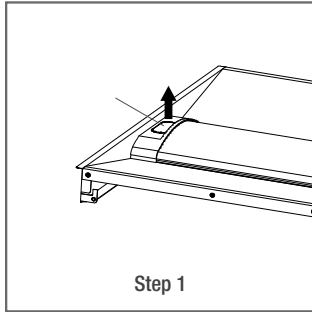
SIDE VIEW



TOP VIEW

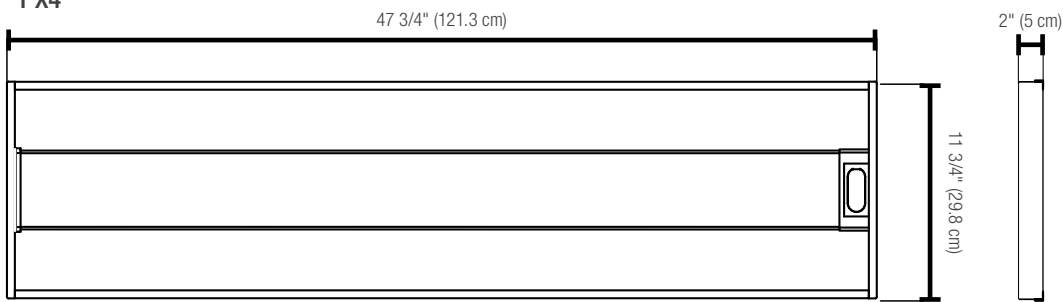


SENSOR INSTALLATION

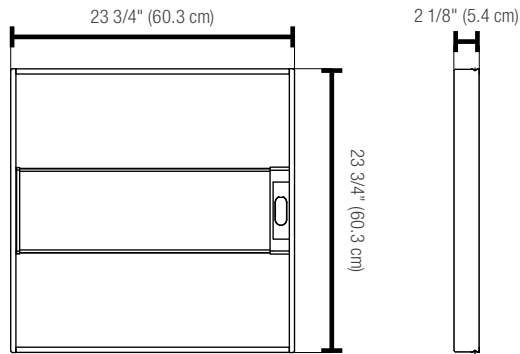


DIMENSIONS AND WEIGHTS

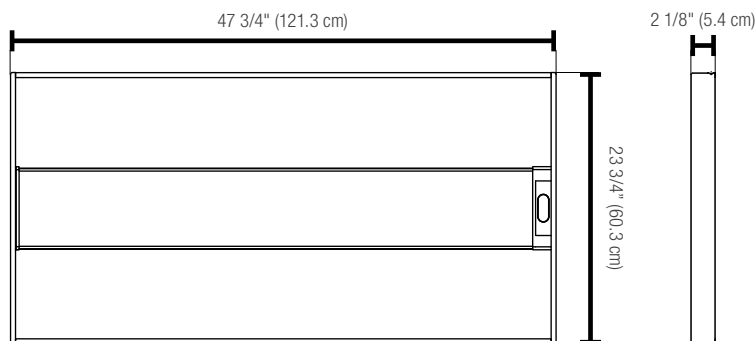
1'X4'



2'X2'



2'X4'

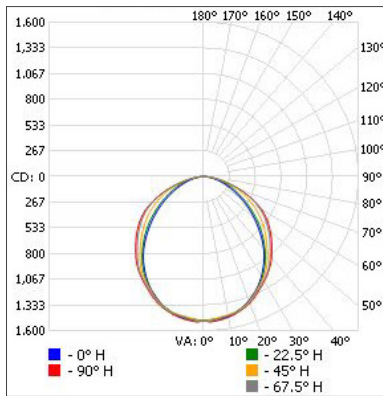


	1'X4'	2'X2'	2'X4'
Net weight (lbs)	7.7	6.8	11.4

PHOTOMETRIC DATA¹

69621 • L3CBX-1LP30P-Q/TW-BT • 30 W • 4 000 K • 3 942.1 lm

Polar candela distribution



Zonal lumen summary

Zone	Lumens	% Fixture
0-30	1 147.7	29.1
0-40	1 857.1	47.1
0-60	3 182.1	80.7
60-90	760.0	19.3
0-90	3 942.1	100

Illuminance at a distance

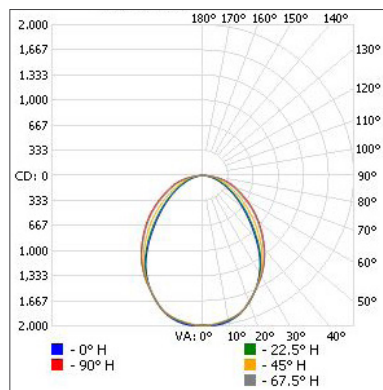
Center beam fc	Beam width
2.0'	374.7
4.0'	93.7
6.0'	41.6
8.0'	23.4
10.0'	15.0

Beam width	Beam width
4.4'	6.3'
8.8'	12.5'
13.2'	18.8'
17.6'	25.1'
22.0'	31.3'

■ Vert. spread: 95.5°
■ Horiz. spread: 114.9°

69622 • L3CBX-2LP35P-Q/TW-BT • 35 W • 4 000 K • 4 516.4 lm

Polar candela distribution



Zonal lumen summary

Zone	Lumens	% Fixture
0-30	1 485.1	32.9
0-40	2 339.4	51.8
0-60	3 741.9	82.9
60-90	774.5	17.1
0-90	4 516.4	100

Illuminance at a distance

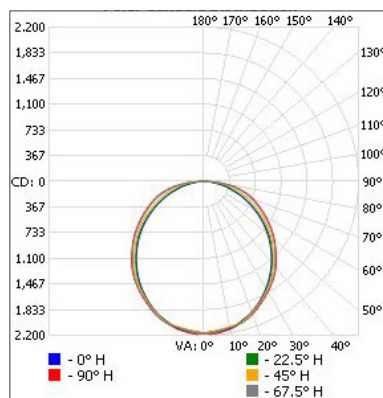
Center beam fc	Beam width
2.0'	497.0
4.0'	124.3
6.0'	55.2
8.0'	31.1
10.0'	19.9

Beam width	Beam width
3.6'	4.6'
7.3'	9.2'
10.9'	13.8'
14.5'	18.4'
18.2'	23.0'

■ Vert. spread: 84.5°
■ Horiz. spread: 97.9°

69623 • L3CBX-4LP45P-Q/TW-BT • 45 W • 4 000 K • 6 258.7 lm

Polar candela distribution



Zonal lumen summary

Zone	Lumens	% Fixture
0-30	1 664.8	26.6
0-40	2 713.3	43.4
0-60	4 772.8	76.3
60-90	1 485.9	23.7
0-90	6 258.7	100

Illuminance at a distance

Center beam fc	Beam width
2.0'	540.9
4.0'	135.2
6.0'	60.1
8.0'	33.8
10.0'	21.6

Beam width	Beam width
5.3'	6.3'
10.6'	12.6'
15.9'	18.8'
21.2'	25.1'
26.5'	31.4'

■ Vert. spread: 106.0°
■ Horiz. spread: 115.0°

¹ Complete IES files available on our website.