

L2TLV

TRI-LEVEL LED STRIP WITH LENS

The L2TLV Tri-Level programmable LED strip lights have been designed to prevent energy loss and to increase energy savings by allowing the end-user to sensibly manage the degree of luminosity in applications or spaces that require continuous lighting, such as hallways and common areas. These luminaires feature an integrated tri-level microwave motion sensor that regulates light levels according to the occupancy of a space.

FEATURES AND SPECIFICATIONS

• Construction

Housing and finishing

- Sleek and compact design ideal for installation in tight spaces
- 24 gauge white powder painted steel
- Contoured frosted PMMA diffuser
- Enclosed lens prevents penetration of dust, insects and other debris into the LED compartment

Mounting

- Surface, suspended or row mounted (see accessories)

• Technical specifications

- Integrated tri-level microwave (high frequency) motion sensor
- Easy to clean and service
- Long life LEDs that provide 80+ CRI and are available in 4 000K color temperature
- V-Hooks, canopy plate for octagonal junction box and mounting brackets are included
- 2.5 kV surge protection
- Estimated lifespan of over 155 000 hours to L70
- Ambient temperature: -20° C to +50° C
- Suitable for damp locations

• Compliances

- cULus
- Meets requirements of ICES-005 issue 5 for class A products
- Meets FCC requirements



OVERVIEW

Light source	LED
Watts (W)	35, 40
Lumen output (lm)	4 585, 5 360
Efficiency (lm/W)	131, 134
Color temperature (K)	4 000
CRI	80+
Weight (lbs)	6.30



LED
fixture



damp
location



ICES
005



Not all products are qualified on the DLC QPL. To view our DLC qualified products, please consult the DLC Qualified Products List at www.designlights.org/search.

QUICK SHIP ORDERING GUIDE ⌚¹

Order code	Model number	DLC unique ID	Watts (W)	Volts (VAC)	Color temp. (K) ²	Lumen output (lm) ³	Efficiency (lm/W)	CRI	Life L70 (hrs) ⁴	Tested hours LM80 (hrs) ⁴	Power factor	THD (%)	Case qty (master)
48"													
68023	L2TLV-48LS1-Q/40K	PLCEAI2KC11S	35	120-347	4 000	4 585	131	80+	155 000	9 000	0.90	10	6
68024	L2TLV-48LS2-Q/40K	PLQL5Y3L9165	40	120-347	4 000	5 360	134	80+	155 000	9 000	0.90	10	6

¹ **QUICK SHIP:** Product availability is subject to change without notice. Please contact your Stanpro customer service representative to confirm inventory levels at time of order.

² Typical color temperature range: +/- 5 %.

³ Lumen values are derived from photometric testing. Initial lumens range: +/- 10 %.

⁴ Life hours are derived from IESNA LM-80-08 testing report and projected per IESNA TM-21-11 extrapolations.

ACCESSORIES (order separately)

Part number	Type
BKT347	Suspension kit - 2 chains (1 metre)
BKT813	Continuous row mounting aligner for suspended installation
LEN376-4	Replacement lens 48"
68622	Wireguard kit 48"
OSI-RC-MH02	Remote control for motion sensor

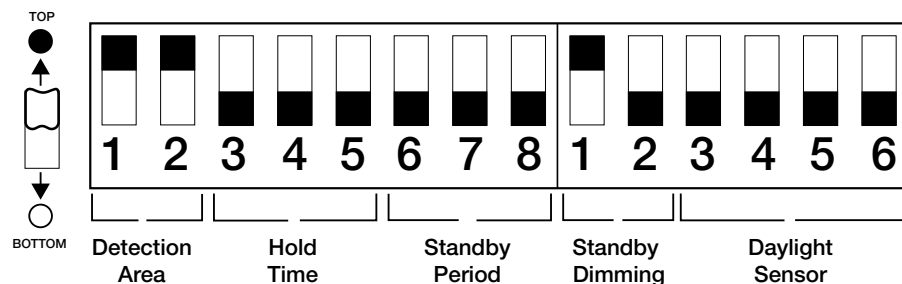
CONTINUOUS ROW MOUNTING FEATURE

The L2TLV series luminaires can be continuously row mounted (daisy-chained) together with a 4ft L2STN luminaire to create an 8ft or longer run. The integrated microwave motion sensor in the L2TLV luminaire will also control the L2STN luminaire. Refer to the installation guide for proper wiring instructions.

Recommended luminaire pairings:

L2TLV Series		L2STN Series		Continuous Row Mounting Maximum:
Order code	Model number	Order code	Model number	
68023	L2TLV-48LS1-Q/40K	68123	L2STN-48LS3-Q/40K	16 Luminaires
68024	L2TLV-48LS2-Q/40K	68125	L2STN-48LS4-Q/40K	(1 L2TLV + 15 L2STN)

PROGRAMMING SETTINGS



DEFAULT PROGRAMMING

Detection Area: 100%
Hold Time: 30 min
Standby Period: +∞
Standby Dimming: 20%
Daylight Sensor: Disable

DETECTION PATTERN

Detection Distance	12m x 8m (Max.)
Detection Angle – Wall Mounting	150°
Detection Angle – Ceiling Mounting	360°

Data is based upon tests performed in a controlled environment. Actual performance can vary depending on operating conditions. All products are subject to change or may be discontinued any time without notice.

SENSOR ON-OFF DIMMING SETTING OPTIONS

DETECTION AREA

The detection area can be reduced by selecting the combination on the DIP switches to fit precisely each application.
Options: 100% - 75% - 50% - 25%

	1	2
100%	●	●
75%	●	○
50%	○	●
25%	○	○

HOLD TIME

The time period the luminaire remains at 100% illumination after no motion is detected.
Options: 8s - 30s - 1 min - 5 min - 10 min - 15 min - 30 min

	3	4	5
8 s	●	●	●
30 s	●	○	●
1 min	○	●	●
5 min	●	○	○
10 min	○	●	○
15 min	○	○	●
30 min	○	○	○

STANDBY PERIOD

The time period the luminaire remains at a low light output level before it completely switches off in the long absence of motion. When set to Disable mode, the low light is maintained until motion is detected (Bi-Level).
Options: 0s - 1 min - 3 min - 5 min - 10 min - 30 min - +∞ (DISABLE)

	6	7	8
0 s	●	●	●
1 min	●	○	●
3 min	○	●	●
5 min	●	○	○
10 min	○	●	○
30 min	○	○	●
+ ∞	○	○	○

Note: "0s" means on/off control;

" +∞" means bi-level dimming control, luminaire never switches off when daylight sensor is disabled.

STANDBY DIMMING LEVEL

The level of dimmed low light output after the hold time in the long absence of motion.
Options: 10% - 20% - 30% - 40%

	1	2
10%	●	●
20%	●	○
30%	○	●
40%	○	○

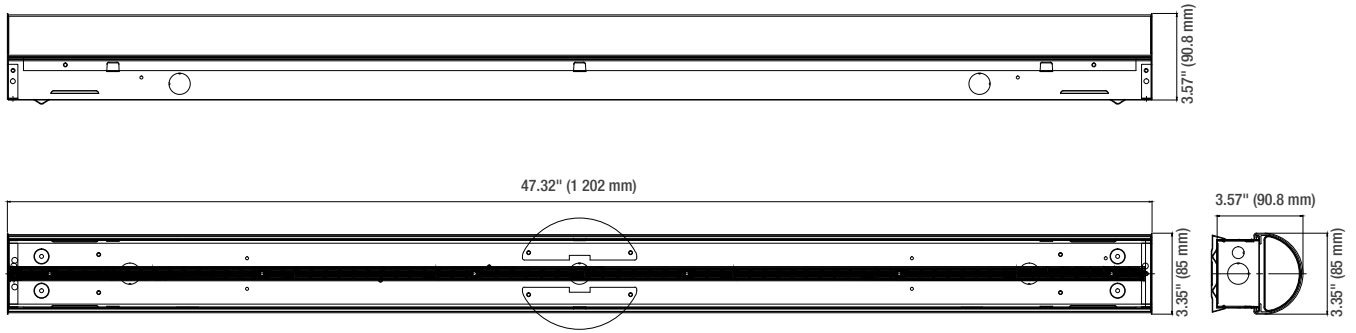
DAYLIGHT SENSOR

The daylight threshold can be captured and configured on the DIP switches to fit a particular application.
Options: 5 lux - 15 lux - 30 lux - 50 lux - 100 lux - 150 lux - +∞ (DISABLE)

	3	4	5	6
5 lux	●	●	●	●
15 lux	○	●	●	●
30 lux	●	○	●	●
50 lux	○	○	●	●
100 lux	●	●	○	●
150 lux	●	●	●	○
+ ∞	○	○	○	○

Data is based upon tests performed in a controlled environment. Actual performance can vary depending on operating conditions.
All products are subject to change or may be discontinued any time without notice.

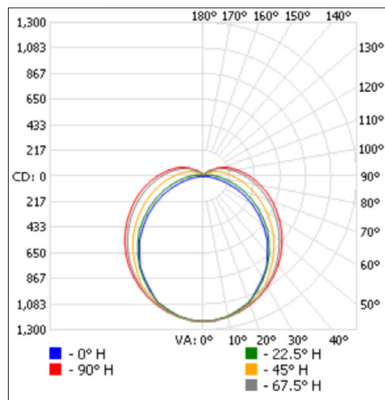
DIMENSIONS



PHOTOMETRIC DATA

68023 • L2TLV-48LS1-Q/40K • 4 665.8 lm

Polar candela distribution



Zonal lumen summary

Zone	Lumens	% Fixture
0-30	954.9	20.5%
0-40	1 569.9	33.7%
0-60	2,846.5	61.1%
60-90	1 266.3	27.2%
70-100	939.6	20.2%
90-120	442.1	9.5%
0-90	4 112.8	88.3%
90-180	543.0	11.7%
0-180	4 655.8	100%

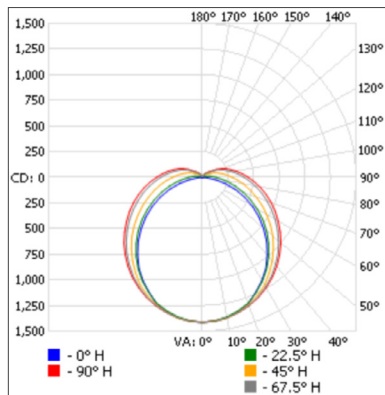
Illuminance at a distance

Center beam fc		Beam width	
1.7'	426 fc	4.5'	9.7'
3.3'	113 fc	8.7'	18.8'
5.0'	49.2 fc	13.2'	28.4'
6.7'	27.4 fc	17.7'	38.1'
8.3'	17.9 fc	21.9'	47.2'
10.0'	12.3 fc	26.4'	56.9'

Vert. spread: 105.7°
Horiz. spread: 141.2°

68024 • L2TLV-48LS2-Q/40K • 5 381.6 lm

Polar candela distribution



Zonal lumen summary

Zone	Lumens	% Fixture
0-30	1 099.3	20.4%
0-40	1 809.2	33.6%
0-60	3 286.2	61.1%
60-90	1 470.9	27.3%
70-100	1 090.5	20.3%
90-120	509.3	9.5%
0-90	4 757.1	88.4%
90-180	624.5	11.6%
0-180	5 381.6	100%

Illuminance at a distance

Center beam fc		Beam width	
1.7'	489	4.6'	9.6'
3.3'	130	8.9'	18.7'
5.0'	56.5	13.5'	28.3'
6.7'	31.5	18.1'	37.9'
8.3'	20.5	22.5'	46.9'
10.0'	14.1	27.0'	56.5'

Vert. spread: 107.0°
Horiz. spread: 141.0°

Data is based upon tests performed in a controlled environment. Actual performance can vary depending on operating conditions. All products are subject to change or may be discontinued any time without notice.