

## Series Spec Sheet

# L2SSS LED SLIM STRIP

A high performance lensed LED strip that provides smooth and uniform lighting. Ideal for commercial, industrial, retail, or residential applications. Its slim housing allows it to be installed in restricted areas such as coves and display applications. Junction box cover included.

### FEATURES AND SPECIFICATIONS

#### • Construction

##### Physical Characteristics

- Slim housing ideal for restricted areas
- White powder painted steel
- Frosted PMMA lens

##### Mounting

- Surface, suspended or row mounted (see accessories)
- Canopy plate for octagonal junction box and mounting brackets are included

#### • Performance Data

- Available in 4 000 K color temperature
- 80+ CRI
- Electrical ratings: 120-277 V
- Estimated life of over 120 000 hours to L70
- 0-10 V dimming standard
- 2.5 kV surge protection
- Operating temperature: -20 °C to 50 °C (-4 °F to 122 °F)
- Operating temperature with LINK: -20 °C to 25 °C (-4 °F to 77 °F)

#### • Emergency

- LINK Option - Emergency Power Conversion Module
- With the LINK option, this luminaire can be used as an emergency back up solution when used in conjunction with a Stanpro stand alone battery unit. Please view the [LINK brochure](#) for more details on this technology
- Patent Pending

#### • Compliances

- cULus listed for damp locations
- DLC Premium
- Meets requirements of ICES-005 issue 4 class A for use in commercial applications
- CSA Certified to C22.2#141-15 (When used with EL option)



### OVERVIEW

Light source	LED
Watts (W)	20 - 90
Lumen output (lm)	2 620 - 11 880
Efficiency (lm/W)	128 - 132
Color temperature (K)	4 000
CRI	80+
Weight (lbs)	24": 1.88, 48": 3.75, 96": 7.50



ICCS  
005



Not all products are qualified on the DLC QPL. To view our DLC qualified products, please consult the DLC Qualified Products List at [www.designlights.org/search](http://www.designlights.org/search).

<sup>1</sup> 5 year warranty for the LINK module.

**QUICK SHIP AND TECHNICAL SPECIFICATION TABLE** 

Order code	Model number	DLC unique ID	Watts (W)	Volts (VAC)	Color temp. (K) <sup>1</sup>	Lumen output (lm) <sup>2</sup>	Efficiency (lm/W)	CRI	Life L70 (hrs) <sup>3</sup>	Tested hours LM-80 (hrs) <sup>3</sup>	Dimming (Yes/No)	Power factor	THD (%)	Case qty (master)
<b>24"</b>														
68114	L2SSS-24LS1-W/40K	PLJLZP6VZ0XF	20	120-277	4 000	2 620	131	80+	120 000	6 000	Yes	0.90	10	9
<b>48"</b>														
68115	L2SSS-48LS1-W/40K	PL3NDY8B3PWQ	30	120-277	4 000	3 900	130	80+	120 000	6 000	Yes	0.90	10	9
68116	L2SSS-48LS2-W/40K	PLXZ6E4GTSPM	46	120-277	4 000	5 888	128	80+	120 000	6 000	Yes	0.90	10	9
<b>96"</b>														
68117	L2SSS-96LS1-W/40K	PLNM15SV4DKJ	75	120-277	4 000	9 750	130	80+	120 000	6 000	Yes	0.90	10	1
68118	L2SSS-96LS2-W/40K	PLDX5VXUVR22	90	120-277	4 000	11 880	132	80+	120 000	6 000	Yes	0.90	10	1

<sup>1</sup> Typical color temperature range: +/- 5 %.

<sup>2</sup> Lumen values are derived from photometric testing. Initial lumens range: +/- 10 %.

<sup>3</sup> Life hours are derived from IESNA LM-80-08 testing report and projected per IESNA TM-21-11 extrapolations.

**ORDERING GUIDE**

Series	Size	Lamp type	Lumen package <sup>1</sup>	Volts (V)	Color temperature (K)	Options
L2SSS	24 - 24"	L - LED	S1 - 2 620 lumens (20 W)	W - 120-277	40K - 4 000	EL - LINK <sup>2</sup>
	48 - 48"		S1 - 3 900 lumens (30 W) S2 - 5 888 lumens (46 W)			

<sup>1</sup>See IES files for details.

<sup>2</sup>Emergency power conversion module.

**LINK TECHNICAL SPECIFICATION TABLE**

Size	Lumen Package	LINK Watts (W)	LINK lumen output (lm)
24"	S1	11	1 263
48"	S1		895
		S2	1 185

**COMPATIBLE DIMMERS<sup>1</sup>**

Brand	Model
Leviton	ILLUMATECH IP710-LFZ
Lutron	DIVADVSTV Maestro MS-Z101 Nova T NTSTV
Philips	Sunrise SR1200ZTUNV

Dimming range: 10%-100%

<sup>1</sup>This table shows dimmers that have been tested and have demonstrated proper operation under normal conditions. Each installation being unique, various factors such as load, common neutrals or other electrical products on the circuit can, in certain instances, cause variance in system performance. Read and comply to the dimmer installation instructions. Consult dimming system manufacturer for additional support in operation. Some dimmers may require more than one product for stable operation. Stanpro recommends to use dimmers designed to work with LED products. Older dimmers designed for incandescent products may cause erratic operation.

**ACCESSORIES (order separately)**

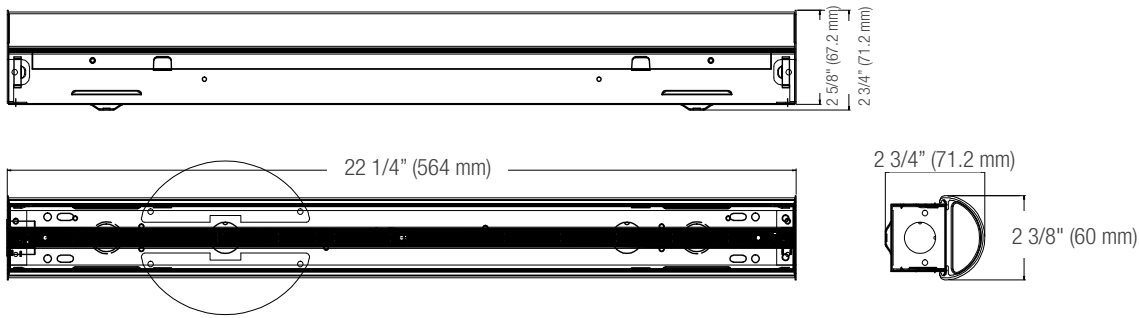
Order code	Type
68698	V-Hook kit
68676	Suspension kit - 2 chains (1 metre) <sup>1</sup>
68697	10' Aviation cable kit
68689	Push-in metal plug 7/8"
68685	Wireguard kit 24"
68686	Wireguard kit 48"
68687	Wireguard kit 96"
68688	Continuous row mounting aligner for suspended installation
68682	Replacement lens 24"
68683	Replacement lens 48"
68684	Replacement lens 96"

<sup>1</sup>Must be used in conjunction with 68698.

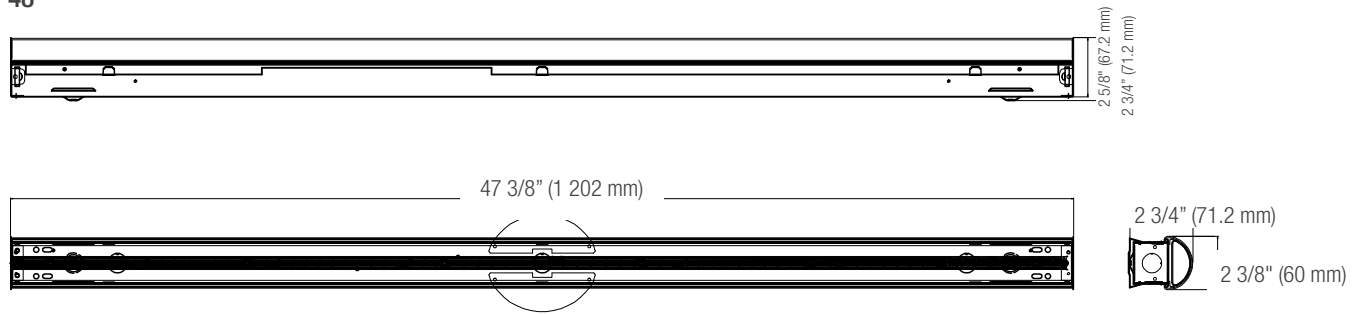
Data is based upon tests performed in a controlled environment. Actual performance can vary depending on operating conditions. All products are subject to change or may be discontinued any time without notice.

DIMENSIONS

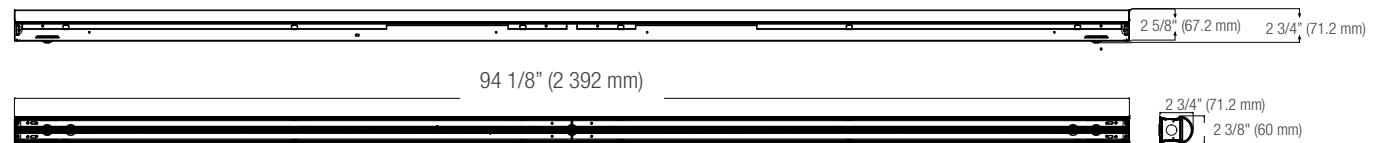
24"



48"



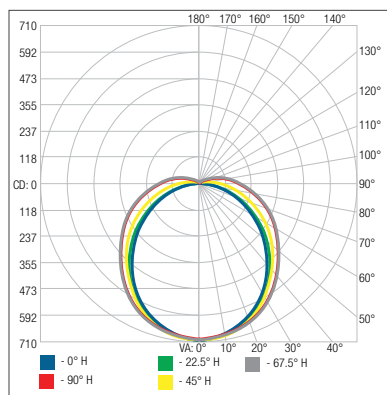
96"



PHOTOMETRIC DATA<sup>1</sup>

68114 • L2SSS-24LS1-W/40K • 2 446.6 lm

Polar candela distribution



Zonal lumen summary

Zone	Lumens	% Fixture
0-30	542.1	22.2
0-40	888.7	36.3
0-60	1 594.6	65.2
60-90	651.1	26.6
70-100	458	18.7
90-120	174.6	7.1
0-90	2 245.7	91.8
90-180	200.9	8.2
0-180	2 446.6	100

Illuminance at a distance

Center beam fc	Beam width
1.7'	4.5' 7.4'
3.3'	8.8' 14.3'
5.0'	13.3' 21.7'
6.7'	17.8' 29.0'
8.3'	22.1' 36.0'
10.0'	26.6' 43.3'

■ Vert. spread: 106.1°  
■ Horiz. spread: 130.5°

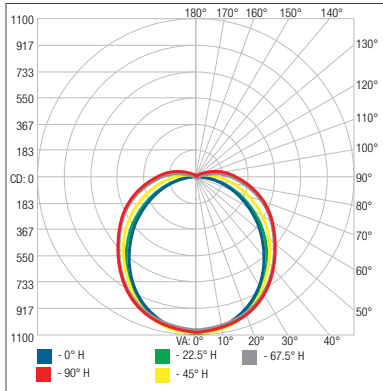
<sup>1</sup> Complete IES files available on our website.

Data is based upon tests performed in a controlled environment. Actual performance can vary depending on operating conditions. All products are subject to change or may be discontinued any time without notice.

**PHOTOMETRIC DATA (cont'd)<sup>1</sup>**

**68115 • L2SSS-48LS1-W/40K • 3 610.8 lm**

**Polar candela distribution**



**Zonal lumen summary**

Zone	Lumens	% Fixture
0-30	789.2	21.9
0-40	1 295.4	35.9
0-60	2 330.0	64.5
60-90	958.4	26.5
70-100	675	18.7
90-120	268.5	7.4
0-90	3 288.4	91.1
90-180	322.3	8.9
0-180	3 610.8	100

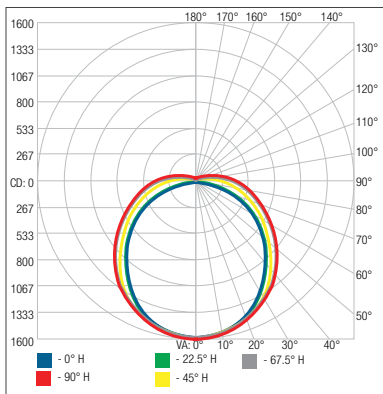
**Illuminance at a distance**

Center beam fc		Beam width	
1.7'	353	4.6'	7.6'
3.3'	93.8	8.9'	14.7'
5.0'	40.8	13.4'	22.3'
6.7'	22.7	18.0'	29.8'
8.3'	14.8	22.3'	37.0'
10.0'	10.2	26.9'	44.5'

■ Vert. spread: 106.6°  
■ Horiz. spread: 131.6°

**68116 • L2SSS-48LS2-W/40K • 5 662.3 lm**

**Polar candela distribution**



**Zonal lumen summary**

Zone	Lumens	% Fixture
0-30	1 238.8	21.9
0-40	2 032.6	35.9
0-60	3 656.0	64.6
60-90	1 504.3	26.6
70-100	1 058.3	18.7
90-120	418.7	7.4
0-90	5 160.3	91.1
90-180	502.1	8.9
0-180	5 662.3	100

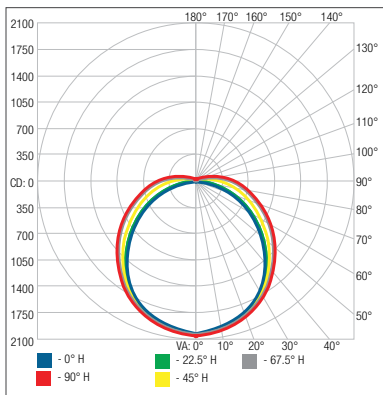
**Illuminance at a distance**

Center beam fc		Beam width	
1.7'	553	4.6'	7.5'
3.3'	147	8.9'	14.5'
5.0'	64.0	13.5'	22.0'
6.7'	35.6	18.1'	29.5'
8.3'	23.2	22.5'	36.6'
10.0'	16.0	27.0'	44.1'

■ Vert. spread: 107.0°  
■ Horiz. spread: 131.2°

**68117 • L2SSS-96LS1-W/40K • 9 568.5 lm**

**Polar candela distribution**



**Zonal lumen summary**

Zone	Lumens	% Fixture
0-30	2 091.5	21.9
0-40	3 432.7	35.9
0-60	6 174.4	64.5
60-90	2 539.9	26.5
70-100	1 788.7	18.7
90-120	711.6	7.4
0-90	8 714.3	91.1
90-180	854.2	8.9
0-180	9 568.5	100

**Illuminance at a distance**

Center beam fc		Beam width	
1.7'	936	4.6'	7.6'
3.3'	248	8.9'	14.7'
5.0'	108	13.4'	22.3'
6.7'	60.3	18.0'	29.8'
8.3'	39.3	22.3'	37.0'
10.0'	27.1	26.9'	44.5'

■ Vert. spread: 106.6°  
■ Horiz. spread: 131.6°

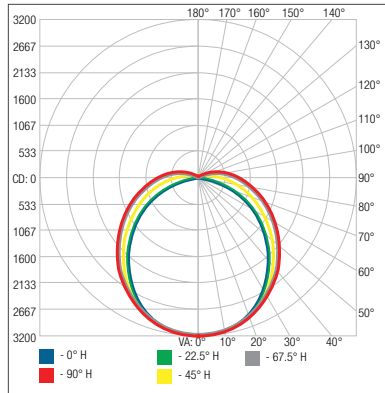
<sup>1</sup> Complete IES files available on our website.

Data is based upon tests performed in a controlled environment. Actual performance can vary depending on operating conditions. All products are subject to change or may be discontinued any time without notice.

**PHOTOMETRIC DATA (cont'd)<sup>1</sup>**

68118 • L2SSS-96LS2-W/40K • 11 324.7 lm

**Polar candela distribution**



**Zonal lumen summary**

Zone	Lumens	% Fixture
0-30	2 477.5	21.9
0-40	4 065.2	35.9
0-60	7 311.9	64.6
60-90	3 008.6	26.6
70-100	2 116.5	18.7
90-120	837.3	7.4
0-90	10 320.5	91.1
90-180	1 004.2	8.9
0-180	11 324.7	100

**Illuminance at a distance**

Center beam fc		Beam width	
1.7'	1 107	4.6'	7.5'
3.3'	294	8.9'	14.5'
5.0'	128	13.5'	22.0'
6.7'	71.2	18.1'	29.5'
8.3'	46.4	22.5'	36.6'
10.0'	32.0	27.0'	44.1'

■ Vert. spread: 107.0°  
■ Horiz. spread: 131.2°

<sup>1</sup> Complete IES files available on our website.

Data is based upon tests performed in a controlled environment. Actual performance can vary depending on operating conditions. All products are subject to change or may be discontinued any time without notice.