

## INC6 - INC6R

### 6" NON-IC FRAME-IN KIT, IC FRAME-IN KIT OR NON-IC REMODELER FOR INCANDESCENT OR LED LAMPS

#### INC6

6" aperture frame-in kit for incandescent or LED lamps. Designed for use in non-insulated (INC6) ceiling applications for general and task lighting.

#### INC6R

6" aperture remodeler for incandescent or LED lamps. Designed to permit wiring from below the ceiling line in non-insulated ceiling applications for general and task lighting.

#### FEATURES AND SPECIFICATIONS

##### • Construction

###### Housing

- Adjust for ceilings up to 1-1/4" thick.
- Designed for PAR30, PAR38, A19 incandescent or LED lamps (no transformer). Max. 150W.

###### Reflectors/ Trims

Please see selection on INC6 /INC6R trims page.

###### Socket

Medium base porcelain with nickel-plated copper screw shell.

###### Junction box

Listed for through branch circuit wiring. (5) 1/2" knockouts with true pry-out slots and (4) knockouts with Romex cable clamp. Ground wire provided on J-box.

###### Hanger bars<sup>1</sup>

Pre-installed hanger bars for 24" span with built-in nailers and T-bar clips.

###### Remodeler clips<sup>2</sup>

3 clips secure housing in the ceiling.

###### Ceiling cut-out

- INC6: 6-1/2"
- INC6R: 6-3/8"

##### • Compliances

UL listed to CSA C22.2 #250 and UL1598



<sup>1</sup> Available only for INC6.  
<sup>2</sup> Available only for INC6R.

**ORDERING GUIDE - TRIMS<sup>1</sup>**

Trims	Lamp type	Reflector	Baffle	Gimbal	Lens	Flange
INC62 -	PAR30 - PAR38 -	N/A	WH - White	N/A	N/A	WH - White
INC63 -			N/A	SN- Satin nickel WH - White		N/A

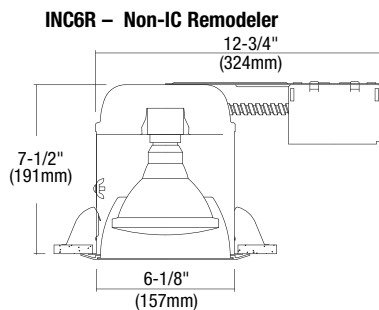
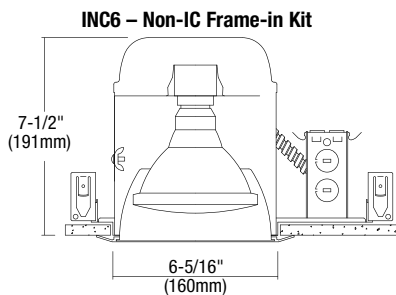
<sup>1</sup>**QUICK SHIP:** Product availability is subject to change without notice. Please contact your Stanpro customer service representative to confirm inventory levels at time of order.

**ORDERING GUIDE - HOUSINGS<sup>1</sup>**

Aperture	Lamp type	Watts (W)	Volts (VAC)
INC6 - Frame-in kit INC6R - Remodeler	N- Incandescent	0150 - 150	A - 120

<sup>1</sup>**QUICK SHIP:** Product availability is subject to change without notice. Please contact your Stanpro customer service representative to confirm inventory levels at time of order.

**DIMENSIONS**



Data is based upon tests performed in a controlled environment. Actual performance can vary depending on operating conditions. All products are subject to change or may be discontinued any time without notice.