

## Series Spec Sheet

# I

## INDUSTRIAL REMOTE HEAD

### NEMA 4X LED

The I series of industrial remote heads are ideal for applications requiring maximum light output. It offers a brightness of up to 1 500 lumens which is perfect for high ceilings and long tunnels. Its cast aluminum housing is rated Nema 4x which makes it resistant to corrosion and wet environments.

### FEATURES AND SPECIFICATIONS

#### • Mechanical

- Die cast, solid aluminum housing
- Impact resistant acrylic lens
- Stainless steel mounting hardware
- Fully gasketed for protection against wet and dust-filled environments
- LED lamps available in 12 to 24VDC
- Suitable for installation both indoors and outdoors
- White color is standard, black is optional

#### • Compliances

- CSA Certified to C22.2 #141-15
- Meets requirements of ICES-005

### OVERVIEW

Light source	LED
DC voltage (VDC)	12, 24



LED  
fixture



ICES  
005



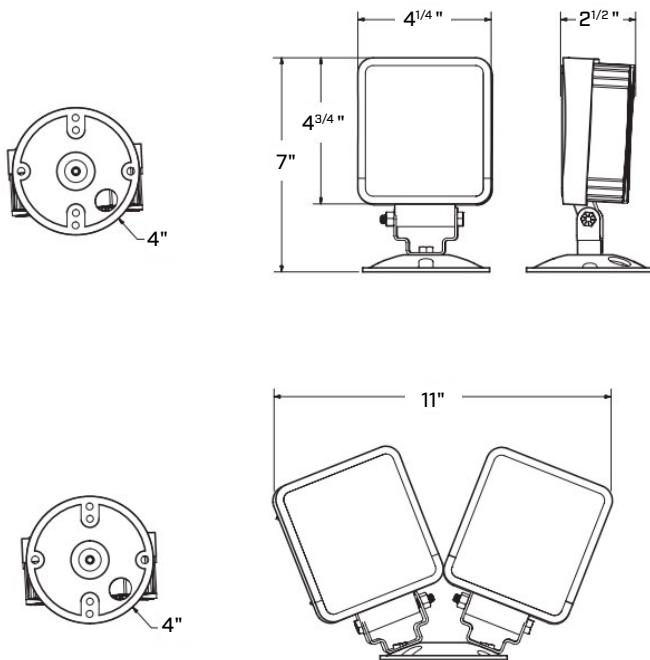
**ORDERING GUIDE**

Series	Nbr of heads	Volts (VDC operational)	Watts (W)	Lamp type	Color	Options
I	1 - Single head 2 - Double head	12-24V - 12 to 24	5W - 5 9W - 9 14W - 14	LJ - LED array	WHT - White (standard) BLK - Black	LCP - Less Canopy TP - Tamperproof screw

**SPACING GUIDE**

Mounting height	Spacing centre to centre (feet)					
	12 V			24 V		
	5 W	9 W	14 W	5 W	9 W	14 W
8 ft	112	166	198	114	163	200
10 ft	108	161	193	111	159	194
15 ft	98	148	177	99	145	179
20 ft	86	134	163	86	131	164

**DIMENSIONS**



Data is based upon tests performed in a controlled environment. Actual performance can vary depending on operating conditions. All products are subject to change or may be discontinued any time without notice.