

## HXB DECO SUSPENDED

Family of decorative suspended luminaires for general illumination in medium to high ceiling applications such as offices malls and retail spaces where long life and energy efficient operation is desirable.

### FEATURES AND SPECIFICATIONS

#### • Construction

##### Housing

Extruded and anodized aluminum.

##### Reflector

Prismatic UV-Stabilized. Anodization of the spun 12" aluminum reflector helps to maintain a uniform, reflective finish. This smooth reflective finish, combined with the optimal lamp position, ensures even distribution and high efficiency.

##### Mounting

Junction box with hook is standard.

#### • Electrical

- M: Metal halide 50 W to 175 W
- P: Pulse-start metal halide 175 W
- V: 70 W, 150 W
- N: 150W

#### • Compliances

- CSA Certified to C22.2 #250
- UL1598



### OVERVIEW

Light source	HID - Incandescent
Watts (W)	50 - 200
Color temperature (K)	3 000, 3 200, 4 000, 4 500, 6 500



**ORDERING GUIDE**

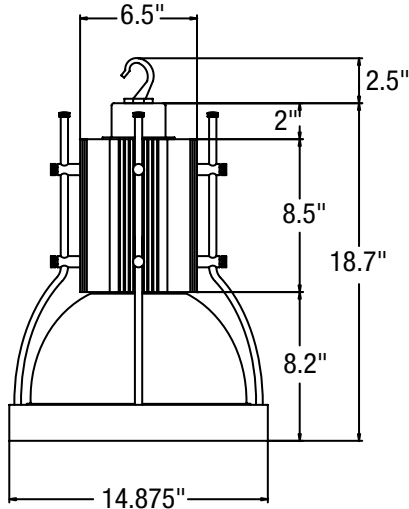
Series	Lamp type	Watts (W)	Volts (V)	Color temp. (K) <sup>2</sup>	Options
HXB	M - Metal halide	0050 <sup>1</sup> - 50	P - 120/277/347	30K - 3 000	<b>NL</b> - No lamp <b>AC</b> - Aviation cable <b>CC</b> - Coiled power cord (277 V max) <b>CD</b> <sup>3</sup> - 80-series CRI ceramic lamp technology (CRI of 92 and more) <b>C</b> - Coated lamp <b>MP</b> - Open-rated lamp <b>U</b> - Twist-lock plug <b>PM-075</b> - Pendant mount 3/4" NPT <b>B</b> - Stand by lamp <b>LD</b> - Acrylic dome lens <b>EB</b> - Electronic ballast (MH 100, 150 W)
		0070 <sup>1</sup> - 70		32K - 3 200	
	0100 <sup>1</sup> - 100	B - 208 K - 480 S - 600 V - 120/240 P - 120/277/347	40K - 4 000		
	0150 <sup>1</sup> - 150		45K - 4 500		
	0175 <sup>1</sup> - 175		65K - 6 500		
P - Pulse-start metal halide	0175 <sup>1</sup> - 175	P - 120/277/347	32K - 3 200 40K - 4 000		
V - V - (PAR36) Color Arc® MH 96 CRI	0070 - 70 0150 - 150	P - 120/277/347	32K - 3 200		
N - Incandescent	0150 - 150	A - 120	N/A		

<sup>1</sup> These require an open-rated lamp /MP.

<sup>2</sup> Contact factory for availabilities.

<sup>3</sup> A cover is required for some lamps, please contact factory.

**DIMENSIONS**



Data is based upon tests performed in a controlled environment. Actual performance can vary depending on operating conditions. All products are subject to change or may be discontinued any time without notice.