

HXB-L DECO SUSPENDED

Family of decorative suspended LED luminaires for general illumination in medium to high ceiling applications such as offices malls and retail spaces where long life and energy efficient LED operation is desirable.

FEATURES AND SPECIFICATIONS

LED source

Efficient Chip-on-Board (CoB) Technology with an 80+ CRI, neutral white colour respecting a 3-step MacAdam Ellipse.

Optics

Incorporated silicone lens optics offering a superior light distribution. High Bay type light beam with a viewing angle up to 75° and an efficiency of 93%.

Thermal management

Discrete heat sinks provide optimal thermal management, extended longevity and superior performance of the fixture.

Housing

Extruded and anodized aluminum housing. Luminaire includes cast and formed decorative rods and ring around the reflector for clean line design.

Reflector

Anodized spun aluminum 12" reflector helps to maintain a uniform, reflective finish and ensures even distribution and high efficiency.

Driver

0-10V dimming driver is standard. See ordering guide for dimming cable option.

Mounting and cable

Junction box with hook is standard. A 4ft. white power cable is installed on the luminaire.

• Compliances

- Suitable for damp locations
- CSA Certified to C22.2 #250
- UL1598
- UL 8750



OVERVIEW

Lamp	LED
Wattage	36.5W
Lumens	3460lm - 3786lm
Lm/W	95lm/W - 104lm/W
Colour temperature	2700K, 3000K, 3500K, 4000K
CRI	80+



6
damp
location



ORDERING GUIDE

Series	Lamp type	Lumen package*	Voltage	Colour temperature	Options
HXB	L - LED	S1	W - 120-277V H - 347V	27K - 2700K 30K - 3000K 35K - 3500K 40K - 4000K	AC - Aviation suspension cable (6 ft) CC - Coiled power cord (277V max)** U347 - Male 347V twist lock plug PM-075 - Pendant mount 3/4" NPT DIM1 - 0-10V external dimming wires ready to connect LD - Acrylic dome lens HCRI - High CRI 90+ L6 - 6' cable length (white) L10 - 10' cable length (white)

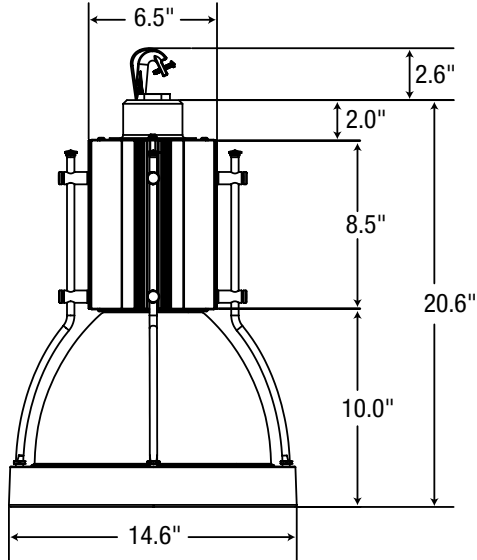
* Refer to lumen and specification chart.

** AC option must also be selected when choosing this option.

LUMEN AND SPECIFICATION CHART

General specifications	27K			40K			Ambient temperature
	Wattage	Lumens	LM/W	Wattage	Lumens	LM/W	°C
S1	36.5	3460	95	36.5	3786	104	-20°C to +25°C

DIMENSIONS



Data is based upon tests performed in a controlled environment. Actual performance can vary depending on operating conditions. All products are subject to change or may be discontinued any time without notice.