

## FL MINI FLOOD

The FL series is a family of highly efficient and affordable compact flood lights available in four different lumen packages. Each fixture has a modern thin design with an aluminum housing and comes standard with a black powder coat finish. Typical applications include both commercial and residential environment: backyards, walkways as well as flood lighting of signs and building fronts.

### FEATURES AND SPECIFICATIONS

#### • Construction

##### Housing

Aluminum housing comes standard in a black powder coat finish.

##### Mounting options

The fixture comes with either a knuckle mount or a yoke mount.

##### Lens

Tempered glass lens is standard in this product series.

#### • Electrical

– The drivers allow input from 120 V and is reliable in the coldest of temperatures

– The FL flood is suitable for ambient temperature range of -40°C to +50°C. Available in 4 000 K color temperature with a lumen per watt ratio of 110 lm/W to 117 lm/W depending on the lumen package.

#### • Compliances

- IP65
- Wet location
- Meets requirements of ICES-005 issue 5 for class B products
- cETLus



### OVERVIEW

Light source	LED
Watts (W)	19 - 51
Lumen output (lm)	1 870 - 5 674
Efficacy (lm/W)	99 - 117
Color temperature (K)	4 000
CRI	70 - 80



quick  
ship



LED  
fixture



wet  
location



ICES  
005



**QUICK SHIP AND TECHNICAL SPECIFICATION TABLE** 🕒<sup>1</sup>

Order code	Model number	Watts	Volts	Color temp.	Lumen output	Efficacy	CRI	Beam angle	Finish	LED current (mA)	Power factor	THD (%)	Traditional equivalent (W)		Case qty (master)
		(W)	(V AC)	(K) <sup>2</sup>	(lm) <sup>3</sup>	(lm/W)	(°)	MH					HPS		
68383	FL/S2/20W/40K/KN/BK/CHOICE/STD	20	120	4 000	2 313	117	70	120	Black	66	0.98	22	100	70	40
68213	FL/S2/30W/40K/KN/BK/CHOICE/STD	30	120	4 000	3 207	110	70	120	Black	115	0.97	23	100	100	20
68211	FL/S2/50W/40K/KN/BK/CHOICE/STD	50	120	4 000	5 674	112	70	120	Black	92	0.98	21	175	150	20
68212	FL/S2/50W/40K/YK/BK/CHOICE/STD	50	120	4 000	5 674	112	70	120	Black	92	0.98	21	175	150	20

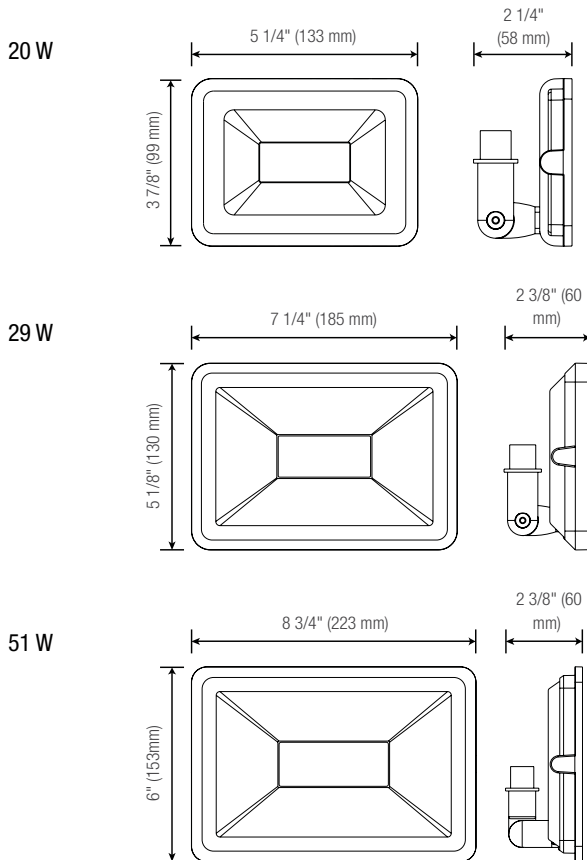
<sup>1</sup> **QUICK SHIP:** Product availability is subject to change without notice. Please contact your Stanpro customer service representative to confirm inventory levels at time of order.

<sup>2</sup> Typical color temperature range: +/- 5 %.

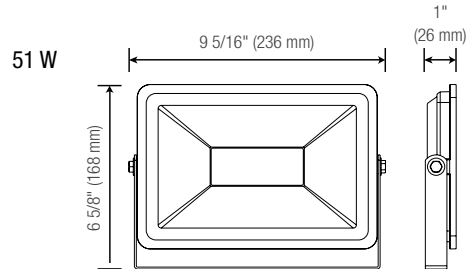
<sup>3</sup> Lumen values are derived from photometric testing. Initial lumens range: +/- 10 %.

**DIMENSIONS**

**KNUCKLE MOUNT**



**YOKE MOUNT**

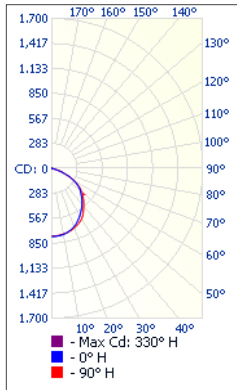


Data is based upon tests performed in a controlled environment. Actual performance can vary depending on operating conditions. All products are subject to change or may be discontinued any time without notice.

**PHOTOMETRIC DATA<sup>1</sup>**

**68383 • FL/S2/20W/40K/XX/BK/CHOICE/STD • 2 060.6 lm**

**Polar candela distribution**



**Zonal lumen summary**

Zone	Lumens	% Fixture
0-30	608.6	29.6%
0-40	994.5	48.8%
0-60	1 744.0	85.1%
60-90	316.7	14.9%
0-90	2 060.6	100%

**Illuminance at a distance**

Center beam fc	Beam width
17.0'	2.69
34.0'	0.67
51.0'	0.30
68.0'	0.17
85.0'	0.11
102.0'	0.07

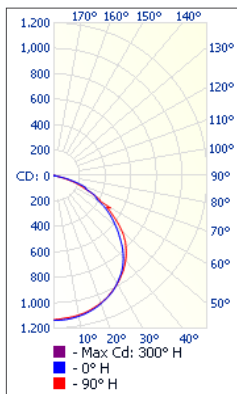
  

Beam width	Beam height
1.1'	1.4'
2.2'	2.8'
3.2'	4.2'
4.3'	5.6'
5.4'	7.1'
6.5'	8.5'

■ Vert. spread: 3.6°  
■ Horiz. spread: 4.8°

**68213 • FL/S2/30W/40K/XX/BK/CHOICE/STD • 3 040.1 lm**

**Polar candela distribution**



**Zonal lumen summary**

Zone	Lumens	% Fixture
0-30	899.4	29.6%
0-40	1 484.0	48.8%
0-60	2 588.6	85.1%
60-90	451.5	14.9%
0-90	3 040.1	100%

**Illuminance at a distance**

Center beam fc	Beam width
17.0'	3.95
34.0'	0.99
51.0'	0.44
68.0'	0.25
85.0'	0.16
102.0'	0.11

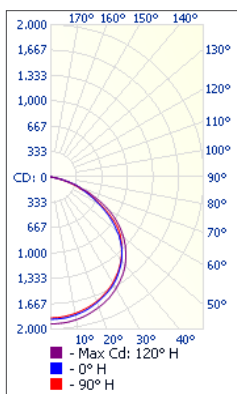
  

Beam width	Beam height
42.0'	52.1'
84.0'	104.2'
126.0'	156.3'
168.1'	208.4'
210.1'	260.5'
252.1'	312.6'

■ Vert. spread: 102.0°  
■ Horiz. spread: 113.7°

**68211 & 68212 • FL/S2/50W/40K/XX/BK/CHOICE/STD • 5 250.8 lm**

**Polar candela distribution**



**Zonal lumen summary**

Zone	Lumens	% Fixture
0-30	1 486.5	28.3%
0-40	2 465.0	46.9%
0-60	4 401.7	83.8%
60-90	849.1	16.2%
0-90	5 250.8	100%

**Illuminance at a distance**

Center beam fc	Beam width
17.0'	6.49
34.0'	1.62
51.0'	0.72
68.0'	0.41
85.0'	0.26
102.0'	0.18

Beam width	Beam height
48.1'	52.3'
96.2'	104.6'
144.3'	156.9'
192.4'	209.3'
240.5'	261.6'
288.5'	313.9'

■ Vert. spread: 109.5°  
■ Horiz. spread: 114.0°

<sup>1</sup> Complete IES files available on our website.

Data is based upon tests performed in a controlled environment. Actual performance can vary depending on operating conditions. All products are subject to change or may be discontinued any time without notice.