

Series Spec Sheet

CUBRM

STEEL COMBO RUNNING MAN

12 V-100 W capacity • 120, 277, or 347 VAC Input
High power LED

The CUBRM series is designed to provide dependable and efficient emergency lighting in a modern design. The CUBRM utilizes a sturdy, all steel housing that facilitates quick installation. This series is available in 12V and provides wattage capacity of 100W of emergency power.

FEATURES AND SPECIFICATIONS

• Electrical and circuitry

- LED ultra-bright light source
- 120V, 277 V, or 347 VAC input
- Wattage capacity of 100 W
- 30 minutes of emergency power duration is standard
- Infrared feature comes standard
- Pilot LEDs for AC ON and CHARGE
- Fully automatic, current limited charger
- Solid state design and construction
- Brownout and short circuit protection
- Temperature compensated
- Maintenance free, sealed lead acid battery

Mechanical

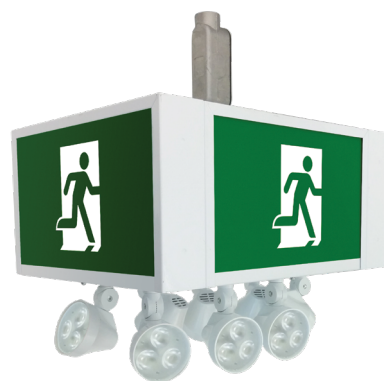
- 20-gauge steel construction
- Slide out faceplates for rapid and simple installation
- White powder coat finish standard
- PAR18 small style, high impact thermoplastic heads are standard (N)
- Optional heads include die cast metal MR16 type (S)
- Bottom head mounting is standard

• Approvals

- CSA certified to C22.2 #141-15

• Compliance

- Meets requirements of ICES-005



OVERVIEW

Light source	LED
Input voltage (VAC)	120, 277, or 347
Output voltage (VDC)	12
Output capacity (W)	100



canadian
made



LED
fixture



ICES
005



Energy Verified
Énergie Vérifiée

For complete warranty details, please see our terms and conditions on our website.

ORDERING GUIDE

CUBRM	1	100						IT	/
Series	Volts (V)	Watts (W)	Number of face	Heads quantity	Heads type	Lamp selection	AC voltage (V)	Mandatory options	Options
CUBRM	1 - 12	100 - 100	3- 3	00	Blank - No heads	See lamp selection chart	A - 120 E - 277 H - 347	IT - Infrared	AT, AUD ¹ , AUE
				3	N - PAR18				
			6	S - MR16					
			4- 4	00	Blank - No heads				
				4	N - PAR18				
				8	S - MR16				

¹ Only available with AT.

EMERGENCY LIGHTING OPTIONS

Option	Description
AT	Automatic test Self-diagnostic
AUD	Audible Diagnostic ¹
AUE	Audible Emergency

¹ Only available with AT.

MODEL RATINGS

Model	Volts (V)	Wattage capacities (W)			
		30 min.	60 min.	90 min.	120 min.
CUBRM1100	12	100	50	33	25

LAMP SELECTION

PAR18 • Small heads	12 V
LED lamps LJ series	3LJ, 4LJ, 5LJ
MR16 • Small heads c/w MR16 lamp	
LED lamps LR series	4LR
LED lamps LA series	5LA, 6LA, 7LA

SPACING GUIDE

Mounting height	Spacing center to center (ft)						
	3LJ	4LJ	5LJ	4LR	5LA	6LA	7LA
8 ft	78	83	118	76	81	94	108
10 ft	75	76	118	79	79	93	106
15 ft	66	68	104	66	62	82	96
20 ft	53	53	91	53	49	73	87

CONFIGURATION

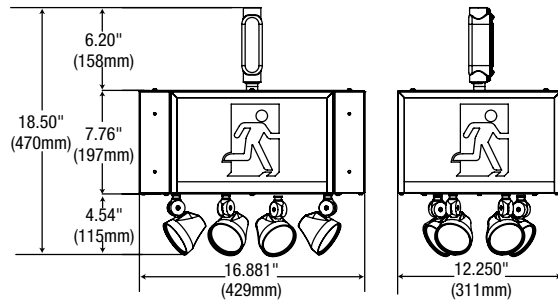


Comes standard with three pictogram legends for direction selection for each face.

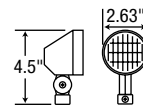
Data is based upon tests performed in a controlled environment. Actual performance can vary depending on operating conditions. All products are subject to change or may be discontinued any time without notice.

DIMENSIONS

WITH PAR18



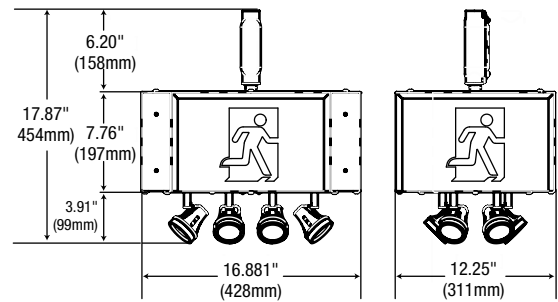
PAR18 HEAD



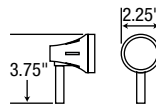
TYPE N • PAR18

Thermostatic
5 W max.

WITH MR16



MR16 HEAD



TYPE S • MR16

Die cast
7 W max.

Data is based upon tests performed in a controlled environment. Actual performance can vary depending on operating conditions. All products are subject to change or may be discontinued any time without notice.