

Series Spec Sheet

MOTION SENSOR EDGELIT INTEGRATED PIR LED CEILING LUMINAIRE

7"

The LED Motion Sensor EDGELIT ceiling luminaire has a sleek design including an embedded PIR (Passive Infrared) sensor. This luminaire helps save energy by automatically turning on when motion is detected and off when there is no motion. It can be easily installed, with a twist-lock installation, flush to a wall or ceiling. Offered in white, it will fit any type of application from a kitchen pantry, a closet, a laundry room, an attic or even a hallway.

FEATURES AND SPECIFICATIONS

• Construction

Finish

- Housing material: Plastic
- White finish
- Frosted lens
- Available size: 7"

Mounting

- Surface mounted
- Easy twist-lock installation, no visible screws

• Technical specifications

- Sensor Type : PIR
- Automatic ON/OFF – no wall switch required
- 120 VAC
- Color temperature : 3 000K, 4 000 K
- Estimated lifespan of 50 000 hours to L70
- CRI 80+
- Suitable for Damp Location
- Operation temperature : -30°C to 45°C (-22°F to 113°F)

• PIR Sensor Functions

- 5 meter (16.4 ft) detection range, refer to diagram
- After 60 seconds of no movement detection, the ceiling luminaire will turn off

• Compliances

- Meets requirements of ICES-005 class B
- Energy Star
- cULus



OVERVIEW

Light source	LED
Watts (W)	12
Lumen output (lm)	840
Efficiency (lm/W)	70
Color temperature (K)	3000, 4000
CRI	80+
Weight (lbs)	0.82



ICES
005



indoor



QUICK SHIP AND TECHNICAL SPECIFICATION TABLE 🕒¹

Order code	Model number	Watts (W)	Volts (VAC)	Color temp. (K) ²	Lumen (lm) ³	Efficiency (lm/W)	CRI	Life L70 (hrs) ⁴	Shape	Finish	Sensor type	Dimming (Yes/No)	Power factor	THD (%)	Case qty (master)
68466	CLEL7/S2/MS/12W/30K/RND/WH	12	120	3000	840	70	>80	50 000	Round	White	PIR	No	>0.9	<50	20
68467	CLEL7/S2/MS/12W/40K/RND/WH	12	120	4000	840	70	>80	50 000	Round	White	PIR	No	>0.9	<50	20

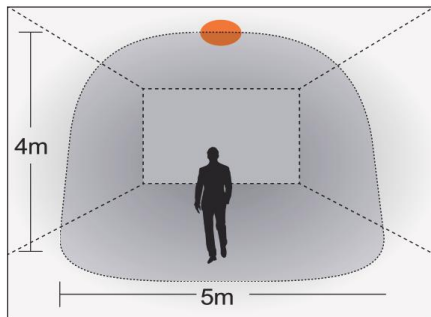
¹ **QUICK SHIP:** Product availability is subject to change without notice. Please contact your Stanpro customer service representative to confirm inventory levels at time of order.

² Typical color temperature range: +/- 5 %.

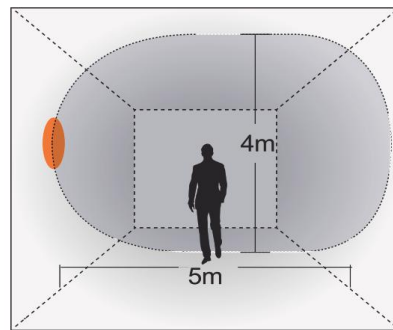
³ Lumen values are derived from Energy Star.

⁴ Life hours are derived from IESNA LM-80-08 testing report and projected per IESNA TM-21-11 extrapolations.

DETECTION PATTERN

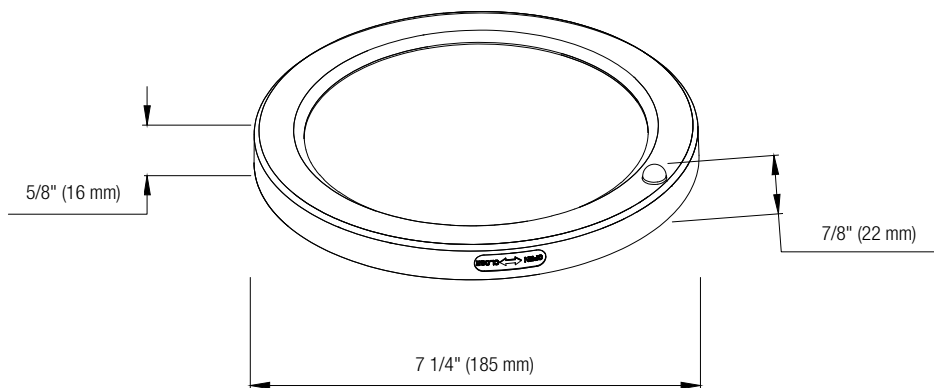


ceiling mounting pattern (m)



wall mounting pattern (m)

DIMENSIONS

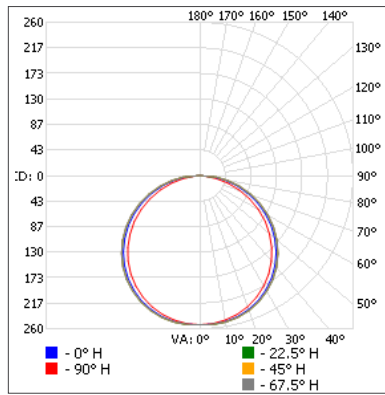


Data is based upon tests performed in a controlled environment. Actual performance can vary depending on operating conditions. All products are subject to change or may be discontinued any time without notice.

PHOTOMETRIC DATA¹

68466 • CLEL7/S2/MS/12W/30K/RND/WH • 816.7 lm

Polar candela distribution



Zonal lumen summary

Zone	Lumens	% Fixture
0-30	202.4	24.8
0-40	335.9	41.1
0-60	612.0	74.9
60-90	204.7	25.1
70-100	96.4	11.8
90-120	0	0
0-90	816.7	100
90-180	0	0
0-180	816.7	100

Illuminance at a distance

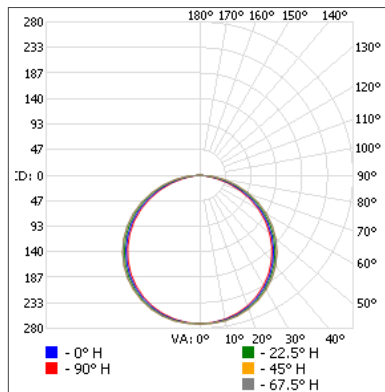
Center beam fc	Beam width
1.7'	87.5
3.3'	23.2
5.0'	10.1
6.7'	5.64
8.3'	3.67
10.0'	2.53

Beam width	Beam height
6.0'	5.3'
11.6'	10.4'
17.6'	15.7'
23.5'	21.1'
29.1'	26.1'
35.1'	31.4'

■ Vert. spread: 120.7°
■ Horiz. spread: 115.1°

68467 • CLEL7/S2/MS/12W/40K/RND/WH • 848.0 lm

Polar candela distribution



Zonal lumen summary

Zone	Lumens	% Fixture
0-30	215.6	25.4
0-40	357.1	42.1
0-60	647.5	76.4
60-90	200.5	23.6
70-100	89.7	10.6
90-120	0	0
0-90	848.0	100
90-180	0	0
0-180	848.0	100

Illuminance at a distance

Center beam fc	Beam width
1.7'	93.8
3.3'	24.9
5.0'	10.8
6.7'	6.04
8.3'	3.93
10.0'	2.71

Beam width	Beam height
5.6'	5.4'
10.8'	10.4'
16.4'	15.7'
22.0'	21.1'
27.2'	26.1'
32.8'	31.5'

■ Vert. spread: 117.2°
■ Horiz. spread: 115.2°

¹ Complete IES files available on our website.

Data is based upon tests performed in a controlled environment. Actual performance can vary depending on operating conditions. All products are subject to change or may be discontinued any time without notice.