

## Series Spec Sheet

# MOTION SENSOR DISK LIGHT

## INTEGRATED PIR LED CEILING LUMINAIRE

The LED Motion Sensor Disk light has a traditional ceiling luminaire look and includes an embedded PIR (Passive Infrared) sensor. This luminaire not only offers a practical and cost efficient solution but also helps saving energy by automatically turning on when motion is detected and off when there is no motion.

Easily installed, it will fit any type of application from a kitchen pantry, a closet, a laundry room, an attic or even a hallway.

### FEATURES AND SPECIFICATIONS

#### • Construction

- Physical Characteristics
  - White steel housing
  - Frosted polycarbonate lens, easy twist-lock
  - Embedded PIR sensor
  - Size : 7"

#### Mounting

- Surface mounted
- Easy keyhole installation

#### • Performance Data

- Available in 4 000 K single color temperature
- 80+ CRI
- Electrical Ratings: 120 V
- Estimated life of 50 000 hours to L70
- Operating temperature range:
  - 20 °C to 40 °C (- 4 °F to 104 °F)
- Sensor Type: Passive Infrared with a 5 meter (16 feet) detection range, refer to diagram
- Automatic ON/OFF – no wall switch required
- The motion sensor is set always on ON and the hold time is 3 minutes

#### • Compliances

- cETLus listed for wet location
- Energy Star
- Meets requirements of ICES-005 issue 5 class B for usage in residential applications



### OVERVIEW

|                       |       |
|-----------------------|-------|
| Light source          | LED   |
| Watts (W)             | 14    |
| Lumen output (lm)     | 1 000 |
| Efficiency (lm/W)     | 70    |
| Color temperature (K) | 4 000 |
| CRI                   | 80+   |
| Net weight (lbs) :    | 0.68  |



wet location



ICES 005



**QUICK SHIP AND TECHNICAL SPECIFICATION TABLE** 🕒<sup>1</sup>

| Order code  | Model number        | Watts (W) | Volts (VAC) | Color temp. (K) <sup>2</sup> | Lumen output (lm) <sup>3</sup> | Efficiency (lm/W) | CRI | Life L70 (hrs) <sup>4</sup> | Beam angle (°) | Housing finish | Lens finish | Dimmable (Yes/No) | Power Factor | Case qty (master) |
|-------------|---------------------|-----------|-------------|------------------------------|--------------------------------|-------------------|-----|-----------------------------|----------------|----------------|-------------|-------------------|--------------|-------------------|
| 7"<br>68378 | CLDKMS7-R14W-A/40WH | 14        | 120         | 4 000                        | 1 000                          | 70                | 80+ | 50 000                      | 100            | White          | Frosted     | No                | >0.90        | 24                |

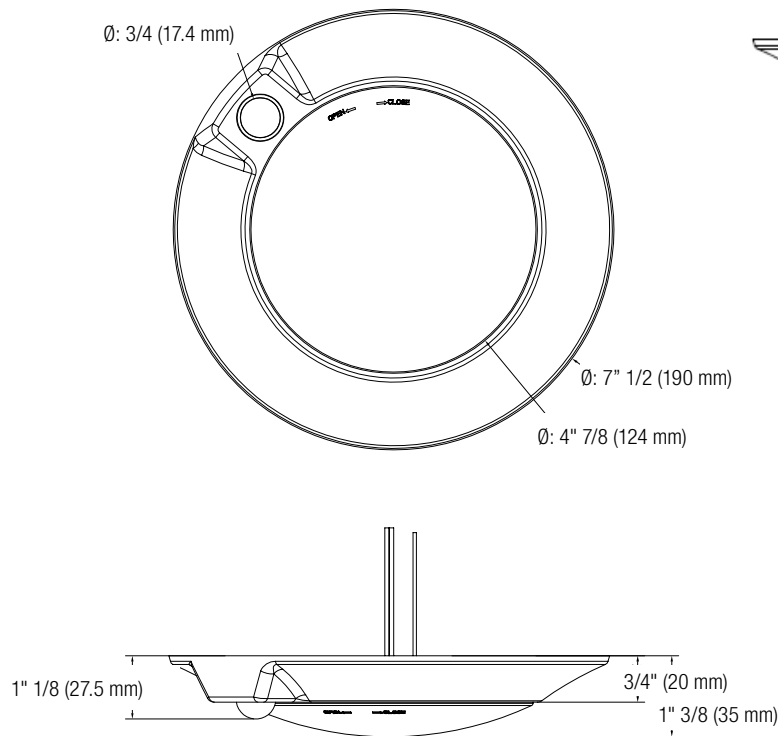
<sup>1</sup> **QUICK SHIP:** Product availability is subject to change without notice. Please contact your Stanpro customer service representative to confirm inventory levels at time of order.

<sup>2</sup> Typical color temperature range: +/- 5 %.

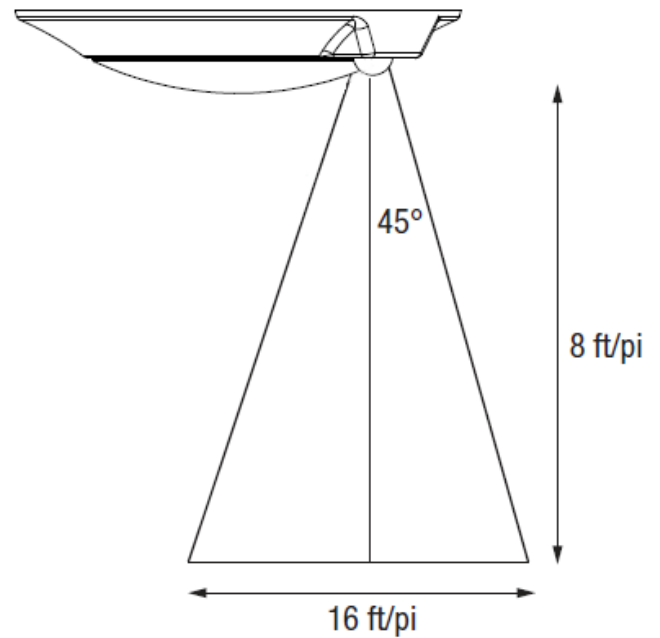
<sup>3</sup> Lumen values are derived from Energy Star reported data.

<sup>4</sup> Life hours are derived from IESNA LM-80-08 testing report and projected per IESNA TM-21-11 extrapolations.

**DIMENSIONS**



**DETECTION AREA**

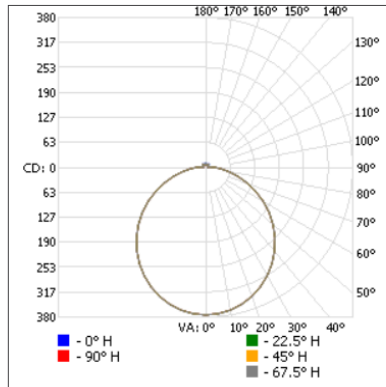


Data is based upon tests performed in a controlled environment. Actual performance can vary depending on operating conditions. All products are subject to change or may be discontinued any time without notice.

**PHOTOMETRIC DATA<sup>1</sup>**

68378 • CLDKMS7-R14W-A/40WH • 1 183.6 lm

**Polar candela distribution**



**Zonal lumen summary**

| Zone   | Lumens  | % Fixture |
|--------|---------|-----------|
| 0-30   | 290.4   | 24.5      |
| 0-40   | 476.7   | 40.3      |
| 0-60   | 849.9   | 71.8      |
| 60-90  | 275.8   | 23.3      |
| 70-100 | 151.2   | 12.8      |
| 90-120 | 27.6    | 2.3       |
| 0-90   | 1 125.7 | 95.1      |
| 90-180 | 57.9    | 4.9       |
| 0-180  | 1 183.6 | 100       |

**Illuminance at a distance**

|       | Center beam fc | Beam width  |
|-------|----------------|-------------|
| 1.7'  | 129            | 5.3' 5.3'   |
| 3.3'  | 34.4           | 10.3' 10.3' |
| 5.0'  | 15.0           | 15.6' 15.5' |
| 6.7'  | 8.34           | 20.9' 20.8' |
| 8.3'  | 5.43           | 25.8' 25.8' |
| 10.0' | 3.74           | 31.1' 31.1' |

■ Vert. spread: 114.6°  
■ Horiz. spread: 114.5°

<sup>1</sup> Complete IES files available on our website.

Data is based upon tests performed in a controlled environment. Actual performance can vary depending on operating conditions. All products are subject to change or may be discontinued any time without notice.