

SPW

SPECIAL WORDING OPTION

Custom Wording or Graphic Image

Black Out & White Out

Custom Colours

The SPW special wording option can be used in a variety of applications. From ADA compliant signs to corporate logos, nearly any custom wording or graphic can be applied to an Stanpro exit sign series.

OPTIONS AND SPECIFICATIONS

- **Options**

Special wording signs can be combined with additional options as applications require. The AC Flasher option will cause the sign to illuminate and then darken at a rate of about once per second. The black out option adds a opaque, dark panel over the special wording. The panel masks the special wording until the sign is illuminated, thereby preventing false notification of the sign's message. Similarly, the white out option places a white, opaque panel over the lettering to achieve the same result. All of these options are typically added to normally off signs only.

- **Light source**

Typical special wording signs utilize either an incandescent or LED light source. Since LED exits are either red or green LED based, special wording signs specified for LED must use either a red or green lettering/graphic. Incandescent special wording signs can utilize any combination of colours, contact Stanpro with your specifications.

- **Overview**

The following special wording signs are available to replace any standard Exit sign legend. Please add the suffix OP + the chosen sign number to the catalogue number. Contact your Stanpro representative for any other special wording requirement.



BLACK OUT OPTION

NORMAL / OFF CONDITION



ACTIVATED / ON CONDITION



WHITE OUT OPTION

NORMAL / OFF CONDITION



ACTIVATED / ON CONDITION



ADA SIGNAGE

Signs are available in many colours, please specify when ordering. No. OP5
 - Area of Rescue assistance can be supplied with a Red legend and Blue wheelchair symbol, specify No. OP5RBW.

LED EXIT SIGNAGE

The special signage legends are available as either Red (RL) or Green (GL) stencil legends on opaque background colour either White (W) or Black (B). The letter colour and background colour should be added as a suffix to the legend number as follows:

Letters	White Background	Black Background
RED	OP_RLW	OP_RLB
GREEN	OP_GLW	OP_GLB

Add legend number, color and background color to catalogue number when ordering.

Data is based upon tests performed in a controlled environment. Actual performance can vary depending on operating conditions.
 All products are subject to change or may be discontinued any time without notice.

SPECIAL WORDING EXAMPLES

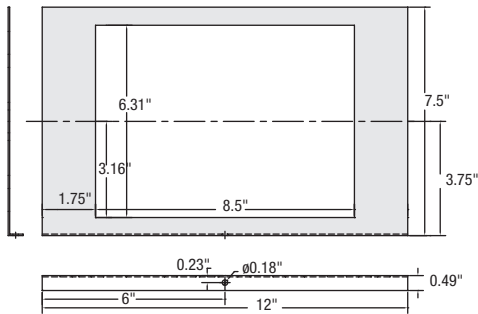
Special wording signs can be customised. There are some examples of our possibilities.

- | | | | |
|---------------------------------------|--------------------------------------|-------------------------------------|-----------------------------------|
| – AREA OF EVACUATION | – EMERGENCY EXIT ONLY | – NO ENTRE | – STEP UP |
| – AREA OF REFUGE | – ENTRANCE | – NO ENTRY | – STEPS |
| – AREA OF RESCUE ASSISTANCE | – ESCALERA | – NO ENTRY – IN USE | – STOP |
| – ATM | – EXIT | – NO EXIT | – STUDIO ON AIR – EN ONDE |
| – ATTENTION ZONE DE RADIATION | – FILE READY | – NO SMOKING | – SUPPRESSION GAS DISCHARGE |
| – BAR | – FIRE | – NOT AN EXIT | – TAXI |
| – BARRIER FREE ENVIRONMENT | – FIRE ALARM | – OCCUPIED | – TELEPHONE |
| – BEAM IN USE | – FIRE ESCAPE | – OFFICE | – TEST IN PROGRESS |
| – BEAM ON | – FIRE EXIT ONLY | – ON AIR | – TIME MACHINE |
| – BRIEFING IN PROGRESS | – FIRE HOSE | – ON GENERATOR | – TO EXIT |
| – CAUTION MAGNET IN USE | – FIRE RESCUE | – ON THE AIR | – TOILET IN USE |
| – CAUTION MAGNET IN USE | – FIRST AID | – OPEN | – TOILET ROOM ASSISTANCE |
| – CAUTION STEP DOWN | – FULL | – OPERACION | – TUB IN USE |
| – CAUTION STEPS | – HALO DISCHARGE | – OPERANDO | – TV STUDIO IN USE |
| – CLASSIFIED BRIEFING DO NOT ENTER | – HALO DISCHARGE – DO NOT ENTER | – PAINTING IN PROCESS | – UNCLEARED PERSONNEL IN AREA |
| – CLOSED | – HANDICAP ACCESSIBLE ROUTE | – POINT OF RESCUE | – UP ELEVATOR |
| – COAT ROOM | – HANDICAP ELEVATOR | – QUIET | – UV IN USE |
| – CRY ROOM | – HELP | – QUIET PLEASE – SERVICE IN SESSION | – UV LIGHT IN USE |
| – CT IN USE | – HOMBRES | – QUIET PLEASE COURT IN SESSION | – UV RADIATION |
| – DANGER | – HOSE | – QUOROFANO EN USO | – WARNING |
| – DANGER HIGH VOLTAGE | – IN USE | – RADIATION IN USE | – WARNING DO NOT ENTER |
| – DARK ROOM | – INTERMISSION | – RADIATION ON | – WARNING DO NOT ENTER LOW OXYGEN |
| – DARKROOM ENTRANCE | – JURY ON DUTY | – RAYON X EN COURS | – WARNING GASES PRESENT |
| – DARKROOM IN USE | – LADIES | – RAYON-X | – WOMEN |
| – DÉFENSE D'ENTRER | – LASER IN USE | – READY | – X-RAY |
| – DO NO ENTER – IN USE | – LASER IN USE DO NOT ENTER | – RECORDING IN SESSION | – X-RAY IN USE |
| – DO NOT ENTER | – LASER ON | – RESPIRATOR REQUIRED | – X-RAY IN USE – DO NOT ENTER |
| – DO NOT ENTER – PAINTING IN PROGRESS | – LASTER/X-RAY IN USE | – REST ROOM | – X-RAY ON |
| – DO NOT ENTER CONFERENCE IN SESSION | – LOBBY | – REST ROOMS | – XRAY ON – DO NOT ENTER |
| – DO NOT EXIT | – MAGNET ON | – ROOM IN USE | – X-RAY ROOM IN USE |
| – DO NOT OPEN | – MAIL IS UP | – ROOM IN USE - DO NOT ENTER | – X-RAY WARNING |
| – DO NOT USE ELEVATOR | – MEETING IN PROGRESS | – SALIDA | |
| – DOOR | – MEN | – SALIDA DE EMERGENCIA | |
| – DOWN ESLACATOR | – MRI IN USE | – SALLE OPERATION EN UTILISATION | |
| – ELEVATOR | – MUJERES | – SLEEP STUDY IN PROGRESS | |
| – EMERGENCY EXIT | – NEEDS ATTENTION | – SORTIE | |
| | – NITROGEN ATMOSPHERE – DO NOT ENTER | – STAIRS | |
| | | – STEP DOWN | |

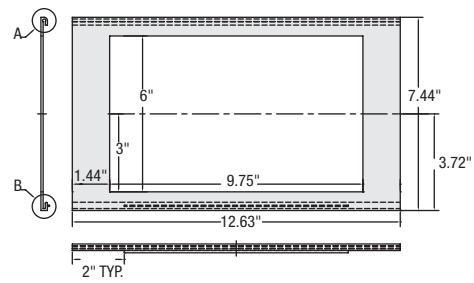
Data is based upon tests performed in a controlled environment. Actual performance can vary depending on operating conditions. All products are subject to change or may be discontinued any time without notice.

DIMENSIONS

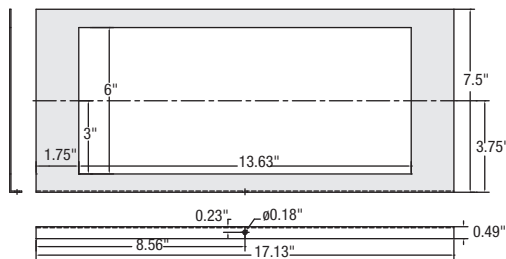
EXIT STEEL



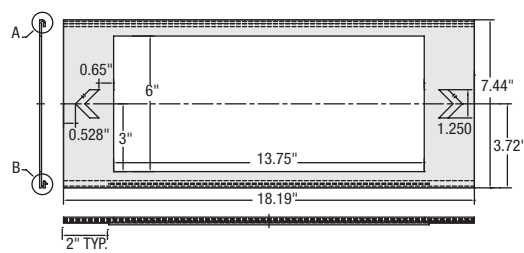
EXIT ALUMINUM



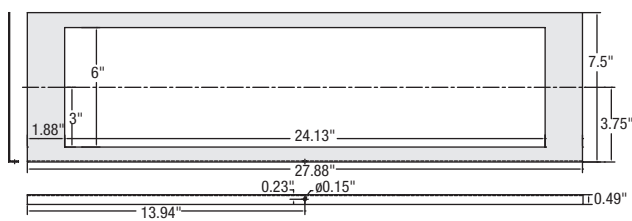
SORTIE STEEL



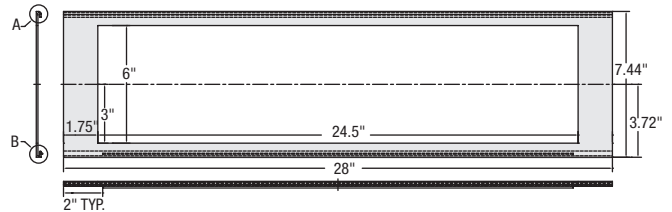
SORTIE ALUMINUM



BILINGUAL STEEL



BILINGUAL ALUMINUM



Data is based upon tests performed in a controlled environment. Actual performance can vary depending on operating conditions. All products are subject to change or may be discontinued any time without notice.