

PRMQ DIE CAST ALUMINUM LED COMBINATION SERIES

The PRMQ series of commercial decorative die cast aluminum combination running man signs are the perfect match of aesthetics and durability. Its unique new design provides spec-grade die cast running man signs with LED emergency lights in a low-profile frame and a spec-grade curved faceplate. The series has been designed with ultra bright, energy efficient, long-lasting white LED lamps for the exit sign and ultra bright white LED lamps in the emergency lighting heads. Faceplates have a quick-snap closure for ease of installation. Suitable for damp locations.

FEATURES AND SPECIFICATIONS

• Circuitry

- LED ultra bright light source
- 120/347 VAC field selectable, or 277 VAC
- High-performance 8.4 V, 1.6 AH Ni-Cad batteries
- 120 minutes emergency power duration
- Momentary push button test switch
- Pilot LEDs for AC ON and CHARGE
- High performing 3 W LEDs
- Recharge time is 24 hours

• Mechanical

- Die cast aluminum frame and faceplate
- Die cast canopy include ceiling or end mount
- Spider knockout pattern stamped into the inside of the back plate
- Polycarbonate lens easily removed for ease of aiming
- Brushed aluminum frame and faceplate finish standard, black or white powder coat optional

• Approvals

- CSA Certified to C22.2 #141-15
- CSA Certified to C860-11

• Compliance

- Meets requirements of ICES-005



OVERVIEW

Light source	LED
Input voltage (VAC)	120/347 or 277
Sign AC power consumption	120 VAC = 1.80 W 277 VAC = 1.40 W 347 VAC = 1.70 W
Output voltage (VDC)	8.4
Output capacity (W)	0.90



ORDERING GUIDE

PRMQ				— 2	B	03L		/
Series	Nbr of faces	Frame / back colour	Face colour	Nbr of heads	Head / Lamp	Lamp (W)	Input voltage (VAC)	Options
PRMQ	1 - Single face 2 - Double face	BA - Brushed aluminum BK - Black WH - White	BA - Brushed aluminum BK - Black WH - White	2 - 2 heads	B - Integrated	03L - 3 LED	Blank - 120/347 E - 277	0 - No indicators (double face only) ↓ ↑ ↗ ↘ ↙ ↘ D U UR DR DL UL

WIREGUARD¹

	Part number	Dimensions (in)
Wall mount	WGD590	15.25x14.25x6.75
Ceiling mount	WGD650	13.75x12.25x16.5
End mount	WGD650	13.75x12.25x16.5

¹Please contact your customer service representative for more information.

CONFIGURATION



Comes standard (single face) with three pictogram legends for direction selection.

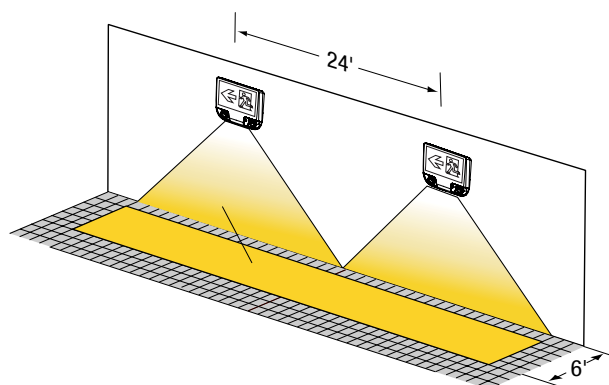
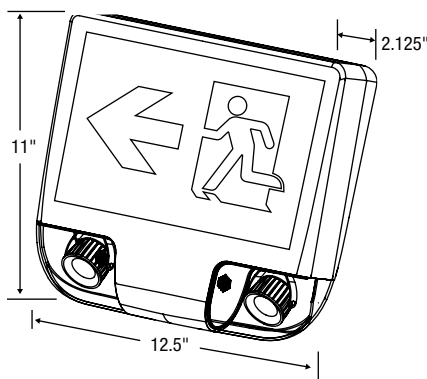


Comes standard (double face) with two pictogram legends.



For double face no arrow options, select "0" on the options column.

DIMENSIONS



24' spacing on a 6' path mounted at 8'.

Data is based upon tests performed in a controlled environment. Actual performance can vary depending on operating conditions. All products are subject to change or may be discontinued any time without notice.