

HXZ DECO SUSPENDED

Family of decorative suspended luminaires for general illumination in medium to high ceiling applications such as offices, malls and retail spaces where long life and energy efficient operation is desirable.

FEATURES AND SPECIFICATIONS

• Construction

Housing

Extruded and anodized aluminum. The luminaire includes decorative rods and lens with center hole for a clean line design.

Reflector

Prismatic UV-Stabilized. 16" prismatic refractors are a practical and aesthetic solution for public areas. The acrylic refractor produces a soft, diffused glow to put the right light in the area with 15 to 20% uplight.

Mounting

Junction box with hook is standard.

• Electrical

- **M:** Metal halide 50 W to 250 W
- **P:** Pulse-start metal halide 150 W to 250 W
- **V:** (PAR36) Color Arc® MH 96 CRI 70 W, 150 W
- **N:** Incandescent 200 W

• Compliances

- CSA Certified to C22.2 #250
- UL1598

OVERVIEW

Light source	HID - Incandescent
Watts (W)	50 - 250
Color temperature (K)	3 000, 3 200, 4 000, 4 500, 6 500



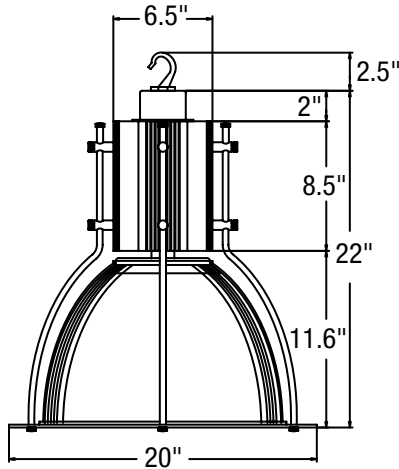
REFLEXOR®
by LEXALITE®

ORDERING GUIDE

Series	Lamp type	Watts (W)	Volts (V)	Color temp. (K) ²	Options
HXZ	M - Metal halide	0050 ¹ - 50	P - 120/277/347	30K - 3 000	NL - No lamp AC - Aviation cable CC - Coiled power cord (277 V max) CD ³ - 80-series CRI ceramic lamp technology (CRI of 92 and more) C - Coated lamp CLR - Clear reflector MP - Open-rated lamp U - Twist-lock plug PM-075 - Pendant mount 3/4" NPT DIM1 - Dimmable CFL ballast low voltage (0-10 VDC) DIM2 - Dimmable CFL ballast Line voltage INT - Interface FR - Frosted acrylic reflector
		0070 ¹ - 70		32K - 3 200	
	0100 ¹ - 100	B - 208 K - 480 S - 600 V - 120/240 P - 120/277/347	40K - 4 000		
	0150 ¹ - 150		45K - 4 500		
		0175 ¹ - 175		65K - 6 500	
		0250 ¹ - 250			
	P - Pulse-start metal halide	0175 ¹ - 175	P - 120/277/347	32K - 3 200	
		0200 ¹ - 200		40K - 4 000	
		0250 ¹ - 250			
	V - (PAR36) Color Arc® MH 96 CRI	0070 - 70	P - 120/277/347	32K - 3 200	
		0150 - 150			
	N - Incandescent	0150 - 150	A - 120	N/A	

¹ These require an open-rated lamp /MP.
² Contact factory for availabilities.
³ Some lamp types require a lens, contact factory.

DIMENSIONS



Data is based upon tests performed in a controlled environment. Actual performance can vary depending on operating conditions. All products are subject to change or may be discontinued any time without notice.