

HXS DECO SUSPENDED

Family of decorative suspended luminaires for general illumination in medium to high ceiling applications such as offices, malls and retail spaces where long life and energy efficient operation is desirable.

FEATURES AND SPECIFICATIONS

• Construction

Housing

Extruded and anodized aluminum. Luminaire includes cast and formed decorative rods and lens with center hole for clean line design.

Reflector

Prismatic UV-Stabilized. 12" prismatic refractors are a practical and aesthetic solution for public areas. The acrylic refractor produces a soft, diffused glow to put the right light in the area with 15 to 20% uplight.

Mounting

Junction box with hook is standard.

• Electrical

- M: Metal halide 50 W to 150 W
- P: Pulse-start metal halide 70 W to 150 W
- N: Incandescent 150 W

• Compliances

- CSA Certified to C22.2 #250
- UL1598

OVERVIEW

Light source	HID
Watts (W)	50 - 150
Color temperature (K)	3200, 4000, 5500



HID
fixture



incandescent
fixture



ORDERING GUIDE

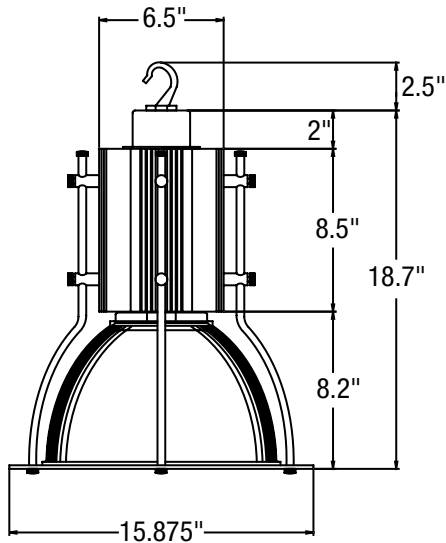
Series	Lamp type	Watts (W)	Volts (V)	Color temp. (K) ²	Options
HXS	M - Metal halide	0050 ¹ - 50 0070 ¹ - 70 0100 ¹ - 100 0150 ¹ - 150	P - 120/277/347	32K - 3 200 40K - 4 000 55K - 5 500	NL - No lamp AC - Aviation cable CC - Coiled power cord (277 V max) CD³ - 80-series CRI ceramic lamp technology (M-lamp for 96 CRI lamps - see lamp type code V) DIM1 - Dimmable CFL ballast low voltage (0-10 VDC) DIM2 - Dimmable CFL ballast Line voltage C - Coated lamp CLR - Clear reflector MP - Open-rated lamp U - Twist-lock plug INT - Interface PM-075 - Pendant mount 3/4" NPT FR - Frosted acrylic reflector
	V - (PAR36) Color Arc® MH 96 CRI	0070 - 70 0150 - 150	P - 120/277/347	32K - 3 200	
	N - Incandescent	0150 - 150	A - 120	N/A	

¹ These require an open-rated lamp /MP.

² Please call factory for availability.

³ A cover is required for some lamps. Please contact factory.

DIMENSIONS



Data is based upon tests performed in a controlled environment. Actual performance can vary depending on operating conditions. All products are subject to change or may be discontinued any time without notice.