

HXD DECO SUSPENDED

Family of decorative suspended luminaires for general illumination in medium to high ceiling applications such as offices, malls and retail spaces where long life and energy efficient operation is desirable.

FEATURES AND SPECIFICATIONS

• Construction

Housing

Extruded and anodized aluminum. Luminaire includes cast and formed decorative rods and lens with center hole for clean line design.

Reflector

Anodized aluminum reflector. Anodization of the spun 12" aluminum reflector helps to maintain a uniform, reflective finish. This smooth reflective finish, combined with the optimal lamp position, ensures even distribution and high efficiency.

Mounting

Junction box with hook is standard.

• Electrical

- **M:** Metal halide 50 W to 175 W
- **P:** Pulse-start metal halide 175 W
- **V:** (PAR36) Color Arc® MH 96 CRI 70 W, 150 W
- **N:** Incandescent 150 W

• Compliances

- CSA Certified to C22.2 #250
- UL1598

OVERVIEW

Light source	HID - Incandescent
Watts (W)	50 - 175
Color temperature (K)	3 000, 3 200, 4 000, 4 500, 6 500



HID
fixture



incandescent
fixture



ORDERING GUIDE

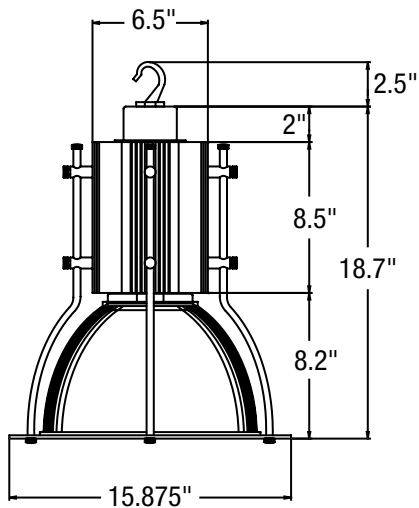
Series	Lamp type	Watts (W)	Volts (V)	Color temp. (K) ²	Options
HXD	M - Metal halide	0050 ¹ - 50	P - 120/277/347	30K - 3 000	NL - No lamp AC - Aviation cable CC - Coiled power cord (277 V max) CD³ - 80-series CRI ceramic lamp technology (M-lamp for 96 CRI lamps - see lamp type code V) C - Coated lamp MP - Open-rated lamp U - Twist-lock plug PM-075 - Pendant mount 3/4" NPT DIM1 - Dimmable CFL ballast low voltage (0-10 VDC) DIM2 - Dimmable CFL ballast Line voltage
		0070 ¹ - 70		32K - 3 200	
	0100 ¹ - 100	B - 208 K - 480 S - 600 V - 120/240 P - 120/277/347	40K - 4 000		
	0150 ¹ - 150		45K - 4 500		
		0175 ¹ - 175		65K - 6 500	
	P - Pulse-start metal halide	0175 ¹ - 175	P - 120/277/347	32K - 3 200 40K - 4 000	
	V - (PAR36) Color Arc® MH 96 CRI	0070 - 70 0150 - 150	P - 120/277/347	32K - 3 200	
	N - Incandescent	0150 - 150	A - 120	N/A	

¹ These require an open-rated lamp /MP.

² Contact factory for availabilities.

³ A cover is required for some lamps, please contact factory.

DIMENSIONS



Data is based upon tests performed in a controlled environment. Actual performance can vary depending on operating conditions. All products are subject to change or may be discontinued any time without notice.