

PROJECT:

DISTRIBUTOR:

DRAWN BY:

CATALOGUE #:

CONTRACTOR:

DATE:

TYPE:

PO:



VTL4 GEN.3 LED SLIM 4' VAPOR TIGHT

STANPRO

SPEC SHEET

3 CCT AND 3 POWER SELECTABLE

FEATURES AND SPECIFICATIONS

CONSTRUCTION

Physical Characteristics

- Lightweight, slim and durable impact-resistant polycarbonate construction
- Easy installation and maintenance. Gear tray is attached to the lens exposing the internal components when the fixture is in open position
- Change the color temperature and desired lumen output with the simple touch of a button
- Uniform gasketed seal and reinforced stainless steel clips block the ingress of moisture and dust
- Pre-drilled end-holes and two watertight glands are offered with each fixture to preserve integrity of internal components

Mounting

Surface (ceiling/wall), suspended or 90° surface mounting. Set of 2 V-hooks and 2 stainless steel mounting clips included with each fixture for surface or suspended mounting with chain or aviation cable

Lens

The frosted LED diffusing pigment lens provides uniform light distribution and has been UV stabilized to ensure that there is no yellowing over time. This impact-resistant polycarbonate lens is impervious to rust or rot and is unaffected by extreme temperatures

BLUETOOTH® MESH CONTROL

Integrated Bluetooth® mesh technology allows for controllable features via the Stanpro Genio APP or by using the smart wall switches (sold separately). Controllable features include:

- Dimming
- Programming high frequency motion sensor
- Create groups, scenes, schedules and more

COMPLIANCES

- Suitable for damp and wet locations
- IP66
- Meets requirements of ICES-005 class A
- UL1598, UL8750
- cETLus certified
- cCSAus
- NSF certified (Splash Zone and Non Food Zone)
- NEMA 4X certified
- IK10 (lens and housing)
- DLC Premium and Standard
- BC Hydro

PERFORMANCE DATA

- Available in 3 500/4 000/5 000 K selectable color temperature
- 80+ CRI
- Electrical ratings: 120-347 V
- Estimated life of over 54 000 hours to L70
- 0-10 V dimming driver (dimming cables not included)
- 2.5 kV surge protection (standard)
- Operating temperature: -40 °C to +40 °C (-40 °F to +104 °F)



3 CCT



POWER
SELECTABLE



5 YEARS
WARRANTY



Not all products are qualified on the DLC QPL. To view our DLC qualified products, please consult the DLC Qualified Products List at www.designlights.org/search.

QUICK SHIP AND TECHNICAL SPECIFICATION TABLE

Type	Order Code	Model Number	Watts (W)	Volts (V AC)	Color Temp. (K) ¹	Lumen Output (lm) ^{2,3}	Efficacy (lm/W)	CRI	Life L70 (hrs) ⁴	Tested Hours LM-80 (hrs) ⁴	Dimming	Power Factor	THD (%)	Master Case QTY
Without Integrated Sensor														
	70482	VTL4-3-PS1-Q-3C	30/40/50	120-347	3 500/4 000/5 000	4 320-7 200	144	80+	54 000	54 000	0-10 V	≥0.90	≤20	6
	70483	VTL4-3-PS2-Q-3C	30/45/60	120-347	3 500/4 000/5 000	4 500-9 000	150	80+	54 000	54 000	0-10 V	≥0.90	≤20	6
With Integrated Sensor⁵														
	70535	VTL4-3-PS1-Q-3C-BMS	30/40/50	120-347	3 500/4 000/5 000	4 320-7 200	144	80+	54 000	54 000	0-10 V	≥0.90	≤20	6
	70536	VTL4-3-PS2-Q-3C-BMS	30/45/60	120-347	3 500/4 000/5 000	4 500-9 000	150	80+	54 000	54 000	0-10 V	≥0.90	≤20	6

¹Typical color temperature range: +/- 5 %

²Lumen values are derived from photometric testing. Initial lumens range: +/- 10 %.

³Lumen values are based on 4 000 K default programming. Please refer to the LUMEN SPECIFICATION TABLE for more details on other color temperatures.

⁴Life hours are derived from IESNA LM-80 testing report and projected per IESNA TM-21 extrapolations.

⁵Motion detection parameters can be set through the Genio app via smartphone.

DLC UNIQUE ID TABLE

Order Code	Model Number	DLC Premium Unique ID		DLC Standard Unique ID	
		Stairwell	Direct Linear Ambient	Low-Bay	
70482	VTL4-3-PS1-Q-3C	S-CN9BRR	S-GRLQQZ	S-WSK9NR	
70483	VTL4-3-PS2-Q-3C	S-3JC02P	S-MB8352	S-0VGRJM	
70535	VTL4-3-PS1-Q-3C-BMS	S-CN9BRR	S-GRLQQZ	S-WSK9NR	
70536	VTL4-3-PS2-Q-3C-BMS	S-3JC02P	S-MB8352	S-0VGRJM	

ORDERING GUIDE

Dropdown selections may not display correctly in web browsers. For full functionality, please download the file to use all features.

Series	Generation	Lumen Package (W)	Volts (V)	Color Temp. (K)	Option
VTL4	3	PS1 - 30/40/50 PS2 - 30/45/60	Q - 120-347	3C - 3 500/4 000/5 000	Blank - No sensor OS ^{1,2} - Occupancy sensor L6-DIM - 6ft cord with 5-wire dimming White L6-DIM-BK - 6ft cord with 5-wire dimming Black L10-DIM - 10ft cord with 5-wire dimming White L10-DIM-BK - 10ft cord with 5-wire dimming Black KV - 10kV surge protector CH ² - Center hole 7/8"

¹To see available options, please consult the occupancy sensors section

²When selecting CH and OS (external) options, the fixture maintains wet location status, however NEMA 4X and IP rating are not applicable

LUMEN SPECIFICATION TABLE

Order Code	Model Number	Watts (W)	3 500 K		4 000 K		5 000 K		Default Programming
			Lumen Output (lm)	Efficacy (lm/W)	Lumen Output (lm)	Efficacy (lm/W)	Lumen Output (lm)	Efficacy (lm/W)	
70482	VTL4-3-PS1-Q-3C	30	4 320	144	4 380	146	4 350	145	50 W / 4 000 K
70535	VTL4-3-PS1-Q-3C-BMS	40	5 680	142	5 800	145	5 720	143	
		50	7 000	140	7 200	144	7 050	141	
70483	VTL4-3-PS2-Q-3C	30	4 500	150	4 620	154	4 530	151	60 W / 4 000 K
70536	VTL4-3-PS2-Q-3C-BMS	45	6 615	147	6 840	152	6 660	148	
		60	8 700	145	9 000	150	8 760	146	

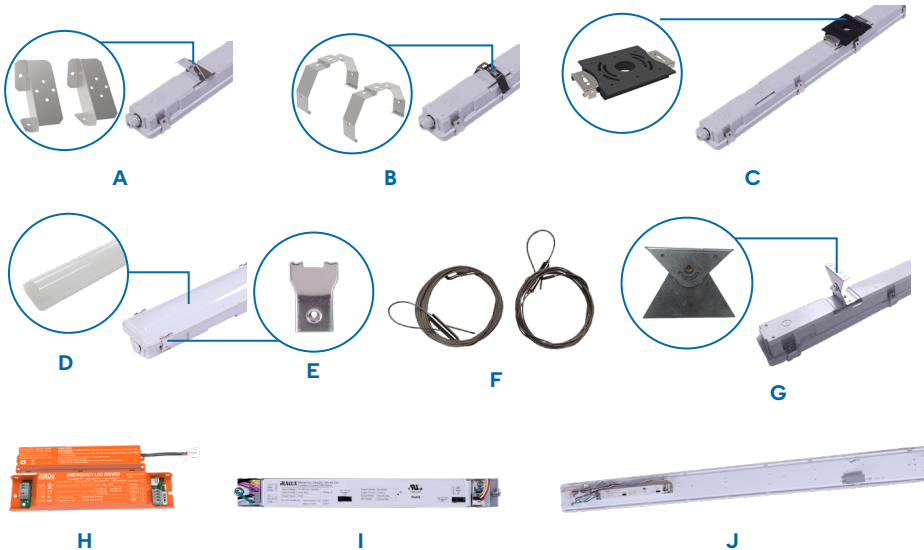
ACCESSORIES*

Order Code	Type	Compatible With	Figure
69589	90° Angle Brackets (2pcs)	All configurations	A
70510	Tamper proof brackets 4' (2pcs)	All configurations	B
69668 ¹	Junction box bracket (1pc)	All configurations	C
69588	Replacement surface mounting brackets and V-Hooks (2pcs)	All configurations	-
70539	Replacement 4ft frosted polycarbonate lens	All configurations	D
70484	Replacement stainless steel latch kit with hole (10pcs)	All configurations	E
70403	Replacement hardware kit: watertight end caps (2pcs), watertight glands (2pcs), surface mount brackets (2pcs), V-hooks (2pcs) and mounting hardware	All configurations	-
70404	Replacement watertight gland (1pc)	All configurations	-
70405	Replacement watertight end cap (1pc)	All configurations	-
70633	10ft white power cord with 5-wire (1pc)	All configurations	-
70634	10ft black power cord with 5-wire (1pc)	All configurations	-
70635	Aviation cable kit 10ft (2pcs)	All configurations	F
70616	Pivot Mount Brackets kit (2pcs)	All configurations	G
70615	Internal emergency back up LED driver 8W battery 120-347V (1pc)	All configurations	H
70540	Replacement for 30/40/50W driver (1pc)	70482, 70535	I
70541	Replacement for 30/45/60W driver (1pc)	70483, 70536	I
70542 ²	Replacement for 30/40/50W internal module (1pc)	70482, 70535	J
70543 ²	Replacement for 30/45/60W internal module (1pc)	70483, 70536	J

* Order separately.

¹ Accessory requires additional center hole (CH) on top of housing. Fixture maintains wet location status, however NEMA 4X and IP ratings are not applicable with CH. Please see installation instructions for more details.

² Replacement for internal module includes all internal components (gear tray, driver, LED boards and wires).



Surface Mounting and V-Hooks (set of 2)

Watertight end caps (2pcs)

Watertight glands (2pcs)

Hardware Kit

— INCLUDED IN THE BOX —

COMPATIBLE DIMMERS¹

Brand	Model
Leviton	DS710-10Z, DD710-BDZ, IP710-LFZ
Lutron	DVSTV-453P, MAESTRO MS-Z101

Dimming range: 10 %-100 %

¹ This table shows dimmers that have been tested and have demonstrated proper operation under normal conditions. Each installation being unique, various factors such as load, common neutrals or other electrical products on the circuit can, in certain instances, cause variance in system performance. Read and comply to the dimmer installation instructions. Consult dimming system manufacturer for additional support in operation. Some dimmers may require more than one product for stable operation. Stanpro recommends to use dimmers designed to work with LED products. Older dimmers designed for incandescent products may cause erratic operation.

SMART ACCESSORIES* G

Order Code	Type	Compatible With	Figure
69733	Genio Bluetooth® Mesh internal integrated fixture adapter	70482, 70483	A
70222	Genio Bluetooth® Mesh kit internal high frequency sensor (69732) and integrated fixture adapter (69733)	70482, 70483	B

* Order separately.



OCCUPANCY SENSORS

ON-OFF SENSORS

Detection - On at (Detection Area) % during (Hold Time) min. Off

Order Code	Position	Technology	Volts (V)	Maximum Mounting Height (ft)	Detection Area (%)	Hold Time (min)	Stand-by Dim level (%)	Stand-by Period (min)	Daylight Min Level (lux)	Location ¹	Ambient Temperature (°C)	Remote ²
OSI-FO-1601	Internal	High frequency	120-277	20	100	10	N/A	N/A	Disable	Dry and wet	-40° to +40°C	OSI-RC100
OSI-FO-1701	Internal	High frequency	120-347	13	100	10	N/A	N/A	Disable	Dry and wet	-20° to +40°C	N/A
70222	Internal	High frequency	120-347	40	100	See app	See app	See app	See app	Dry and damp	-30°C to +40°C	N/A

BI-LEVEL SENSORS

Detection - On at (Detection Area) % during (Hold Time) min., then (Stand-by Dim level) %

Order Code	Position	Technology	Volts (V)	Maximum Mounting Height (ft)	Detection Area (%)	Hold Time (min)	Stand-by Dim level (%)	Stand-by Period (min)	Daylight Min Level (lux)	Location ¹	Ambient Temperature (°C)	Remote ²
OSE-FB-0402	External	High frequency	120-347	50 max.	100	20	30	N/A	50	Wet	-35° to +40°C	OSI-RC-MH10
OSI-FB-1601	Internal	High frequency	120-277	20	100	10	50	N/A	Disable	Dry and wet	-40° to +40°C	OSI-RC100
OSI-FB-1602	Internal	High frequency	120-277	20	100	10	30	N/A	Disable	Dry and wet	-40° to +40°C	OSI-RC100
OSI-FB-1701	Internal	High frequency	120-347	13	100	10	50	N/A	Disable	Dry and wet	-20° to +40°C	N/A
OSI-FB-1702	Internal	High frequency	120-347	13	100	10	30	N/A	Disable	Dry and wet	-20° to +40°C	N/A
70222	Internal	High frequency	120-347	40	100	See app	See app	See app	See app	Dry and damp	-30°C to +40°C	N/A

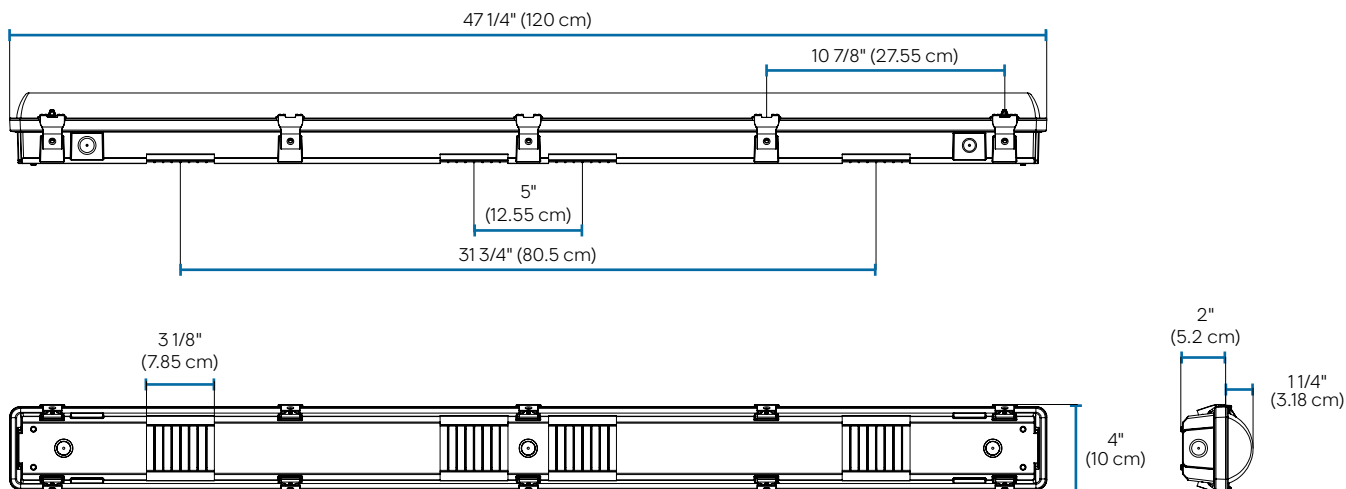
TRI-LEVEL SENSORS

Detection - On at (Detection Area) % during (Hold Time) min., then (Stand-by Dim level) % during (Stand-by period) min. Off

Order Code	Position	Technology	Volts (V)	Maximum Mounting Height (ft)	Detection Area (%)	Hold Time (min)	Stand-by Dim level (%)	Stand-by Period (min)	Daylight Min Level (lux)	Location ¹	Ambient Temperature (°C)	Remote ²
OSE-FT-0402	External	High frequency	120-347	50 max.	100	30	30	10	50	Wet	-35° to +40°C	OSI-RC-MH10
OSI-FT-1601	Internal	High frequency	120-277	20	100	10	30	30	Disable	Dry and wet	-40° to +40°C	OSI-RC100
OSI-FT-1602	Internal	High frequency	120-277	20	100	10	30	30	50	Dry and wet	-40° to +40°C	OSI-RC100
OSI-FT-1701	Internal	High frequency	120-347	13	100	10	30	30	Disable	Dry and wet	-20° to +40°C	N/A
OSI-FT-1702	Internal	High frequency	120-347	13	100	10	30	30	50	Dry and wet	-20° to +40°C	N/A
70222	Internal	High frequency	120-347	40	100	See app	See app	See app	See app	Dry and damp	-30°C to +40°C	N/A

¹ Min and max ambient temperature of the fixture with the specific sensor. Please verify fixture temperature on the first page for compatibility with sensor.
² To be ordered separately.

DIMENSIONS



PRODUCT FEATURES

