

PROJECT:

DISTRIBUTOR:

DRAWN BY:

CATALOGUE #:

CONTRACTOR:

DATE:

TYPE:

PO:



SWNX
HAZARDOUS
LOCATION REMOTE

STANPRO

SPEC SHEET

FEATURES AND SPECIFICATIONS

ELECTRICAL AND CIRCUITRY

- 6 VDC, 12 VDC or 24 VDC
- LED lamps - bi-pin based

MECHANICAL

- Polycarbonate enclosure is fully gasketed around lens and canopy to prevent water infiltration
- Stainless steel tamper proof screws and bits
- Wet location
- Lamps are fully adjustable
- Fully gasketed housing
- Available in white and black
- Universal spider knockout pattern stamped into backplate for junction box mounting
- Temperature code: T4A
- For surface or suspended conduit mount use accessory JB032

AMBIENT TEMPERATURE

- -35°C to +40°C

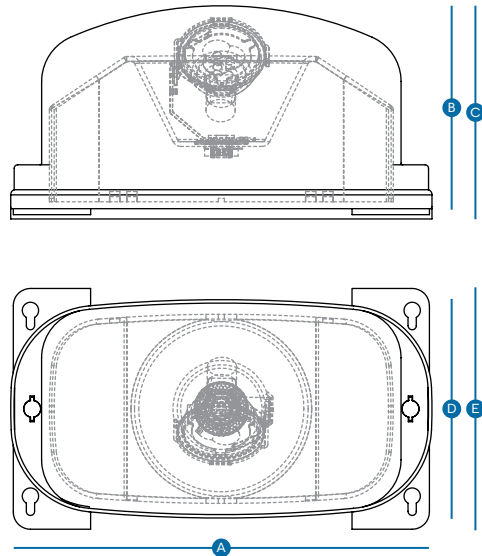
APPROVALS

- CSA Certified to C22.2 #141-15
- CSA Certified to C22.2 #137
- CSA Certified type 2, 3, 3R, 4, 4X, 5, 12 or 12K
- CSA Certified to NSF 2
- IP66
- IK10
- Class I, div 2, groups A, B, C, D
- Class II, div 2, groups F, G
- Class III, div 2
- According to provisions of the CEC the product may also be suitable for use in Zone 2, Groups IIA, IIB, IIC and/or Zone 22, Groups IIIA, IIIB

COMPLIANCE

- Meets requirements of ICES-005

TECHNICAL DRAWINGS



Type	A	B	C	D	E
Single Head	9 5/8" (24.50 cm)	4 5/8" (11.80 cm)	4 7/8" (12.40 cm)	5" (12.70 cm)	5 1/2" (14 cm)
Double Heads	9 5/8" (24.50 cm)	4 5/8" (11.80 cm)	4 7/8" (12.40 cm)	5" (12.70 cm)	5 1/2" (14 cm)

* Please refer to the product web page to view detailed drawings by size.



ICES
005



SANITATION
NSF/ANSI 2

TYPICAL SPECIFICATION

Remote head shall be completely protected from the elements within a fully gasketed polycarbonate housing, be fully adjustable both tilt and swivel and have a universal spider knockout pattern stamped into back plate for junction box mounting. The SWNX shall be () V, () W, () lumens. The MR16 LED's lamps shall be fully integrated in the molded shell to ensure extended life and maximum performance. The remote fixtures shall be HAZARDOUS LOCATION Class I, div 2, groups A, B, C, D Class II, div 2, groups F, G Class III, div 2, certified to CSA 22.2 No.141-15, CSA Certified type 2, 3, 3R, 4, 4X, 5, 12, CSA Certified to NSF 2, IP66, IK10 and be ICES005 compliant. The remote unit shall be Stanpro model: SWNX _____

ORDERING GUIDE - LED

Dropdown selections may not display correctly in web browsers. For full functionality, please download the file to use all features.

SWNX Series	Number of Heads	Volts (VDC operational)	Watts (W)	Lamp Type	Color
SWNX	1 Single head	06-24V 6 to 24	4W	LR	BK Black WH White
			5W	LA	
	2 Double head	12-24V 12 to 24	6W	LA	
			7W		

ACCESSORIES*

Model Number	Type
JB032	Junction box round waterproof with 5 x 1/2 inch hubs aluminum

* Order separately.

LEXAN GUARD

Mounting Type	Model Number	Dimensions (in)
Wall Mount	PGD104	14 x 7.25 x 7.5

LUMEN TABLE

Watts	Lumens
4W LR	388
5W LA	435
6W LA	507
7W LA	652

SPACING GUIDE

Mounting Height	Spacing Center to Center (ft)			
	4WLR	5WLA	6WLA	7WLA
8 ft	76	81	94	108
10 ft	79	79	93	106
15 ft	66	62	82	96
20 ft	53	49	73	87