

PROJECT:

DISTRIBUTOR:

DRAWN BY:

CATALOGUE #:

CONTRACTOR:

DATE:

TYPE:

PO:



STANPRO

SPEC SHEET

FEATURES AND SPECIFICATIONS

ELECTRICAL – AC/DC

- LED ultra bright light source
- 120/277/347 VAC 60 Hz Input, field selectable
- 2 W power consumption single or double face
- 6 V, 12 V and 24 V universal DC
- **6 VDC** = 0.8 W, **12 VDC** = 0.9 W, **24 VDC** = 1.2 W

ELECTRICAL – SELF-POWERED

- LED ultra bright light source
- 120/277/347 VAC Input, field selectable
- 3.34 W power consumption single or double face
- High-performance, sealed Ni-Cad battery
- 90 minutes emergency duration (standard) 120 minutes emergency duration is optional
- Solid state transfer and battery charger
- Auto test feature comes standard

MECHANICAL

- Reinforced polycarbonate construction
- Stainless steel tamper proof screws and bits
- One piece, molded and gasketed lens
- Universal spider knockout pattern stamped into backplate for junction box mounting (backplate available with single face unit only)
- Universal models include ceiling or end mount, field installable canopy
- UDC Sign: -35°C to +40°C
- Self-Powered Sign: +10°C to +40°C with Cold Weather option added: -20°C to +40 °C (available only with IB)
- Temperature code: T4A

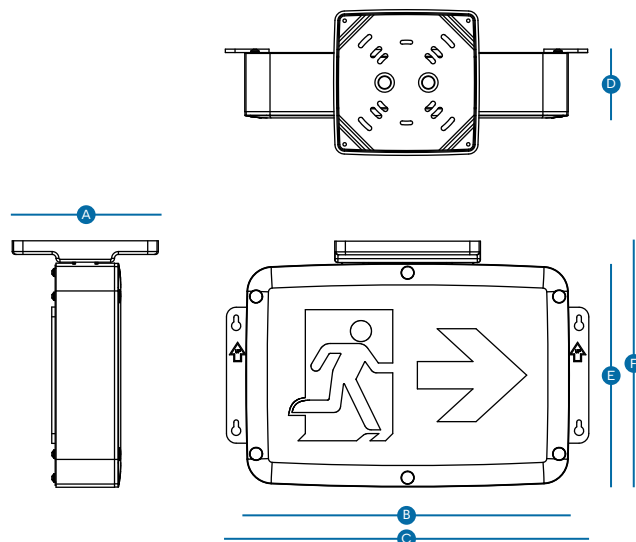
APPROVALS

- CSA Certified to C22.2 #141-15
- CSA Certified to C22.2 #137
- CSA Certified to C860-11
- CSA Certified type 2, 3, 3R, 4, 4X, 5, 12 or 12K
- CSA Certified to NSF 2
- IP66
- IK10
- Class I, div 2, groups A, B, C, D
- Class II, div 2, groups F, G
- Class III, div 2
- According to provisions of the CEC the product may also be suitable for use in Zone 2, Groups IIA, IIB, IIC and/or Zone 22, Groups IIIA, IIIB

COMPLIANCE

- Meets requirements of ICES-005

TECHNICAL DRAWINGS



A	B	C	D	E	F
5 7/8" (15 cm)	13 1/8" (33.30 cm)	14 3/4" (37.30 cm)	2 3/4" (7.08 cm)	9" (23 cm)	10" (25.30 cm)

* Please refer to the product web page to view detailed drawings by size.



ICES
005



Energy Verified
Énergie Vérifiée



SANITATION
NSF/ANSI 2

TYPICAL SPECIFICATION

Supply and install Stanpro RMRNX Series. The RMRNX shall be of a reinforced polycarbonate construction, stainless steel tamper proof screws and bits, one piece, molded and gasketed lens, universal spider knockout pattern stamped into back plate for junction box mounting. Universal models include ceiling or end mount, field installable canopy kit. The sign shall operate with AC/DC field selectable 120/277/347 V AC Input, field selectable Emergency DC voltage as follows 6 V 0.9 W, 12 V 0.9 W, 24 V DC 0.9 W. The Self powered configuration shall be AC field selectable 120/277/347v and consist of a long lasting Nickel-Cadmium battery and shall stay illuminated for a minimum of 120 minutes upon AC failure. The self-powered sign comes standard for +10°C to +40°C environments or with a cold weather option for -20°C to +40°C. The face shall be illuminated by using Nichia LED ultra-bright light source. The sign shall come complete with 3 Running Man fibers for universal direction. The Exit Running Man Sign shall be HAZARDOUS LOCATION RUNNING MAN Class I, div 2, groups A, B, C, D Class II, div 2, groups F, G Class III, div 2, CSA 22.2 No.141-15 certified, CSA Certified type 2, 3, 3R, 4, 4X, 5, 12 or 12K, CSA Certified to NSF 2, IP66, IK10 and ICES 005 compliant and be Stanpro model number RMRNX _____.

ORDERING GUIDE

RMRNX		Blank			
Series	Number of Faces	Mounting	Color	DC Volts (VDC)	Options
RMRNX	1 Single face 2 Double head	Blank Universal	BK Black WH White	UDC Universal DC backup voltage from 6 to 24 IB Self-powered for 90 minutes IB1 Self-powered for 120 minutes	AT ¹ Auto test standard CW ² Cold Weather at -20°C to +40°C 0 No indicators (double face only) ↓ ↑ ↗ ↘ ↙ ↘ D U UR DR DL UL

¹Available only with IB & IB1. Mandatory with IB & IB.
²Available only with IB.

LEXAN GUARD

Mounting Type	Model Number	Dimensions (in)
Wall Mount	PGD105	20 x 10.25 x 3.5
Ceiling Mount	PGD100	16 x 10 x 13.5

CONFIGURATIONS



Comes standard with three pictogram legends for direction selection.



For double face no arrow options, select "No indicators" on the options column.



Comes standard (double face) with two pictogram legends.