

PROJECT:

DISTRIBUTOR:

DRAWN BY:

CATALOGUE #:

CONTRACTOR:

DATE:

TYPE:

PO:



STANPRO

SPEC SHEET

5 CCT AND 3 POWER SELECTABLE
VARIETY OF MOUNTING KITS

FEATURES AND SPECIFICATIONS

CONSTRUCTION

Physical Characteristics

- Powder coated die-cast aluminum housing
- Available finishes: white, black
- Available size: 4"
- CCT and power selectable switches are placed discreetly inside the cylinder module
- Sealed clear glass lens

Optics

- Standard beam angle is 40°
- Beam angles can be easily interchanged using the additional reflectors of 15°, 24° and 65° that are included in the box

Mounting

- Surface mounted (surface mount bracket is included with each cylinder module)
- Other mounting possibilities using compatible mounting kits: suspended and track suspended (sold separately)
- For track mounting kits:
 - Compatible with Stanpro [STJ Tracks](#)
 - Compatible with Stanpro [track accessories](#)
 - J-style adaptor

PERFORMANCE DATA

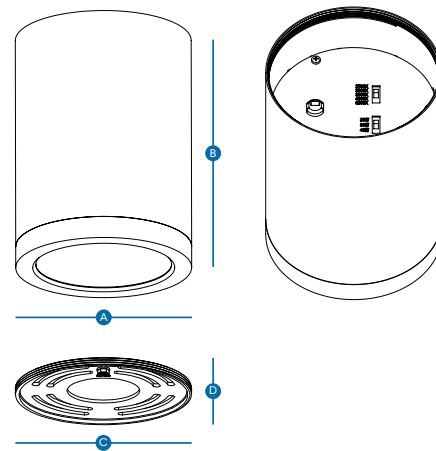
- Available in 2 700/3 000/3 500/4 000/5 000 K selectable color temperature
- 90+ CRI for true color accuracy
- Electrical ratings: 120-277 V
- Lumen output: 1861-3 776 lm
- Dual dimming, 0-10 V dimming and phase cut (ELV / Triac) dimming
 - Track mounting is phase cut (ELV/TRIAC) dimming at 120 V and is non-dimming at 120-277 V
- Operating temperature: -30 °C to 45 °C (-22 °F to 113 °F)

COMPLIANCES

- cETLus listed for Canada and USA¹
- Meets requirements of ICES-005 issue 5

¹ Environment suitability of product depends on the selected mounting kit, please refer to mounting kit table for more details

TECHNICAL DRAWINGS



Type	A	B	C	D	Net Weight (lbs)
CYLINDER MODULE (SURFACE BRACKET INCLUDED)	4 1/2" (11.40 cm)	6 1/8" (15.65 cm)	4 3/8" (11.20 cm)	1/4" (0.50 cm)	2.46

* Please refer to the product web page to view detailed drawings by size.

RELATED PRODUCTS

- PYXIE 2"
- PYXIE 2" - WALL



5 CCT



POWER
SELECTABLE



5 YEARS
WARRANTY



Intertek

QUICK SHIP AND TECHNICAL SPECIFICATION TABLE

CYLINDER MODULE¹

Type	Order Code	Model Number	Lumen Output (lm) ^{2,3}	Efficacy (lm/W)	Watts (W)	Life L70 (hrs)	Tested Hours LM-80 (hrs) ⁴	Beam Angle (°)	Finish	Power Factor	Master Case QTY	UPC
4"												
	70703	CYLPY4-MOD-PS40-W-5CWH	2 010/2 648/3 215	101/88/80	20/30/40	108 000	18 000	40 (15/24/65)	White	≥0.90	12	069549036765
	70704	CYLPY4-MOD-PS40-W-5CBK	2 010/2 648/3 215	101/88/80	20/30/40	108 000	18 000	40 (15/24/65)	Black	≥0.90	12	069549036772

¹ Surface mount bracket is included with the cylinder module, for other mounting options please refer to the mounting kits table.

² Lumen values are derived from photometric testing. Initial lumens range: +/- 10%.

³ Lumen values are based on 3 000 K at 40° default programming. Please refer to the LUMEN SPECIFICATION TABLE for more details on other color temperatures.

⁴ Life hours are derived from IESNA LM-80 testing report and projected per IESNA TM-21 extrapolations.

LUMEN SPECIFICATION TABLE

Order Code	Model Number	Watts (W)	Beam Angle (°)	2 700 K		3 000 K		3 500 K		4 000 K		5 000 K		Default Programming	
				Lumen Output (lm)	Efficacy (lm/W)	Lumen Output (lm)	Efficacy (lm/W)	Lumen Output (lm)	Efficacy (lm/W)	Lumen Output (lm)	Efficacy (lm/W)	Lumen Output (lm)	Efficacy (lm/W)		
70703	CYLPY4-MOD-PS40-W-5CWH	20	15	1987	99	2 071	104	2 158	108	2 211	111	2 261	113	40 W / 3 000 K	
			24	1939	97	2 037	102	2 158	108	2 215	111	2 265	113		
			40	1936	97	2 010	101	2 119	106	2 171	109	2 222	111		
			65	1861	93	1 960	98	2 081	104	2 138	107	2 203	110		
		30	15	2 467	82	2 625	88	2 842	95	2 973	99	3 032	101		
			24	2 610	87	2 841	95	2 975	99	3 022	101	3 030	101		
			40	2 500	83	2 648	88	2 827	94	2 902	97	2 949	98		
			65	2 617	87	2 724	91	2 887	96	2 949	98	2 964	99		
		40	15	3 148	79	3 255	81	3 584	90	3 620	91	3 577	89		
			24	3 166	79	3 379	84	3 629	91	3 720	93	3 720	93		
			40	3 037	76	3 215	80	3 448	86	3 694	92	3 536	88		
			65	3 122	78	3 331	83	3 584	90	3 705	93	3 776	94		
70704	CYLPY4-MOD-PS40-W-5CBK	20	15	1987	99	2 071	104	2 158	108	2 211	111	2 261	113	40 W / 3 000 K	
			24	1939	97	2 037	102	2 158	108	2 215	111	2 265	113		
			40	1936	97	2 010	101	2 119	106	2 171	109	2 222	111		
			65	1861	93	1 960	98	2 081	104	2 138	107	2 203	110		
		30	15	2 467	82	2 625	88	2 842	95	2 973	99	3 032	101		
			24	2 610	87	2 841	95	2 975	99	3 022	101	3 030	101		
			40	2 500	83	2 648	88	2 827	94	2 902	97	2 949	98		
			65	2 617	87	2 724	91	2 887	96	2 949	98	2 964	99		
		40	15	3 148	79	3 255	81	3 584	90	3 620	91	3 577	89		
			24	3 166	79	3 379	84	3 629	91	3 720	93	3 720	93		
			40	3 037	76	3 215	80	3 448	86	3 694	92	3 536	88		
			65	3 122	78	3 331	83	3 584	90	3 705	93	3 776	94		

MOUNTING KITS*

Order Code	Model Number	Type	Finish	Environment	Compatible With	Master Case Qty	UPC	Figure
70705	CYLPY4-ACC-SUSPENSION-KIT-WH	Suspended with 8' cable (adjustable)	White	Damp	70703	24	069549036789	A
70706	CYLPY4-ACC-SUSPENSION-KIT-BK	Suspended with 8' cable (adjustable)	Black	Damp	70704	24	069549036796	A
70707	CYLPY4-ACC-TRACK-SUSP-KIT-WH	J-type suspended track with 8' cable (adjustable)	White	Dry	70703	24	069549036802	B
70708	CYLPY4-ACC-TRACK-SUSP-KIT-BK	J-type suspended track with 8' cable (adjustable)	Black	Dry	70704	24	069549036819	B

* Order separately.



ACCESSORIES*

Order code	Type	Finish	Compatible With	Master Case Qty	Figure
70709	Straight snoot	White	70703	24	A
70710	Straight snoot	Black	70704	24	A
70711	Honeycomb louver	Black	70703, 70704	96	B

* Order separately.
Note: Accessories are optional, to complement installation.



Interchangeable Beams

40° (Standard) 15° (Option) 24° (Option) 65° (Option)

Surface Mount Bracket (Wet Location)

— INCLUDED IN THE CYLINDER MODULE BOX —

EASY FIELD-INTERCHANGEABLE OPTICS

Enjoy the flexibility that PYXIE offers with four different beam angle optics included in the box. This easy field interchangeability lets you quickly adapt the cylinder to different layout needs. Featuring a tool-less design, simply unscrew the front trim and fixing ring, and switch to the right beam angle for the application.



COMPATIBLE DIMMERS¹

PHASE-CUT (TRIAC/ELV)

Brand	Model
Legrand	RH730PTUTC ²
Cooper	DAL06P ³ , AAL06 ⁴ , SAL06P3 ³
Leviton	IPL06 ⁴ , 6674 ⁴ , DSL06-1LZ ⁴ , DDMX1 ⁴
Lutron	HCL453P ⁴ , PD-6WCL ⁴ , DVCL-153P ² , CTCL-153P ² , DVCL-253P ² , AYCL-253P ² , DVCLV-300P ³ , SELV-300P ³ , MACL-153P ⁴

0-10V

Brand	Model
Lutron	NOVA NTSTV DV ²
Leviton	DD 710 ⁴ , DS 710 ³
Legrand	WS4FBL3P ²

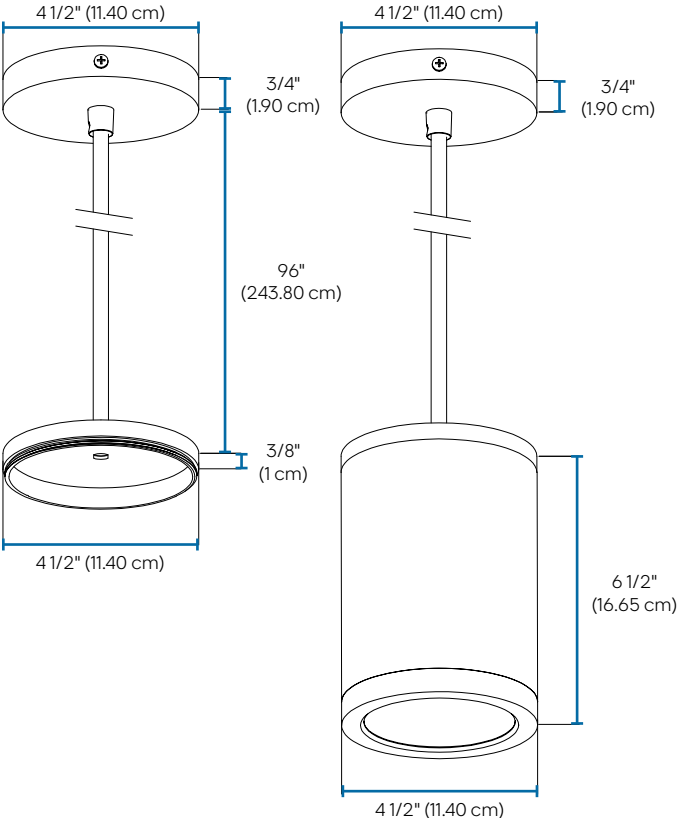
Dimming range: ² 5 %-100 %
³ 10 %-100 %
⁴ 15 %-100 %

¹This table shows dimmers that have been tested and have demonstrated proper operation under normal conditions. Each installation being unique, various factors such as load, common neutrals or other electrical products on the circuit can, in certain instances, cause variance in system performance. Read and comply to the dimmer installation instructions. Consult dimming system manufacturer for additional support in operation. Some dimmers may require more than one product for stable operation. Stanpro recommends to use dimmers designed to work with LED products. Older dimmers designed for incandescent products may cause erratic operation.

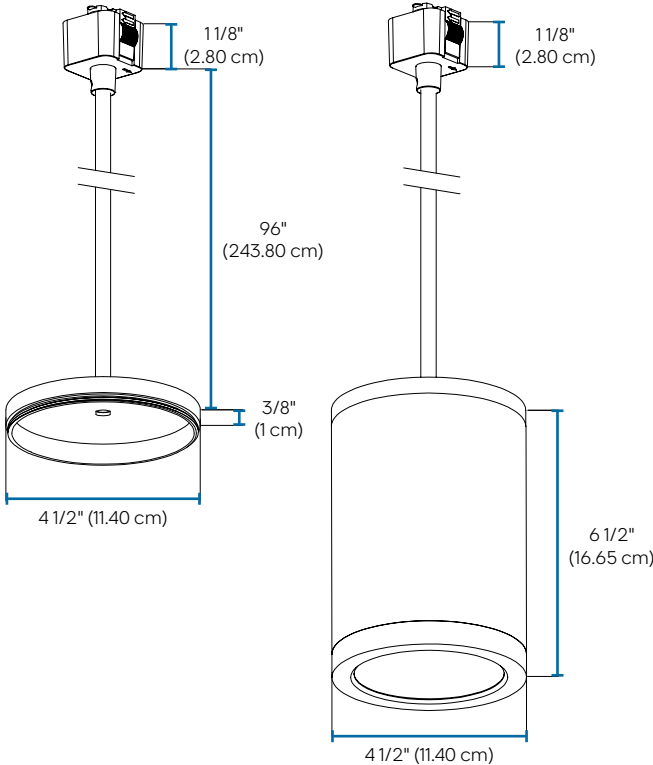
DIMENSIONS AND WEIGHTS

MOUNTINGKITS

SUSPENDED

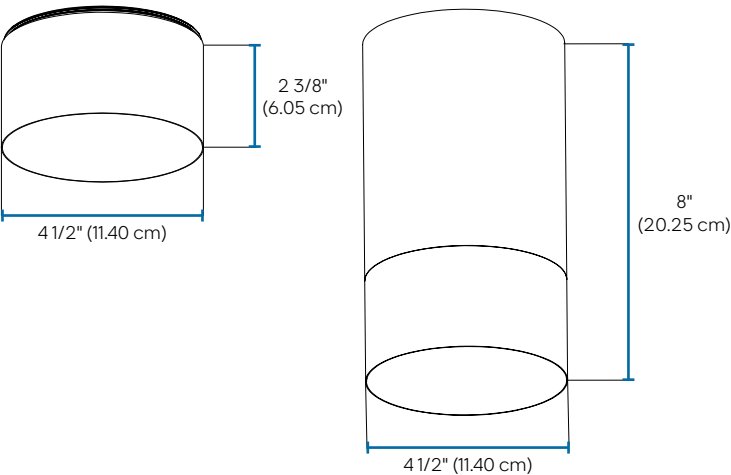


TRACK SUSPENDED

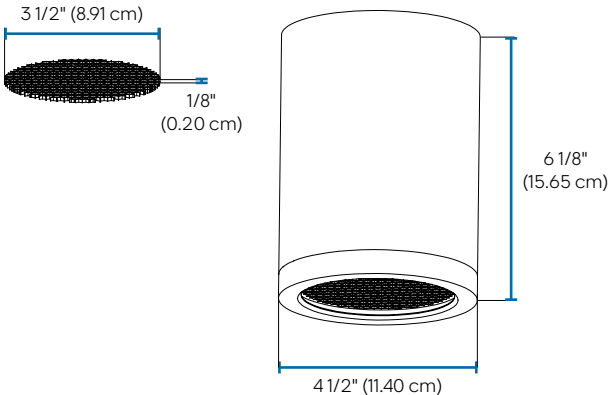


ACCESSORIES

STRAIGHT SNOOT



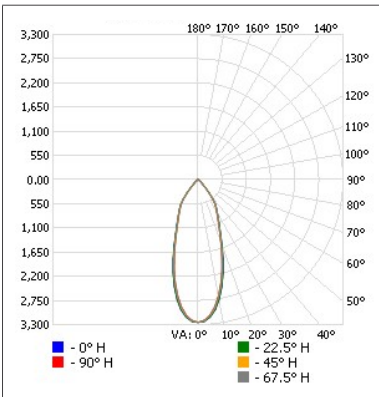
HONEYCOMB LOUVER



PHOTOMETRIC DATA¹

70703 - 70704 • CYLPY4-MOD-PS40-W-5CXX • 20W • 3 000 K • 40° • 2 009.5 lm

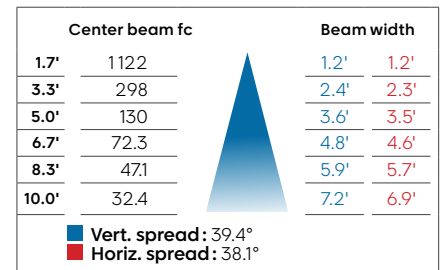
Polar candela distribution



Zonal lumen summary

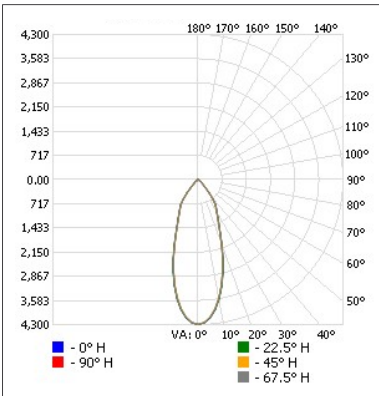
Zone	Lumens	% Fixture
0-30	1 395.7	69.5
0-40	1 800.7	89.6
0-60	1 985.2	98.8
60-90	24.3	1.2
70-100	10.4	0.5
90-120	0	0
0-90	2 009.5	100
90-180	0	0
0-180	2 009.5	100

Illuminance at a distance



70703 - 70704 • CYLPY4-MOD-PS40-W-5CXX • 30W • 3 000 K • 40° • 2 647.7 lm

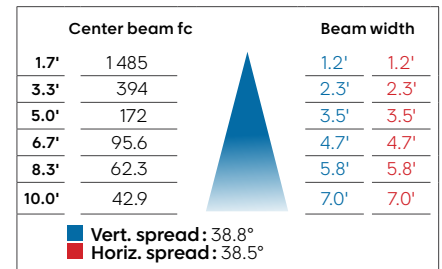
Polar candela distribution



Zonal lumen summary

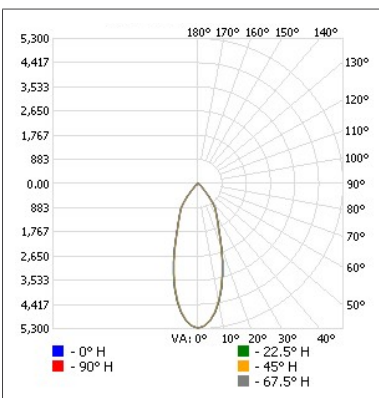
Zone	Lumens	% Fixture
0-30	1 825.5	68.9
0-40	2 350.2	88.8
0-60	2 609.9	98.6
60-90	37.8	1.4
0-90	2 647.7	100

Illuminance at a distance



70703 - 70704 • CYLPY4-MOD-PS40-W-5CXX • 40W • 3 000 K • 40° • 3 214.9 lm

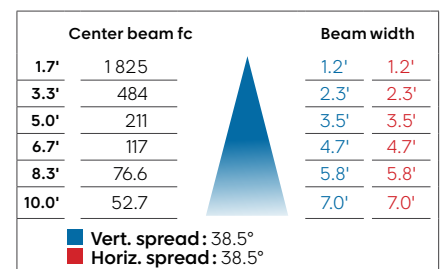
Polar candela distribution



Zonal lumen summary

Zone	Lumens	% Fixture
0-30	2 224.0	69.2
0-40	2 859.7	89
0-60	3 169.4	98.6
60-90	45.5	1.4
0-90	3 214.9	100

Illuminance at a distance

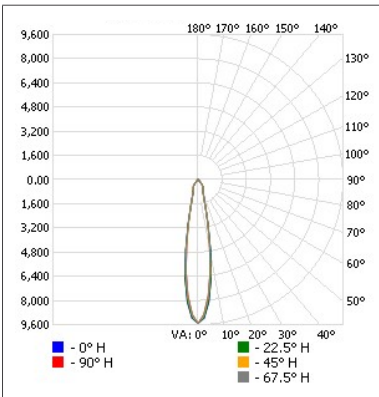


¹ Complete IES files available on our website.

PHOTOMETRIC DATA¹

70703 - 70704 • CYLPY4-MOD-PS40-W-5CX • 20W • 3 000 K • 15° • 2 071.4 lm

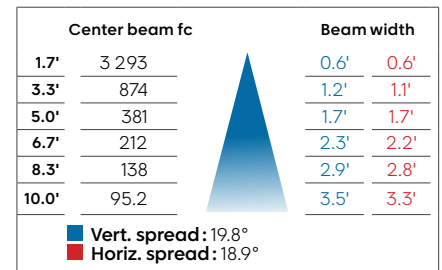
Polar candela distribution



Zonal lumen summary

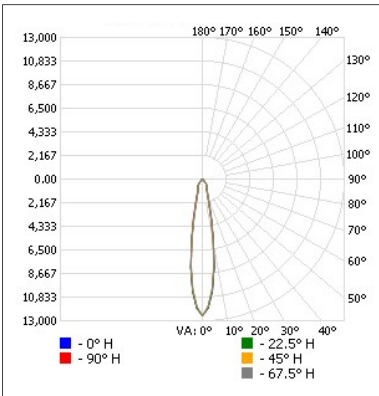
Zone	Lumens	% Fixture
0-30	1 577.1	76.1
0-40	1 893.1	91.4
0-60	2 051.7	99.1
60-90	19.7	0.9
70-100	9.1	0.4
90-120	0	0
0-90	2 071.4	100
90-180	0	0
0-180	2 071.4	100

Illuminance at a distance



70703 - 70704 • CYLPY4-MOD-PS40-W-5CX • 30W • 3 000 K • 15° • 2 625.2 lm

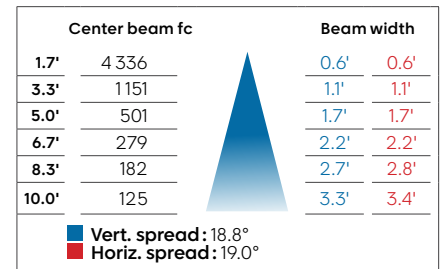
Polar candela distribution



Zonal lumen summary

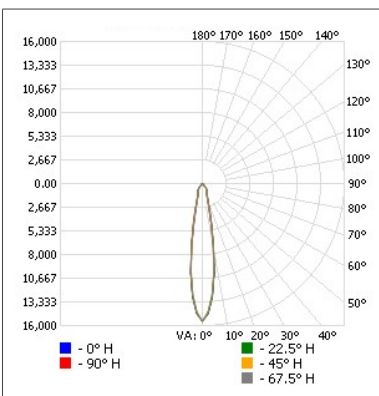
Zone	Lumens	% Fixture
0-30	1 996.9	76.1
0-40	2 399.4	91.4
0-60	2 599.0	99
60-90	26.3	1
70-100	12.0	0.5
90-120	0	0
0-90	2 625.2	100
90-180	0	0
0-180	2 625.2	100

Illuminance at a distance



70703 - 70704 • CYLPY4-MOD-PS40-W-5CX • 40W • 3 000 K • 15° • 3 254.6 lm

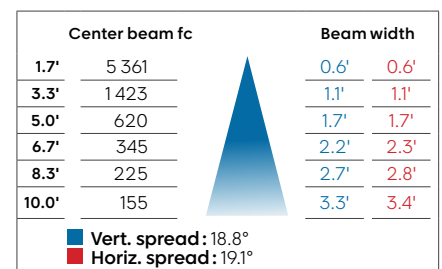
Polar candela distribution



Zonal lumen summary

Zone	Lumens	% Fixture
0-30	2 476.4	76.1
0-40	2 975.2	91.4
0-60	3 221.9	99
60-90	32.6	1
0-90	3 254.6	100

Illuminance at a distance

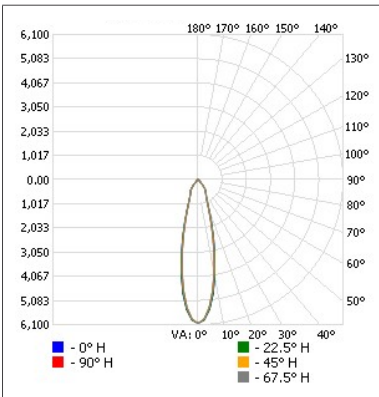


¹ Complete IES files available on our website.

PHOTOMETRIC DATA¹

70703 - 70704 • CYLPY4-MOD-PS40-W-5CXX • 20W • 3 000 K • 24° • 2 037.3 lm

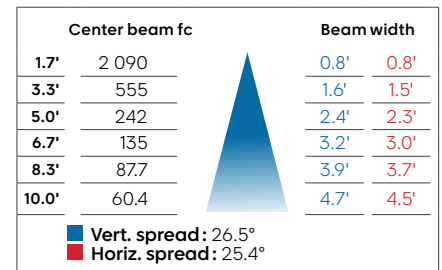
Polar candela distribution



Zonal lumen summary

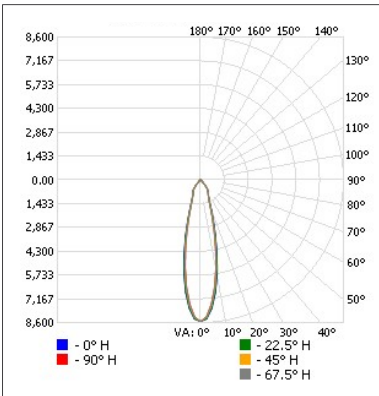
Zone	Lumens	% Fixture
0-30	1 537.0	75.4
0-40	1 859.9	91.3
0-60	2 016.0	99
60-90	21.3	1
70-100	9.0	0.4
90-120	0	0
0-90	2 037.3	100
90-180	0	0
0-180	2 037.3	100

Illuminance at a distance



70703 - 70704 • CYLPY4-MOD-PS40-W-5CXX • 30W • 3 000 K • 24° • 2 841.1 lm

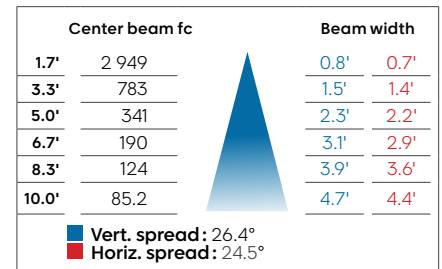
Polar candela distribution



Zonal lumen summary

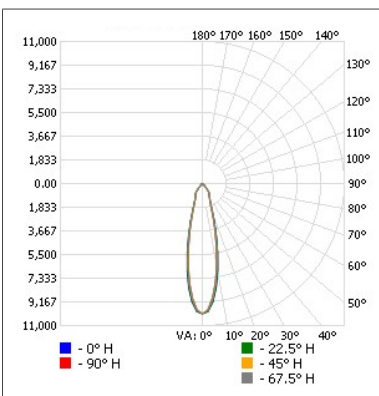
Zone	Lumens	% Fixture
0-30	2 115.2	74.5
0-40	2 577.7	90.7
0-60	2 809.1	98.9
60-90	32.0	1.1
70-100	14.1	0.5
90-120	0	0
0-90	2 841.1	100
90-180	0	0
0-180	2 841.1	100

Illuminance at a distance



70703 - 70704 • CYLPY4-MOD-PS40-W-5CXX • 40W • 3 000 K • 24° • 3 378.5 lm

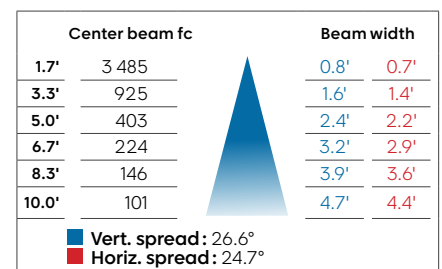
Polar candela distribution



Zonal lumen summary

Zone	Lumens	% Fixture
0-30	2 516.1	74.5
0-40	3 066.0	90.7
0-60	3 340.3	98.9
60-90	38.3	1.1
0-90	3 378.5	100

Illuminance at a distance

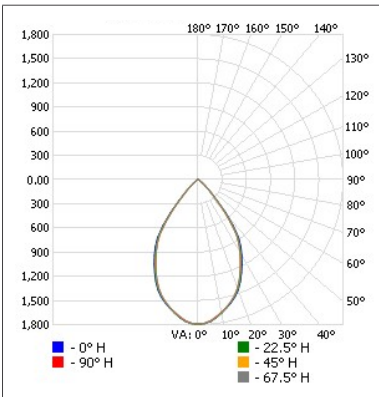


¹ Complete IES files available on our website.

PHOTOMETRIC DATA¹

70703 - 70704 • CYLPY4-MOD-PS40-W-5CXX • 20W • 3 000 K • 65° • 1 960 lm

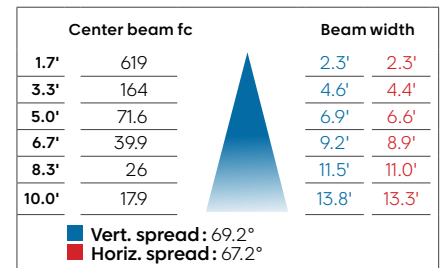
Polar candela distribution



Zonal lumen summary

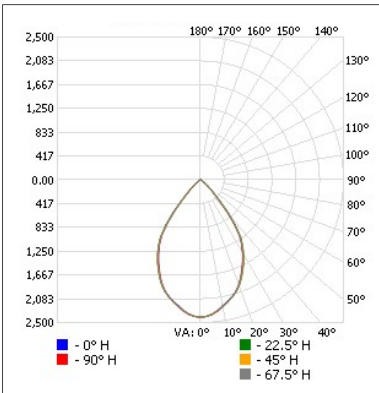
Zone	Lumens	% Fixture
0-30	1 178.5	60.1
0-40	1 682.4	85.8
0-60	1 930.1	98.5
60-90	299	1.5
70-100	11.4	0.6
90-120	0	0
0-90	1 960.0	100
90-180	0	0
0-180	1 960.0	100

Illuminance at a distance



70703 - 70704 • CYLPY4-MOD-PS40-W-5CXX • 30W • 3 000 K • 65° • 2 723.8 lm

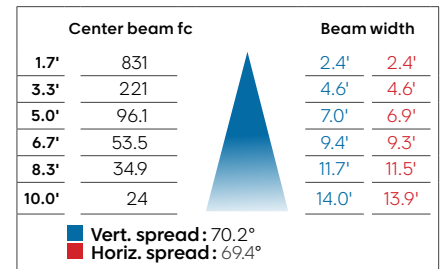
Polar candela distribution



Zonal lumen summary

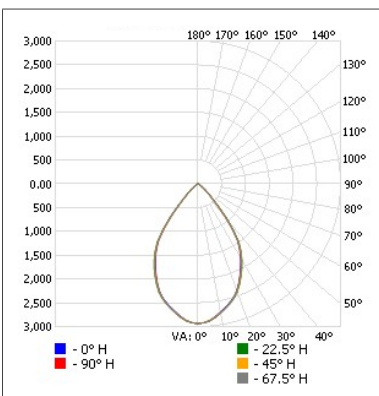
Zone	Lumens	% Fixture
0-30	1 612.4	59.2
0-40	2 330.1	85.5
0-60	2 683.1	98.5
60-90	40.7	1.5
0-90	2 723.8	100

Illuminance at a distance



70703 - 70704 • CYLPY4-MOD-PS40-W-5CXX • 40W • 3 000 K • 65° • 3 330.8 lm

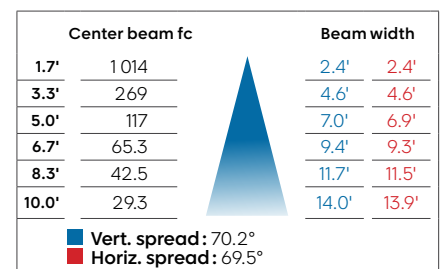
Polar candela distribution



Zonal lumen summary

Zone	Lumens	% Fixture
0-30	1 969.8	59.1
0-40	2 847.5	85.5
0-60	3 280.7	98.5
60-90	50.1	1.5
0-90	3 330.8	100

Illuminance at a distance



¹ Complete IES files available on our website.