

PROJECT:

DISTRIBUTOR:

DRAWN BY:

CATALOGUE #:

CONTRACTOR:

DATE:

TYPE:

PO:



STANPRO

SPEC SHEET

5 CCT SELECTABLE
VARIETY OF MOUNTING KITS

FEATURES AND SPECIFICATIONS

CONSTRUCTION

Physical Characteristics

- Powder coated die-cast aluminum housing
- Available finishes: white, black
- Available size: 2"
- CCT switch is placed discreetly inside the cylinder module
- Sealed clear glass lens

Optics

- Standard beam angle is 40°
- Beam angles can be easily interchanged using the additional reflectors of 15° and 24° that are included in the box

Mounting

- Cylinder module to be used with the different compatible mounting kits (sold separately)
- Available mounting kit options: surface, monopoint, suspended, recessed, track and suspended track
- For track mounting kits:
 - Compatible with Stanpro [STJ Tracks](#)
 - Compatible with Stanpro [track accessories](#)
 - J-style adaptor

PERFORMANCE DATA

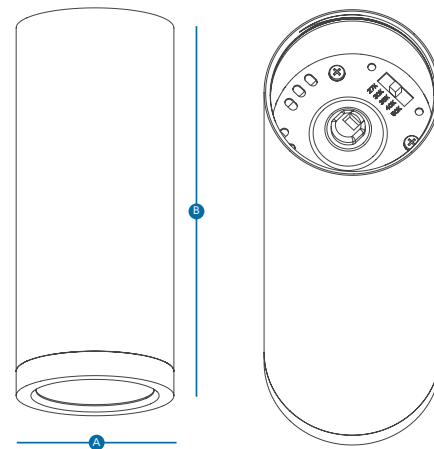
- Available in 2 700/3 000/3 500/4 000/5 000 K selectable color temperature
- 90+ CRI for true color accuracy
- Electrical ratings: 120 V
- Lumen output: 942-1 213 lm
- Phase cut (ELV / Triac) dimming standard
- Operating temperature: -30 °C to 45 °C (-22 °F to 113 °F)

COMPLIANCES

- cETLus listed for Canada and USA¹
- Meets requirements of ICES-005 issue 5

¹Environment suitability of product depends on the selected mounting kit, please refer to mounting kit table for more details

TECHNICAL DRAWINGS



Type	A	B	Net Weight (lbs)
CYLINDER MODULE	2 1/2" (6.20 cm)	6" (15.10 cm)	0.77

* Please refer to the product web page to view detailed drawings by size.

RELATED PRODUCT

- PYXIE 4"



QUICK SHIP AND TECHNICAL SPECIFICATION TABLE

CYLINDER MODULE¹

Type	Order Code	Model Number	Lumen Output (lm) ^{2,3}	Efficacy (lm/W)	Watts (W)	Life L70 (hrs)	Tested Hours LM-80 (hrs) ⁴	Beam Angle (°)	Finish	Power Factor	Master Case QTY	UPC
2"												
	69866	CYLPY2-MOD-15W-A-5CWH	1067	71	15	108 000	18 000	40 (15/24)	White	≥0.90	12	069549030893
	69867	CYLPY2-MOD-15W-A-5CBK	1067	71	15	108 000	18 000	40 (15/24)	Black	≥0.90	12	069549030909

¹ Mounting kit is required to complete the installation of PYXIE cylinders.

² Lumen values are derived from photometric testing. Initial lumens range: +/- 10 %.

³ Lumen values are based on 3 000 K at 40° default programming. Please refer to the LUMEN SPECIFICATION TABLE for more details on other color temperatures.

⁴ Life hours are derived from IESNA LM-80 testing report and projected per IESNA TM-21 extrapolations.

LUMEN SPECIFICATION TABLE

Order Code	Model Number	Beam Angle (°)	2 700 K		3 000 K		3 500 K		4 000 K		5 000 K		Default Programming
			Lumen Output (lm)	Efficacy (lm/W)	Lumen Output (lm)	Efficacy (lm/W)	Lumen Output (lm)	Efficacy (lm/W)	Lumen Output (lm)	Efficacy (lm/W)	Lumen Output (lm)	Efficacy (lm/W)	
69866	CYLPY2-MOD-15W-A-5CWH	15	942	63	1036	69	1015	68	1188	79	1161	77	3 000 K
		24	1099	73	1073	72	1151	77	1183	79	1213	81	
		40	1070	71	1067	71	1136	76	1188	79	1150	77	
69867	CYLPY2-MOD-15W-A-5CBK	15	942	63	1036	69	1015	68	1188	79	1161	77	3 000 K
		24	1099	73	1073	72	1151	77	1183	79	1213	81	
		40	1070	71	1067	71	1136	76	1188	79	1150	77	

MOUNTING KITS¹

Order Code	Model Number	Type	Finish	Environment	Compatible With	Master Case QTY	UPC	Figure
69872	CYLPY2-ACC-SURFACE-KIT-WH	Surface	White	Wet	69866	24	069549030954	A
69873	CYLPY2-ACC-SURFACE-KIT-BK	Surface	Black	Wet	69867	24	069549030961	A
69874	CYLPY2-ACC-MONOPOINT-KIT-WH	Monopoint	White	Damp	69866	24	069549030978	B
69875	CYLPY2-ACC-MONOPOINT-KIT-BK	Monopoint	Black	Damp	69867	24	069549030985	B
69876	CYLPY2-ACC-SUSPENSION-KIT-WH	Suspended with 8' cable (adjustable)	White	Damp	69866	24	069549030992	C
69877	CYLPY2-ACC-SUSPENSION-KIT-BK	Suspended with 8' cable (adjustable)	Black	Damp	69867	24	069549031005	C
69878	CYLPY2-ACC-RECESSED-KIT-WH	Recessed	White	Wet	69866	24	069549031012	D
69879	CYLPY2-ACC-RECESSED-KIT-BK	Recessed	Black	Wet	69867	24	069549031029	D
69880	CYLPY2-ACC-TRACK-KIT-WH	J-type track	White	Dry	69866	24	069549031036	E
69881	CYLPY2-ACC-TRACK-KIT-BK	J-type track	Black	Dry	69867	24	069549031043	E
69882	CYLPY2-ACC-TRACK-SUSP-KIT-WH	J-type suspended track with 8' cable (adjustable)	White	Dry	69866	24	069549031050	F
69883	CYLPY2-ACC-TRACK-SUSP-KIT-BK	J-type suspended track with 8' cable (adjustable)	Black	Dry	69867	24	069549031067	F

* Order separately.

¹ Mounting kit is required to complete the installation of PYXIE cylinders.




ACCESSORIES¹

Order Code	Type	Finish	Compatible With	Master Case QTY	Figure
69884	Straight snoot	White	69866	24	A
69885	Straight snoot	Black	69867	24	A
69886	Wall wash snoot	White	69866	24	B
69887	Wall wash snoot	Black	69867	24	B
70712	Honeycomb louver	Black	69866, 69867	96	C


¹ Order separately.

² Decorative accessories are optional, to complement installation.


Interchangeable Beams



40° (Standard)

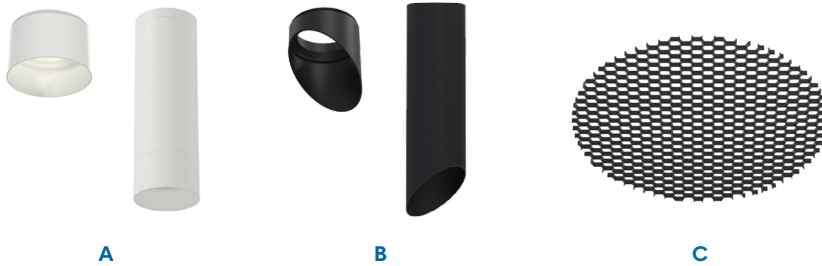


15° (Option)



24° (Option)

INCLUDED IN THE
CYLINDER MODULE BOX



EASY FIELD-INTERCHANGEABLE OPTICS

Enjoy the flexibility that PYXIE offers with three different beam angle optics included in the box. This easy field interchangeability lets you quickly adapt the cylinder to different layout needs. Featuring a tool-less design, simply unscrew the front trim and fixing ring, and switch to the right beam angle for the application.



COMPATIBLE DIMMERS¹

Brand	Model
Legrand	RH730PTUTC
Cooper	DAL06P, AAL06
Leviton	IPL06, 6674, DSL06-1LZ, DSM10-1LZ, IPE04-1LZ, DDMX1
Lutron	HCL453P, PD-6WCL, DVCL-153P, CTCL-153P, DVCL-253P, DVELV-300P, SELV-300P, MACL-153P

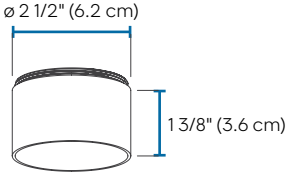
Dimming range: 10 %-100 %

¹ This table shows dimmers that have been tested and have demonstrated proper operation under normal conditions. Each installation being unique, various factors such as load, common neutrals or other electrical products on the circuit can, in certain instances, cause variance in system performance. Read and comply to the dimmer installation instructions. Consult dimming system manufacturer for additional support in operation. Some dimmers may require more than one product for stable operation. Stanpro recommends to use dimmers designed to work with LED products. Older dimmers designed for incandescent products may cause erratic operation.

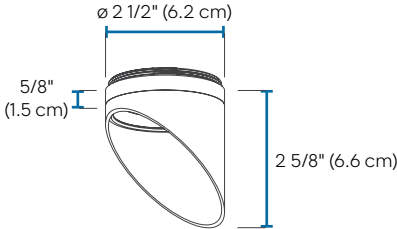
DIMENSIONS AND WEIGHTS

ACCESSORIES

STRAIGHT SNOOT

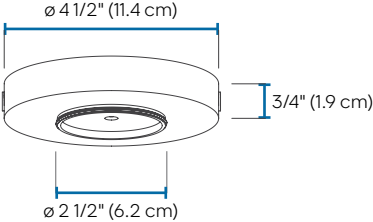


WALL WASH SNOOT

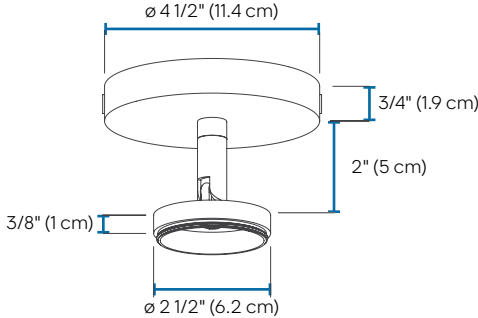


MOUNTING KITS

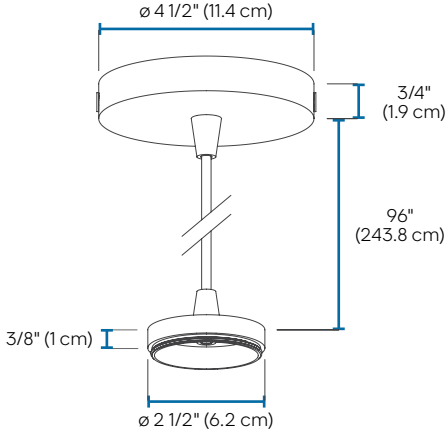
SURFACE



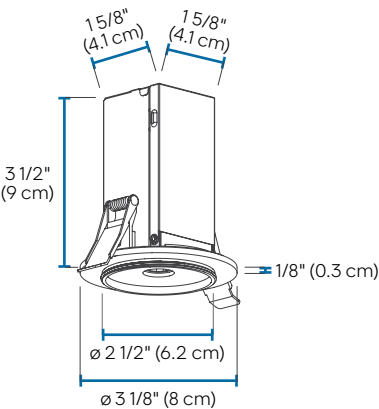
MONOPOINT



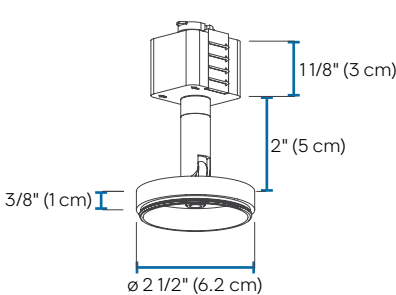
SUSPENDED



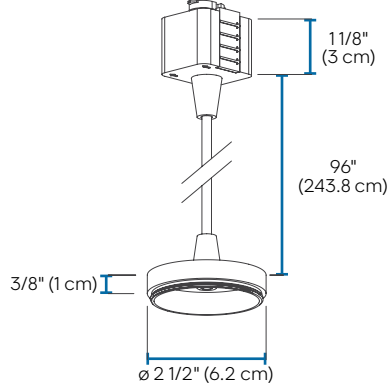
RECESSED



TRACK



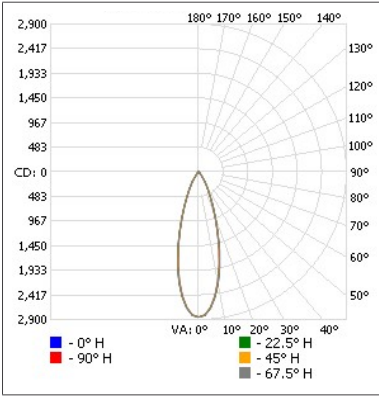
TRACK SUSPENDED



PHOTOMETRIC DATA ¹

69866 - 69867 • CYLPY2-MOD-15W-A-5CXX • 3 000 K • 40° • 1 067.3 lm

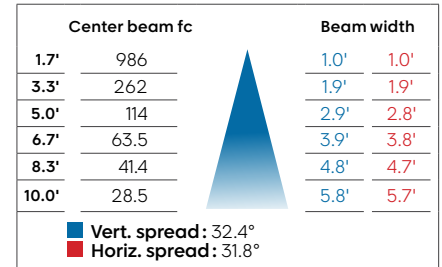
Polar candela distribution



Zonal lumen summary

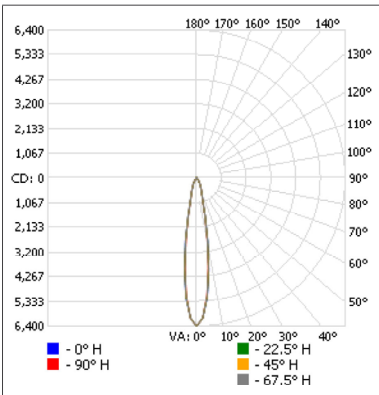
Zone	Lumens	% Fixture
0-30	921.6	86.3
0-40	1 021.7	95.7
0-60	1 063.3	99.6
60-90	4.0	0.4
70-100	1.1	0.1
90-120	0	0
0-90	1 067.3	100
90-180	0	0
0-180	1 067.3	100

Illuminance at a distance



69866 - 69867 • CYLPY2-MOD-15W-A-5CXX • 3 000 K • 15° • 1 036.1 lm

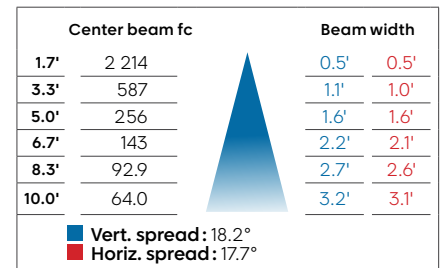
Polar candela distribution



Zonal lumen summary

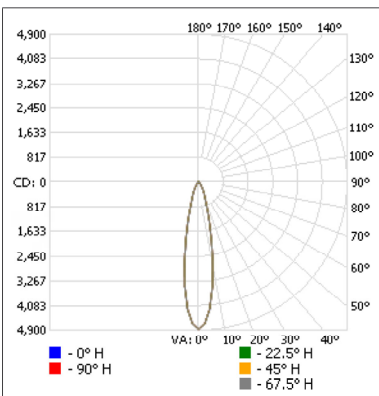
Zone	Lumens	% Fixture
0-30	925.3	89.3
0-40	1 005.4	97
0-60	1 034.2	99.8
60-90	1.9	0.2
70-100	0.6	0.1
90-120	0	0
0-90	1 036.1	100
90-180	0	0
0-180	1 036.1	100

Illuminance at a distance



69866 - 69867 • CYLPY2-MOD-15W-A-5CXX • 3 000 K • 24° • 1 072.7 lm

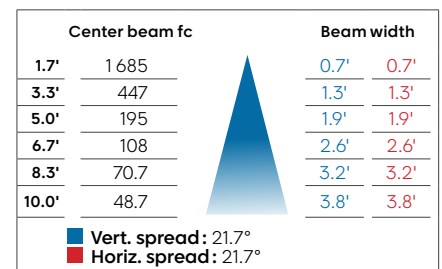
Polar candela distribution



Zonal lumen summary

Zone	Lumens	% Fixture
0-30	945.8	88.2
0-40	1 035.2	96.5
0-60	1 069.6	99.7
60-90	3.2	0.3
70-100	0.9	0.1
90-120	0	0
0-90	1 072.7	100
90-180	0	0
0-180	1 072.7	100

Illuminance at a distance



¹ Complete IES files available on our website.