

PROJECT:

DISTRIBUTOR:

DRAWN BY:

CATALOGUE #:

CONTRACTOR:

DATE:

TYPE:

PO:



# PRMRN "NOAH" WET LOCATION ANTI VANDAL RUNNING MAN COMBO

# STANPRO

## SPEC SHEET

## FEATURES AND SPECIFICATIONS

### ELECTRICAL AND CIRCUITRY

- LED ultra bright light source
- 120/277/347 V AC 60 Hz Input, field selectable
- 30 minutes minimum emergency power duration (depending on selected lamp type)
- Temperature compensated charger
- Diagnostic/pilot LED
- Complete battery recharge in 24 hours

### MECHANICAL

- One piece, molded and gasketed lens
- Stainless steel tamper proof screws and bits
- Universal spider knockout pattern stamped into backplate for junction box mounting
- Universal models include ceiling or end mount, field installable canopy kit
- Black or white finish
- Universal mounting (single face)
- Double Face (ceiling or end mount only)

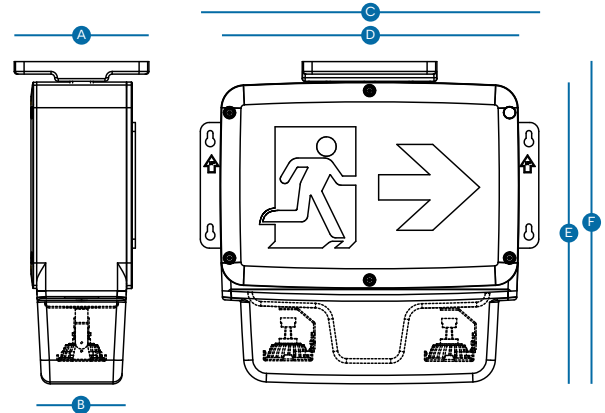
### APPROVALS

- CSA Certified to C22.2 #141-15
- CSA Certified to C860-11
- CSA Certified type 2, 3, 3R, 4, 4X, 5, 12 or 12K
- CSA Certified to NSF 2
- IP66
- IK10

### COMPLIANCE

- Meets requirements of ICES-005

## TECHNICAL DRAWINGS



A	B	C	D	E	F
5 7/8" (15 cm)	4" (10 cm)	14 7/8" (37.70 cm)	13 1/8" (33.30 cm)	13 1/4" (33.62 cm)	14 1/8" (35.90 cm)

\* Please refer to the product web page to view detailed drawings by size.



ICES  
005



Energy Verified  
Énergie Vérifiée



SANITATION  
NSF/ANSI 2

## TYPICAL SPECIFICATION

Supply and install Stanpro's Wet Location PRMRN Running Man and Battery combination unit. The sign shall be of a reinforced polycarbonate construction, stainless steel tamper proof screws and bits, one piece, molded and gasketed lens. Universal models include ceiling or end mount, field installable canopy kit. The sign shall operate with AC/DC field selectable 120/277/347 V AC Input. The face shall be illuminated by using Nichia LED ultra-bright light source. The sign shall come complete with 3 Running Man fibers for universal direction. The Exit Running Man Sign shall be CSA 22.2 No.141-15 certified, CSA Certified type 2, 3, 3R, 4, 4X, 5,12 or 12K, CSA Certified to NSF 2, IP66, IK10 and ICES 005. The battery shall be rated 120 V, 277 V or 347 V, 60 Hz constructed of durable polycarbonate housing and be CSA listed to C22.2 141-15 Nema 2, 3, 3R, 4, 4X, 5, 12, 12K, NSF 2 and be ICES 005 compliant. The unit shall have an output of: \_\_V and \_\_W and come complete with (2) x \_\_ W LED heads producing (\_\_) lumens each. The charge voltage factory set to ± 1% tolerance. High efficiency, rapid recovery, precision control charging system shall be employed to promote long battery life and reduce the potential for grid corrosion. The charger shall provide a continuous high charge to recharge the battery, when the battery is at full capacity, the charger will shut-off. Periodically the charger shall provide a pulse of energy to keep the battery at full voltage. The pulse charger shall be precisely regulated and shall charge the battery in relation to its temperature, state or charge and input voltage fluctuations. The charger shall be current limited, temperature compensated, short-circuit proof and reverse polarity protected. The unit shall be furnished with an electronic lockout circuit, which will connect the battery when the AC circuit is activated, and an electronic brown-out circuit, which will activate the emergency lights when utility power dips below 75% of nominal voltage. A low voltage battery protection circuit shall be provided and will disconnect the load when the battery reaches the end of discharge. The Stanpro Sign and Battery wet location combination unit shall be PRMRN \_\_\_\_\_.

## ORDERING GUIDE

Dropdown selections may not display correctly in web browsers. For full functionality, please download the file to use all features.

PRMRN					2		AT	
Series	Volts (V)	Watts (W)	Number of Faces	Housing Color	Heads	Lamp Selection	Mandatory Options	Options
PRMRN	6 6	036 36 W Ni-Cd	1 Single Face 2 Double Face	BK Black WH White	2 2 Heads	See lamp selection chart	AT Autotest	<b>Blank</b> Standard +10°C to +25°C <b>CW1<sup>1</sup></b> Cold Weather at -40°C to +40°C <b>0</b> No indicators (double face only) ↓ ↑ ↗ ↘ ↙ ↘ D U UR DR DL UL
		050 50 W lead acid	1 Single Face					
	072 72 W lead acid	1 Single Face 2 Double Face						
	036 36 W Ni-Cd	1 Single Face 2 Double Face						
1 12	072 72 NI-CD	1 Single Face						

<sup>1</sup>Available only with 6V 36W, 12V 36W and 12V 72W.

## LAMP SELECTION

MR16 • Small Head c/w MR16 or LED Lamp	6 V	12 V
LED	4LR, 5LA	4LR, 5LA, 6LA, 7LA

## LEXAN GUARD

	Part Number	Dimensions (in)
Wall Mount	PGD111	19.75 x 14 x 8

## MODEL RATINGS

Model	Volts (V)	Wattage Capacities (W)			
		30 min.	60 min.	90 min.	120 min.
PRMRN6036	6	36	18	12	9
PRMRN6050	6	50	25	16.5	12.5
PRMRN6072	6	72	36	24	18
PRMRN1036	12	36	18	12	9
PRMRN1072	12	72	36	24	18

## LUMEN TABLE

Watts	Lumens
4W LR	388
5W LA	435
6W LA	507
7W LA	652

## SPACING GUIDE

Mounting Height	Spacing Center to Center (ft)			
	4LR	5LA	6LA	7LA
8 ft	76	81	94	108
10 ft	79	79	93	106
15 ft	66	62	82	96
20 ft	53	49	73	87

## CONFIGURATIONS



Comes standard with (single face) three pictogram legends for direction selection.



Comes standard (double face) with two pictogram legends.



For double face no arrow options, select "No indicators" on the options column.