

PROJECT:

DISTRIBUTOR:

DRAWN BY:

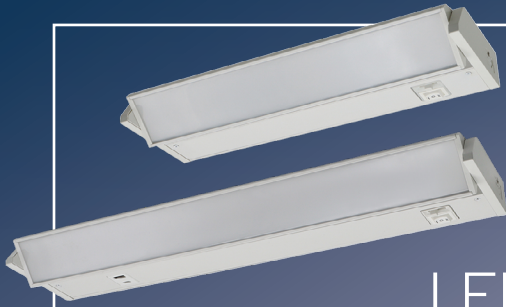
CATALOGUE #:

CONTRACTOR:

DATE:

TYPE:

PO:



LED SWIVEL LED UNDERCABINET LUMINAIRE

STANPRO

SPEC SHEET

5 CCT AND 2 POWER SELECTABLE

FEATURES AND SPECIFICATIONS

CONSTRUCTION

Physical Characteristics

- White aluminum housing
- Available sizes: 9", 12", 18", 24" and 32"
- USB/USB-C charging port available on 18", 24" and 32"
- CCT and Power selectable switches are placed on the front of the housing
- Frosted PC lens
- Standard beam angle is 120°

Mounting

- Surface mounted
- Up to 300 W can be daisy chained

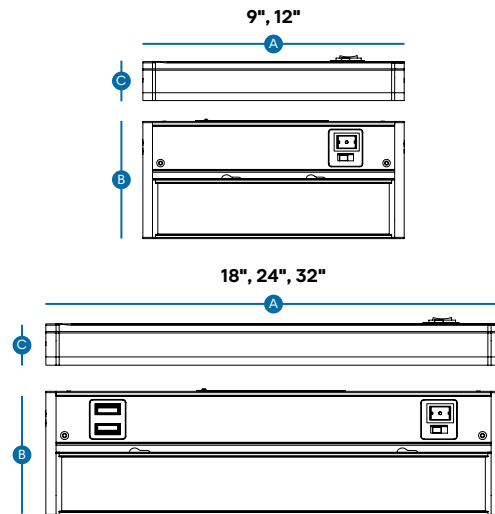
PERFORMANCE DATA

- Available in 2 700/3 000/3 500/4 000/5 000 K selectable color temperature
- 90+ CRI for true color accuracy
- Electrical ratings: 120 V
- Lumen output: 92-1 445 lm
- Phase cut (ELV / Triac) dimming standard
- Estimated life of over 54 000 hours to L70
- LM-80: 9 000 tested hours
- Operating temperature: -20°C to 40°C (-4°F to 104°F)

COMPLIANCES

- cETLus listed for Canada and USA for damp locations
- Meets requirements of ICES-005 issue 5
- IP44

TECHNICAL DRAWINGS



Size	A	B	C	Net Weight (lbs)
9"	9" (22.90 cm)	3 7/8" (9.80 cm)	1 1/4" (3.25 cm)	0.66
12"	12" (30.50 cm)	3 7/8" (9.80 cm)	1 1/4" (3.25 cm)	1.12
18"	18" (45.70 cm)	3 7/8" (9.80 cm)	1 1/4" (3.25 cm)	1.65
24"	24" (61 cm)	3 7/8" (9.80 cm)	1 1/4" (3.25 cm)	2.1
32"	32" (81.30 cm)	3 7/8" (9.80 cm)	1 1/4" (3.25 cm)	2.6

* Please refer to the product web page to view detailed drawings by size.



5 CCT



POWER
SELECTABLE



5 YEARS
WARRANTY



Intertek

QUICK SHIP AND TECHNICAL SPECIFICATION TABLE

Type	Order Code	Model Number	Lumen Output (lm) ^{1,2}	Efficacy (lm/W)	Watts (W)	USB/USB-C Charging Port (Yes/No)	Power Factor	Master Case QTY	UPC
9"									
	70775	UCS9-PS3-A-5CWH	92/224	61/75	1.5/3	No	≥0.90	10	069549037410
12"									
	70776	UCS12-PS5-A-5CWH	211/391	84/78	2.5/5	No	≥0.90	10	069549037427
18"									
	70777	UCS18-PS8-A-5CWH/USB	334/576	84/72	4/8	Yes	≥0.90	10	069549037434
24"									
	70778	UCS24-PS12-A-5CWH/USB	501/939	84/78	6/12	Yes	≥0.90	10	069549037441
32"									
	70779	UCS32-PS16-A-5CWH/USB	595/1 221	74/76	8/16	Yes	≥0.90	10	069549037458

¹ Lumen values are derived from photometric testing. Initial lumens range: +/- 10 %.

² Lumen values are based on 2 700 K default programming. Please refer to the LUMEN SPECIFICATION TABLE for more details on other color temperatures.

LUMEN SPECIFICATION TABLE

Order Code	Model Number	Watts (W)	2 700 K		3 000 K		3 500 K		4 000 K		5 000 K		Default Programming
			Lumen Output (lm)	Efficacy (lm/W)	Lumen Output (lm)	Efficacy (lm/W)	Lumen Output (lm)	Efficacy (lm/W)	Lumen Output (lm)	Efficacy (lm/W)	Lumen Output (lm)	Efficacy (lm/W)	
70775	UCS9-PS3-A-5CWH	1.5	92	61	94	63	98	65	101	67	106	71	2 700 K
		3	224	75	229	76	244	81	252	84	260	87	
70776	UCS12-PS5-A-5CWH	2.5	211	84	214	86	227	91	231	92	244	98	2 700 K
		5	391	78	397	79	425	85	436	87	452	90	
70777	UCS18-PS8-A-5CWH/USB	4	334	84	340	85	357	89	367	92	384	96	2 700 K
		8	576	72	588	74	623	78	646	81	666	83	
70778	UCS24-PS12-A-5CWH/USB	6	501	84	512	85	540	90	549	92	577	96	2 700 K
		12	939	78	962	80	1 024	85	1 051	88	1 086	91	
70779	UCS32-PS16-A-5CWH/USB	8	595	74	606	76	638	80	661	83	702	88	2 700 K
		16	1 221	76	1 246	78	1 341	84	1 392	87	1 445	90	

ACCESSORIES*

Order Code	Model Number	Description	Length (in)	Master Case QTY	Figure
67202	UCS/PLUG/120V/STD	120 V power cord plug	73 5/8	100	A
67203	UCS/JUMPER/6IN/STD	6" jumper	6	500	B
67204	UCS/JUMPER/24IN/STD	24" jumper	24	250	B
67205	UCS/JUMPER/36IN/STD	36" jumper	36	100	B
67787¹	UC/HARDWIREBOX/120V/STD	Hardwire box	6 1/2	50	C

* Order separately.

¹ The hardwire junction box does not include the jumper cable.



A



B



C



1x 1/2" Romex Hardwired Connector



2x Mounting Screws



1x End to End Connector

INCLUDED IN THE BOX

COMPATIBLE DIMMERS¹

	9"	12"	18"	24"	32"
Brand	Model				
Cooper	DAL06P, SAL06P3	DAL06P, SAL06P3	DAL06P, AAL06, SAL06P3	DAL06P, AAL06, SAL06P3	DAL06P, AAL06, SAL06P3
Leviton	6615, 6674, DSL06-1LZ, DSM10-1LZ, IPE04-1LZ, DDMX1	6615, DSL06-1LZ, DSM10-1LZ, IPE04-1LZ, DDMX1	6615, 6674, DSM10-1LZ, IPE04-1LZ, DDMX1	6615, 6674, DSL06-1LZ, DSM10-1LZ, IPE04-1LZ, DDMX1	6615, 6674, DSL06-1LZ ² , DSM10-1LZ ² , IPE04-1LZ, DDMX1
Lutron	HCL453P, PD-6WCL, DVCL-153P, CTCL-153P, AYCL-253P, DVELV-300P, SELV-300P, MACL-153P	HCL453P, PD-6WCL, DVCL-153P, CTCL-153P, AYCL-253P, DVELV-300P, SELV-300P, MACL-153P	HCL453P, PD-6WCL, DVCL-153P, CTCL-153P, AYCL-253P, DVELV-300P, SELV-300P, MACL-153P	HCL453P, PD-6WCL, DVCL-153P, CTCL-153P, AYCL-253P, DVELV-300P, SELV-300P, MACL-153P	HCL453P, PD-6WCL, DVCL-153P, CTCL-153P, AYCL-253P, DVELV-300P, SELV-300P, MACL-153P

Dimming range : 10 %-100 %

¹This table shows dimmers that have been tested and have demonstrated proper operation under normal conditions. Each installation being unique, various factors such as load, common neutrals or other electrical products on the circuit can, in certain instances, cause variance in system performance. Read and comply to the dimmer installation instructions. Consult dimming system manufacturer for additional support in operation. Some dimmers may require more than one product for stable operation. Stanpro recommends to use dimmers designed to work with LED products. Older dimmers designed for incandescent products may cause erratic operation.

² Dimming range over 10%.