

Series Spec Sheet

FLL

HIGH POWER FLOOD AND AREA LIGHTS CCT¹ AND POWER SELECTABLE

These high-power flood lights are designed with ease of installation due to the slide on feature for mounting options and they allow for optic interchangeability to suit different applications. The color temperature and the power can be changed on site by sliding the CCT selectable switches. For energy savings and enhanced safety, this product series comes with a 7 pin photocell receptacle for the ability to add a dusk till dawn photocell and includes a sensor adapter compatible with both smart and non-smart sensors. The FLL series is great for general lighting of grounds, storage yards, car dealerships, parking areas as well as flood lighting of signs and building facades.

FEATURES AND SPECIFICATIONS

• Construction

Physical Characteristics

- Die-cast aluminum housing, available in a black and bronze finish
- Housing design includes 2 front latches to facilitate the exchange of optic
- 7 pin photocell receptacle and shorting cap included. 3-pin and 7-pin photocells available as accessories.
- CCT and Power select switches are located underneath the housing and are easily accessible on field
- Integrated sensor receptacle makes for easy plug-and-play installation of smart and non-smart sensors. No wiring required. Sensors are sold separately, see accessories table
- 1 meter of power cable to better facilitate the installation included in all configurations

Lens/Optic

- A frosted polycarbonate lens in a nema 7Hx7V distribution is standard for this series. Area lights optics are available as an accessory: II, III, IV and V.

Mounting

- Quick and easy installation with the following mounting accessories available:
 - Yoke
 - Trunnion
 - Slipfitter (Ø 2.59")
 - Square/Round pole arm
 - Slipfitter with wall/pole mount adapter
 - 90 degree wall mount arm. Conjointly to be used with the slipfitter.

• Performance data

- Available in a 2 200 K color temperature and in 3 000/4 000/5 000 K selectable color temperature
- 80+ CRI
- Electrical ratings: 120-347 V
- Estimated life of 100 000 hours to L70
- 0-10 V dimming standard
- Operating temperature: -40 °C to 50 °C (-40 °F to 122 °F)
- 10kV surge protection

• Compliances

- cULus listed for wet location
- Meets requirements of ICES-005 issue 5 class A for use in commercial applications
- IK08
- IP65
- BC Hydro
- 3G vibration resistant in compliance with ANSI/IEEE C136.31 standard for luminaire vibration
- DLC Premium
- Dark sky

OVERVIEW

Light source	LED
Watts (W)	60/100/150 160/200/240/300 350/400/450
Lumen output (lm)	8 017 - 62 598
Efficacy (lm/W)	122 - 164
Color temperature (K)	2 200 3 CCT (3 000/4 000/5 000)
CRI	80+

¹ CCT selectable available on certain models. Consult Quick ship and technical specification table for more details.

² Applicable to 2200K color temperature models coming with a straight pole arm mount.

Bronze



Black



Not all products are qualified on the DLC QPL. To view our DLC qualified products, please consult the DLC Qualified Products List at www.designlights.org/search.

QUICK SHIP AND TECHNICAL SPECIFICATION TABLE

Order code	Model number	DLC unique ID	Watts	Volts	Color temp.	Lumen output	Efficacy	CRI	Life L70	Tested hours LM-80	Calculated TM21	NEMA type ⁵	B.U.G.	LED current	Finish	Power factor	THD	Traditional equivalent		Master case qty
			(W)	(VAC)	(K) ¹	(lm) ^{2,3}	(lm/W)	(hrs) ⁴	(hrs) ⁴	(hrs) ⁴	(mA)	(%)	(%)	(W)	HPS					
CCT and Power Selectable																				
69796	FLLS-PS150W-Q3CBR	S-FCQPYC	60/100/150	120-347	3 000/4 000/5 000	22 137	148	80+	100 000	10 000	>60 000	7H x 7V	B4-U0-G1	54.5	Bronze	≥0.9	≤20	400-1 000	400	1
69797	FLLM-PS300W-Q3CBR	S-D2WTVR	160/200/240/300	120-347	3 000/4 000/5 000	43 965	147	80+	100 000	10 000	>60 000	7H x 7V	B5-U0-G2	54.5	Bronze	≥0.9	≤20	400-1 000	1 000	1
69798	FLLL-PS450W-Q3CBR	S-ZXX81R	350/400/450	120-347	3 000/4 000/5 000	62 645	139	80+	100 000	10 000	>60 000	7H x 7V	B5-U0-G2	54.5	Bronze	≥0.9	≤20	1 000	1 000	1
69799	FLLS-PS150W-Q3CBK	S-FCQPYC	60/100/150	120-347	3 000/4 000/5 000	22 137	148	80+	100 000	10 000	>60 000	7H x 7V	B4-U0-G1	54.5	Black	≥0.9	≤20	400-1 000	400	1
69800	FLLM-PS300W-Q3CBK	S-D2WTVR	160/200/240/300	120-347	3 000/4 000/5 000	43 965	147	80+	100 000	10 000	>60 000	7H x 7V	B5-U0-G2	54.5	Black	≥0.9	≤20	400-1 000	1 000	1
69801	FLLL-PS450W-Q3CBK	S-ZXX81R	350/400/450	120-347	3 000/4 000/5 000	62 645	139	80+	100 000	10 000	>60 000	7H x 7V	B5-U0-G2	54.5	Black	≥0.9	≤20	1 000	1 000	1
Single CCT and Power Selectable																				
69802	FLLS-PS150W-Q22KBR	N/A	60/100/150	120-347	2 200	17 702	123	80+	100 000	10 000	>60 000	7H x 7V	B4-U0-G1	54.5	Bronze	≥0.9	≤20	400-1 000	250-400	1
69803	FLLM-PS300W-Q22KBR	N/A	160/200/240/300	120-347	2 200	36 372	122	80+	100 000	10 000	>60 000	7H x 7V	B5-U0-G2	54.5	Bronze	≥0.9	≤20	400-1 000	400-1 000	1
70520	FLLS-PS150W-Q22KBK	N/A	60/100/150	120-347	2 200	17 702	123	80+	100 000	10 000	>60 000	7H x 7V	B4-U0-G1	54.5	Black	≥0.9	≤20	400-1 000	250-400	1

¹ Typical color temperature range: +/- 5 %.
² Lumen values are derived from photometric testing. Initial lumens range: +/- 10 %.
³ Lumen values are based on 4 000 K default programming for CCT selectable models. Please refer to the LUMEN SPECIFICATION TABLE for more details on other color temperatures.
⁴ Life hours are derived from IESNA LM-80 testing report and projected per IESNA TM-21 extrapolations.
⁵ Type II, III, IV and V distributions available. Refer to accessory table.

TECHNICAL SPECIFICATION TABLE
CCT AND POWER SELECTABLE

Order code	Model numbers	Watts (W)	Nema Type	3 000 K		Traditional equivalent (W)		4 000 K		Traditional equivalent (W)		5 000 K		Traditional equivalent (W)	
				Lumen output (lm)	Efficacy (lm/W)	MH	HPS	Lumen output (lm)	Efficacy (lm/W)	MH	HPS	Lumen output (lm)	Efficacy (lm/W)	MH	HPS
				69796 69799	FLLS-PS150W-Q3CBR FLLS-PS150W-Q3CBK	60 100 150	7H x 7V	8 814 14 480 19 750	147 145 132	175-250 250-400 400-750	150-175 250-400 250-400	9 355 15 801 22 137	156 158 148	250 400-750 400-1 000	175 250-400 400-1 000
69797 69800	FLLM-PS300W-Q3CBR FLLM-PS300W-Q3CBK	160 200 240 300	7H x 7V	24 047 28 950 32 848 38 639	150 145 137 129	750-1 000 750-1 000 750-1 000 750-1 000	400-1 000 400-1 000 400-1 000 1000	26 182 31 848 36 562 43 965	164 159 152 147	750-1 000 750-1 000 750-1 000 750-1 000	400-1 000 400-1 000 400-1 000 1000	25 918 31 140 35 338 41 797	162 156 147 139	750-1 000 750-1 000 750-1 000 750-1 000	400-1 000 400-1 000 400-1 000 1000
69798 69801	FLLL-PS450W-Q3CBR FLLL-PS450W-Q3CBK	350 400 450	7H x 7V	45 589 49 065 56 253	130 123 125	750-1 000 1000 1000	1000 1000 1000	50 140 54 217 62 645	143 136 139	1000 1000 1000	1000 1000 1000	48 900 52 254 59 665	140 131 133	1000 1000 1000	1000 1000 1000

DEFAULT PROGRAMMING
 69796 / 69799: 150 W / 4 000 K
 69797 / 69800: 300 W / 4 000 K
 69798 / 69801: 450 W / 4 000 K

TECHNICAL SPECIFICATION TABLE
SINGLE CCT AND POWER SELECTABLE

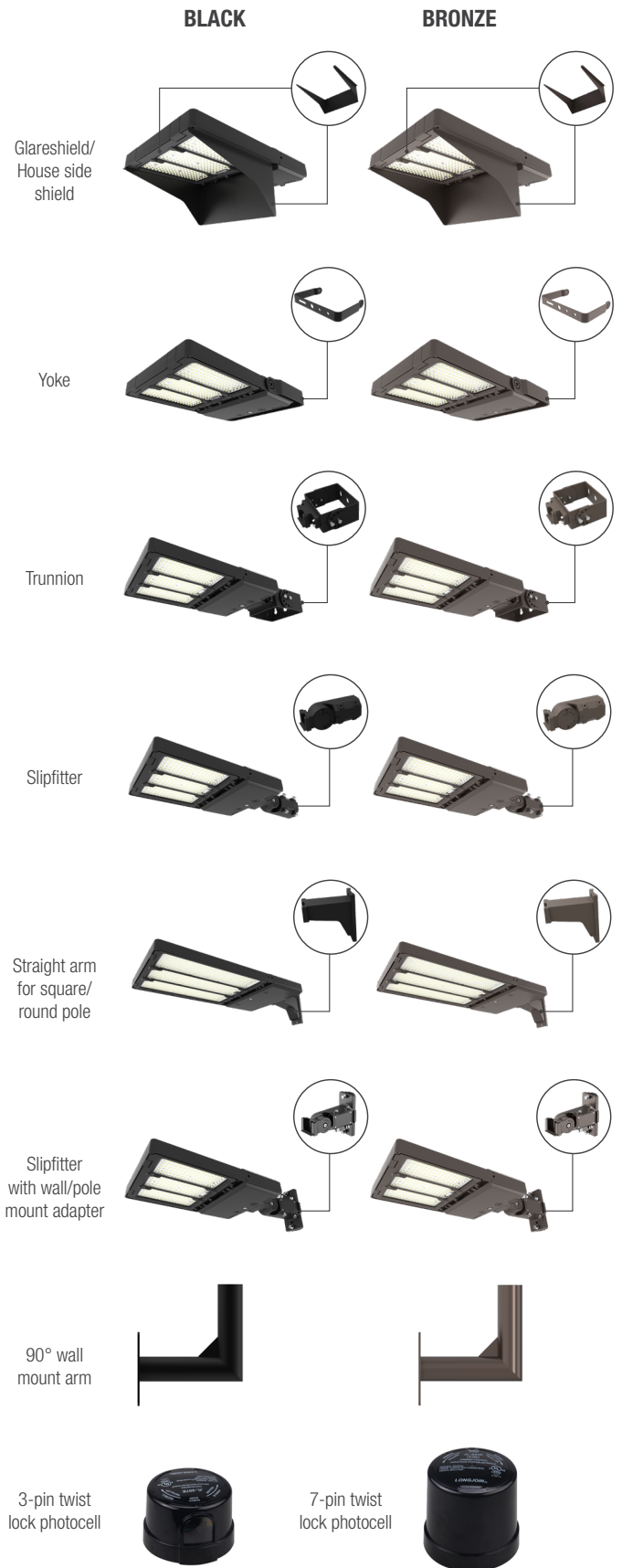
Order code	Model numbers	Watts (W)	Nema Type	2 200 K		Traditional equivalent (W)	
				Lumen output (lm)	Efficacy (lm/W)	MH	HPS
69802_70520	FLLS-PS150W-Q22KBR_FLLS-PS150W-Q22KBK	60	7H x 7V	8 017	135	175-250	150-175
		100		12 980	131	250-400	250-400
		150		17 702	123	400-750	250-400
69803	FLLM-PS300W-Q22KBR	160	7H x 7V	22 556	136	750-1 000	400-1 000
		200		27 112	132	750-1 000	400-1 000
		240		31 011	128	750-1 000	400-1 000
		300		36 372	122	750-1 000	400-1 000

DEFAULT PROGRAMMING
 69802_70520: 150 W
 69803: 300 W

Data is based upon tests performed in a controlled environment. Actual performance can vary depending on operating conditions. All products are subject to change or may be discontinued any time without notice. Please contact your Stanpro customer service representative to confirm inventory levels at time of order.

ACCESSORIES (order separately)

Order code	Type	Finish	Compatible with
69823	Glareshield (GS) / House side shield (HSS) for 150 W models	Bronze	69796, 69802
69824	Glareshield (GS) / House side shield (HSS) for 300 W models	Bronze	69797, 69803
69825	Glareshield (GS) / House side shield (HSS) for 450 W models	Bronze	69798
69805	Yoke mount for 150 W models	Bronze	69796, 69802
69806	Yoke mount for 300 W models	Bronze	69797, 69803
69807	Yoke mount for 450 W models	Bronze	69798
69808	Trunnion	Bronze	69796, 69797, 69798, 69802, 69803
69809	Slipfitter for 150 W and 300 W models	Bronze	69796, 69797, 69802, 69803
69810	Slipfitter for 450 W models	Bronze	69798
69811	Straight arm for square/round pole	Bronze	69796, 69797, 69798, 69802, 69803
69812	Slipfitter with wall/pole mount adapter for 150 W and 300 W models	Bronze	69796, 69797, 69802, 69803
69813	Slipfitter with wall/pole mount adapter for 450 W models	Bronze	69798
69826	Glareshield (GS) / House side shield (HSS) for 150 W models	Black	69799
69827	Glareshield (GS) / House side shield (HSS) for 300 W models	Black	69800
69828	Glareshield (GS) / House side shield (HSS) for 450 W models	Black	69801
69814	Yoke mount for 150 W models	Black	69799
69815	Yoke mount for 300 W models	Black	69800
69816	Yoke mount for 450 W models	Black	69801
69817	Trunnion	Black	69799, 69800, 69801
69818	Slipfitter for 150W and 300 W models	Black	69799, 69800
69819	Slipfitter for 450 W models	Black	69801
69820	Straight arm for square/round pole	Black	69799, 69800, 69801
69821	Slipfitter with wall/pole mount adapter for 150 W and 300 W models	Black	69799, 69800
69822	Slipfitter with wall/pole mount adapter for 450 W models	Black	69801
69829	Type II distribution lens for 150 W models	N/A	69796, 69799, 69802
69830	Type III distribution lens for 150 W models	N/A	69796, 69799, 69802
69831	Type IV distribution lens for 150 W models	N/A	69796, 69799, 69802
69832	Type V distribution lens for 150 W models	N/A	69796, 69799, 69802
69833	Type II distribution lens for 300 W models	N/A	69797, 69800, 69803
69834	Type III distribution lens for 300 W models	N/A	69797, 69800, 69803
69835	Type IV distribution lens for 300 W models	N/A	69797, 69800, 69803
69836	Type V distribution lens for 300 W models	N/A	69797, 69800, 69803
69837	Type II distribution lens for 450 W models	N/A	69798, 69801
69838	Type III distribution lens for 450 W models	N/A	69798, 69801
69839	Type IV distribution lens for 450 W models	N/A	69798, 69801
69840	Type V distribution lens for 450 W models	N/A	69798, 69801
70571 ¹	External High Frequency sensor EFS06R.B1	N/A	All configuraions
70269 ²	90 degree wall mount arm	Bronze	All configuraions
70270 ²	90 degree wall mount arm	Black	All configuraions
70271	3-pin twist lock photocell	Black	All configuraions
70272	7-pin twist lock photocell	Black	All configuraions



¹ To change factory setting, purchase remote 69080 (sold separately)
² This wall mount bracket has to be used jointly with the slipfitter mounting

Data is based upon tests performed in a controlled environment. Actual performance can vary depending on operating conditions. All products are subject to change or may be discontinued any time without notice. Please contact your Stanpro customer service representative to confirm inventory levels at time of order.

SMART ACCESSORIES (order separately) 

Order code	Description
70000	Genio Bluetooth® Mesh External low voltage fixture controller black
70001	Outdoor arm extension black
70002	Genio Bluetooth® Mesh Outdoor PIR audio jack sensor black



COMPATIBLE DIMMERS¹

Brand	Model
Lutron	NTSTV-DV, NFTV, DDTV,WH
Leviton	DS710, IP710
Legrand	H4FBL3PW

Dimming range: 0%-100%

¹ This table shows dimmers that have been tested and have demonstrated proper operation under normal conditions. Each installation being unique, various factors such as load, common neutrals or other electrical products on the circuit can, in certain instances, cause variance in system performance. Read and comply to the dimmer installation instructions. Consult dimming system manufacturer for additional support in operation. Some dimmers may require more than one product for stable operation. Stanpro recommends to use dimmers designed to work with LED products. Older dimmers designed for incandescent products may cause erratic operation.

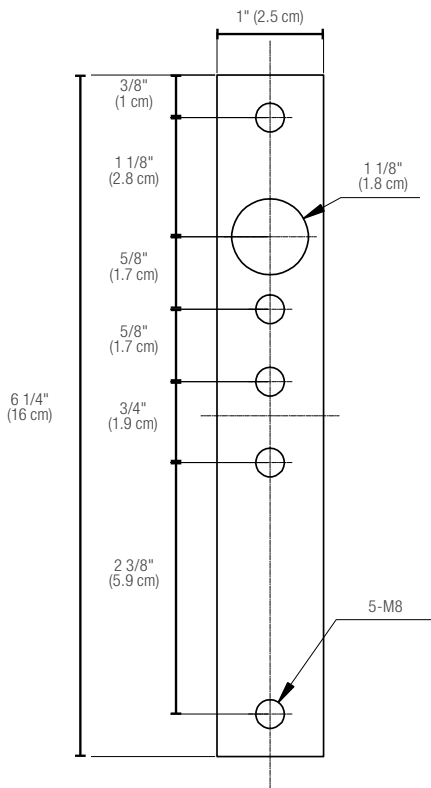
EPA

Mounting type	Configuration					
		Single	2 @ 180°	2 @ 90°	3 @ 90°	4 @ 90°
Slipfitter ¹	150W	1.748	1.748	2.070	2.070	2.620
	300W	2.575	2.575	2.870	2.870	3.520
	450W	3.250	3.250	3.690	3.690	4.560
Square/Round Pole arm	150W	1.880	1.880	2.340	2.340	3.060
	300W	2.730	2.730	3.210	3.210	4.040
	450W	3.380	3.380	4.420	4.420	5.450

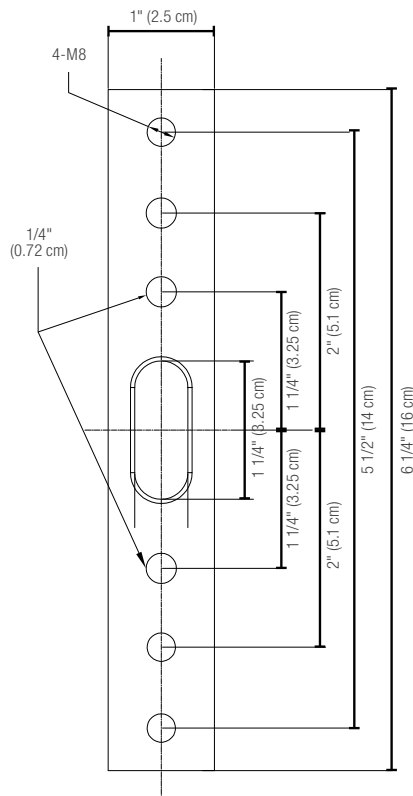
¹ Based on 60° tilt.

DRILLING PATTERNS

Straight arm for square/round pole (69811, 69820)



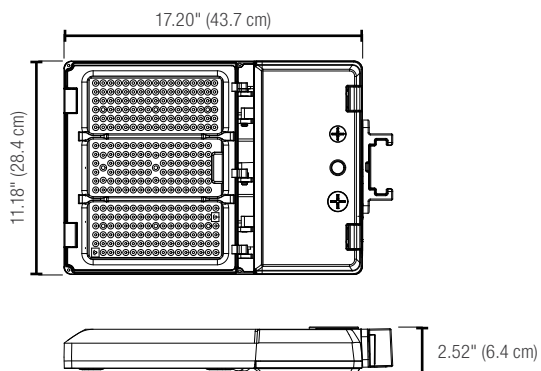
Slipfitter and wall/pole mount adapter (69812, 69813, 69821, 69822)



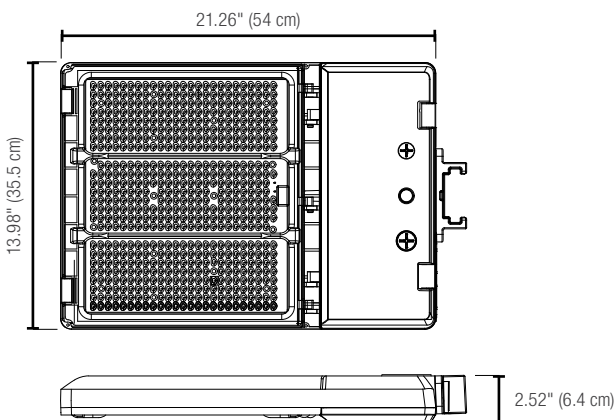
Data is based upon tests performed in a controlled environment. Actual performance can vary depending on operating conditions. All products are subject to change or may be discontinued any time without notice. Please contact your Stanpro customer service representative to confirm inventory levels at time of order.

DIMENSIONS AND WEIGHTS

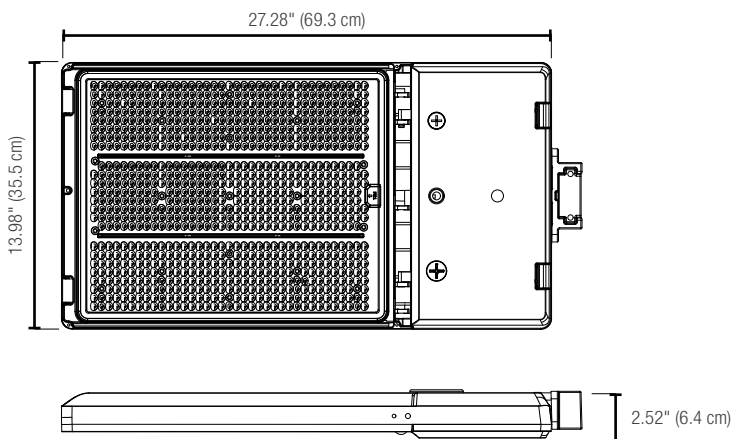
150 W



300 W



450 W



	150 W	300 W	450 W
Net weight (lbs)	9.17	11.63	15.88

OCCUPANCY SENSORS

BI-LEVEL SENSORS

Detection - On at (Detection Area) % during (Hold Time) min., then (Stand-by Dim level) %

Part Number	Position	Volt (V)	Technology	Height (Ft)	Detection Area (%)	Initial Brightness (%)	Sensitivity (%)	Hold Time (Min)	Stand-By Dim Level (%)	Stand-By Period (Min)	Remote1	Location (°C)
69444	External	120-347 (12 V DC)	High Frequency	40 (max)	100	50, 75, 100	0 (Off), 50 (Low), 100 (High)	30s, 5min, 15min, 30min	0, 10, 30, 50	infinite	69080	Dry and Wet, -30 to +40

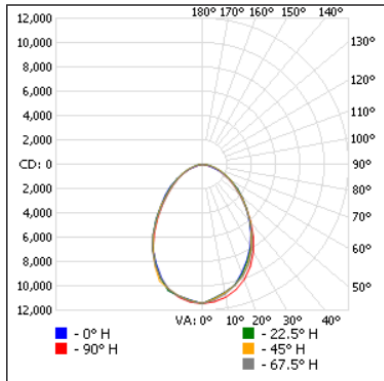
Default settings: Brightness: 100%, hold time: 5min, stand-by dim: 50%, stand-by time: 30min, photocell: off, sensitivity: 100%

Data is based upon tests performed in a controlled environment. Actual performance can vary depending on operating conditions. All products are subject to change or may be discontinued any time without notice. Please contact your Stanpro customer service representative to confirm inventory levels at time of order.

PHOTOMETRIC DATA¹

69796-69799 • FLLS-PS150W-Q3CXX • 150 W • 4 000 K • 22 137 lm

Polar candela distribution



Zonal lumen summary

Zone	Lumens	% Fixture
0-30	8 102.3	36.6
0-40	12 462.31	56.31
0-60	19 126.5	86.41
60-90	3 008.61	13.61
70-100	1 132.91	5.1
90-120	1.9	0
0-90	22 135.1	100
90-180	1.9	0
0-180	22 137.0	100

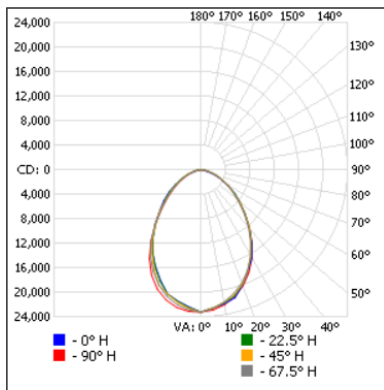
Illuminance at a distance

Center beam fc	Beam width	
	29.7'	29.5'
17'	39.6	29.7'
34'	9.90	59.4'
51'	4.40	89.2'
68'	2.47	118.9'
85'	1.58	148.6'
102'	1.10	178.3'

Vert. spread : 82.3°
Horiz. spread : 82.0°

69797-69800 • FLLM-PS300W-Q3CXX • 300 W • 4 000 K • 43 965 lm

Polar candela distribution



Zonal lumen summary

Zone	Lumens	% Fixture
0-30	16 482.5	37.5
0-40	25 325.5	57.6
0-60	38 469.4	87.5
60-90	5 491.8	12.5
70-100	1 984.3	4.5
90-120	3.4	0
0-90	43 961.2	100
90-180	3.4	0
0-180	43 964.6	100

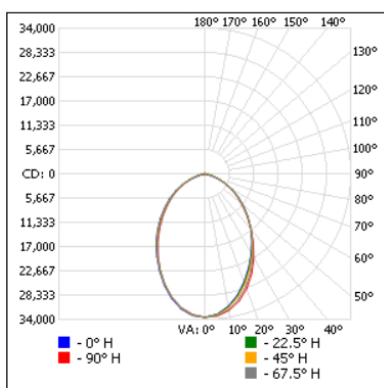
Illuminance at a distance

Center beam fc	Beam width	
	29.3'	29.3'
17'	80.4	29.3'
34'	20.1	58.6'
51'	8.94	87.9'
68'	5.03	117.2'
85'	3.22	146.6'
102'	2.23	175.9'

Vert. spread : 81.5°
Horiz. spread : 81.6°

69798-69801 • FLLL-PS450W-Q3CXX • 450 W • 4 000 K • 62 645 lm

Polar candela distribution



Zonal lumen summary

Zone	Lumens	% Fixture
0-30	22 968.7	36.7
0-40	35 135.6	56.1
0-60	54 572.0	87.1
60-90	7 875.2	12.6
70-100	2 556.7	4.1
90-120	35.3	0.1
0-90	62 447.2	99.7
90-180	197.7	0.3
0-180	62 644.9	100

Illuminance at a distance

Center beam fc	Beam width	
	28.8'	28.1'
17'	116	28.8'
34'	29.0	57.7'
51'	12.9	86.5'
68'	7.24	115.3'
85'	4.64	144.1'
102'	3.22	173.0'

Vert. spread : 80.6°
Horiz. spread : 79.2°

¹ Complete IES files available on our website.

Data is based upon tests performed in a controlled environment. Actual performance can vary depending on operating conditions. All products are subject to change or may be discontinued any time without notice. Please contact your Stanpro customer service representative to confirm inventory levels at time of order.