

PROJECT:

DISTRIBUTOR:

DRAWN BY:

CATALOGUE #:

CONTRACTOR:

DATE:

TYPE:

PO:



STANPRO

SPEC SHEET

3 OPTICS SELECTABLE, CONTROL-READY

FEATURES AND SPECIFICATIONS

CONSTRUCTION

Physical Characteristics

- Aluminum die-cast housing available in Bronze and Black finishes
- 3 CCT, 3 Power Select and 3 Distribution types select switches are placed discreetly inside the housing
- Clear Polycarbonate lens
- Distribution types: III, IV and V (IV is set as a standard)
- Standard with 7pin photocell receptacle and a shorting cap, 1 m power cable

Mounting

- Quick and easy installation with the following mounting accessories available:
 - Slipfitter (Ø 2.59")
 - Square/Round pole arm
 - Slipfitter with wall/pole mount adapter

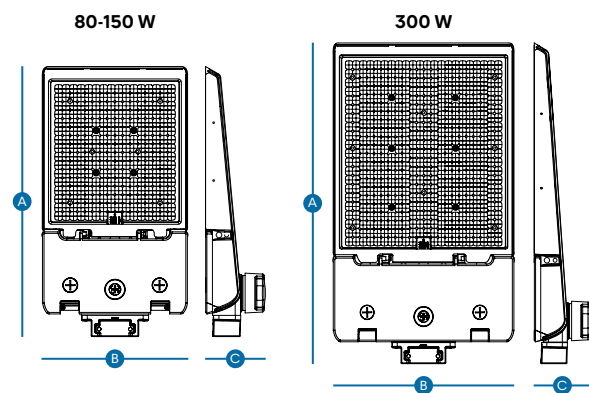
PERFORMANCE DATA

- 3 000/4 000/5 000 K selectable color temperature, default programming at 4 000 K. 2 200 K available on demand
- 80+ CRI
- Electrical ratings: 120-347 V
- Lumen output: 5 600-48 000 lm
- 0-10 V dimming standard
- 10 kV surge protection standard, additional 20 kV protection as accessory
- Estimated life of over 100 000 hours to L70, LM80: 17 000 tested hours
- Operating temperature: -40 °C to 50 °C (-40 °F to 122 °F)
- Integrated sensor receptacle makes for easy plug-and-play installation of smart and non-smart sensors. No wiring required. Sensors are sold separately, see accessories table

COMPLIANCES

- cULus listed for Canada and USA for wet locations
- DLC Premium and Dark Sky in progress
- Meets requirements of ICES-005 issue 5, Class A
- IP65
- 3G vibration resistant in compliance with ANSI/IEEE C136.31 standard for luminaire vibration
- BC Hydro

TECHNICAL DRAWINGS



Size	A	B	C	Net Weight (lbs)
80-150 W	20" (50.90 cm)	10 5/8" (27 cm)	4 3/8" (11.10 cm)	10.36
300 W	24" (60.90 cm)	14" (35.60 cm)	4 3/8" (11.10 cm)	14.88

* Please refer to the product web page to view detailed drawings by size.



3 CCT



POWER SELECTABLE



CONTROLS READY



5 YEARS WARRANTY



IK08



QUICK SHIP AND TECHNICAL SPECIFICATION TABLE

Type	Order Code	Model Number	DLC Unique ID	Lumen Output (lm) ^{2,3}	Efficacy (lm/W)	Watts (W)	Distribution Type	Finish	Traditional Equivalent (W)		Master Case QTY	UPC
									MH	HPS		
	71014	AIRA-PS80A-Q-3C-BK	Pending	5 352-12 620	141-167	35 / 50 / 80	III / IV / V	Black	150-250	100-175	1	069549037854
	71015	AIRA-PS80A-Q-3C-BR	Pending	5 352-12 620	141-167	35 / 50 / 80	III / IV / V	Bronze	150-250	100-175	1	069549037861
	71016	AIRA-PS150A-Q-3C-BK	Pending	14 550-22 892	139-163	100 / 120 / 150	III / IV / V	Black	400-750	250-400	1	069549037878
	71017	AIRA-PS150A-Q-3C-BR	Pending	14 550-22 892	139-163	100 / 120 / 150	III / IV / V	Bronze	400-750	250-400	1	069549037885
	71018	AIRA-PS300A-Q-3C-BK	Pending	30 370-48 564	140-170	200 / 240 / 300	III / IV / V	Black	750-1 000	400-1 000	1	069549037892
	71019	AIRA-PS300A-Q-3C-BR	Pending	30 370-48 564	140-170	200 / 240 / 300	III / IV / V	Bronze	750-1 000	400-1 000	1	069549037908

¹ Typical color temperature range: +/- 5 %.

² Lumen values are derived from photometric testing. Initial lumens range: +/- 10 %.

³ Lumen values are based on 4 000 K default programming. Please refer to the LUMEN SPECIFICATION TABLE for more details on other color temperatures.

⁴ Life hours are derived from IESNA LM-80 testing report and projected per IESNA TM-21 extrapolations.

LUMEN SPECIFICATION TABLE

Order Code	Model Number	Watts (W)	Type of Distrib.	LED Current (mA)	3 000 K		4 000 K		5 000 K		Default Programming
					Lumen Output (lm)	Efficacy (lm/W)	Lumen Output (lm)	Efficacy (lm/W)	Lumen Output (lm)	Efficacy (lm/W)	
71014 71015	AIRA-PS80A-Q-3C-BK AIRA-PS80A-Q-3C-BR	35	III	150	5 363	160	5 494	165	5 579	166	80 W / 4 000 K / Type IV
			IV		5 352	162	5 476	166	5 596	168	
			V		5 505	156	5 643	162	5 716	162	
		50	III	220	7 562	157	7 795	164	7 900	163	
			IV		7 584	161	7 817	166	7 976	167	
			V		7 598	153	7 771	160	7 848	158	
71016 71017	AIRA-PS150A-Q-3C-BK AIRA-PS150A-Q-3C-BR	80	III	354	12 234	148	12 290	157	12 278	154	150 W / 4 000 K / Type IV
			IV		12 345	154	12 444	164	12 620	163	
			V		11 550	141	11 825	149	12 069	146	
		100	III	443	15 337	149	16 021	159	16 011	155	
			IV		15 305	154	15 939	163	16 105	161	
			V		14 550	142	15 187	152	15 176	148	
71018 71019	AIRA-PS300A-Q-3C-BK AIRA-PS300A-Q-3C-BR	120	III	526	17 370	145	18 183	156	18 147	151	300 W / 4 000 K / Type IV
			IV		17 740	152	18 303	161	18 414	159	
			V		16 447	139	17 244	149	17 188	144	
		150	III	651	22 177	146	22 373	150	22 089	143	
			IV		22 482	155	22 774	158	22 892	155	
			V		21 274	141	22 156	153	22 133	147	
71018 71019	AIRA-PS300A-Q-3C-BK AIRA-PS300A-Q-3C-BR	200	III	853	31 024	156	32 337	166	32 270	161	300 W / 4 000 K / Type IV
			IV		31 591	163	32 782	172	33 050	170	
			V		30 370	153	31 568	162	31 490	157	
		240	III	995	36 643	150	38 369	161	38 061	155	
			IV		37 876	161	39 166	170	39 393	167	
			V		35 826	147	37 541	158	37 307	152	
300	III	1 252	45 316	145	46 810	154	46 081	146			
	IV		46 524	156	48 564	166	48 520	161			
			V		43 524	140	45 915	153	45 421	145	

ORDERING GUIDE*

Dropdown selections may not display correctly in web browsers. For full functionality, please download the file to use all features.

AIRA		Q	22K	
Series	Lumen Package (W)	Volts (V)	Color Temp. (K)	Casting Color
AIRA	PS80A - 35 / 50 / 80 PS150A - 100 / 120 / 150 PS300A - 200 / 240 / 300	Q - 120-347	22K - 2 200 K	BK - Black BR - Bronze

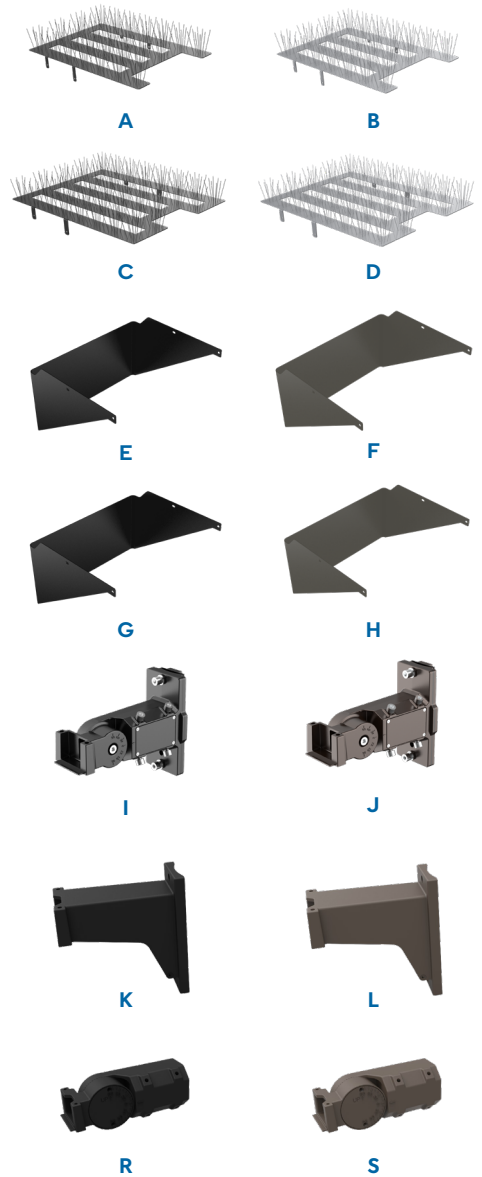
* Contact factory.

LUMEN SPECIFICATION TABLE

Lumen Package	Type of Distrib.	Watts (W)	LED Current (mA)	2 200 K		CRI	Traditional Equivalent (W)	
				Lumen Output (lm)	Efficacy (lm/W)		MH	HPS
PS80	T3	35	150	4 463	129	80	100-250	100-175
		50	220	6 593	127			
		80	354	10 416	125			
	T4	35	150	4 747	136			
		50	220	6 995	135			
		80	354	10 546	132			
		35	150	4 298	127			
		50	220	6 070	126			
PS150	T5	80	354	9 897	120			
		100	443	13 169	129			
		120	526	15 297	124			
	T3	150	651	18 463	120			
		100	443	13 423	135			
		120	526	15 919	133			
		150	651	18 845	129			
		100	443	12 675	124			
PS300	T4	120	526	14 789	120	80	750	400
		150	651	17 368	114			
		200	853	27 432	129			
	T3	240	995	30 654	123			
		300	1 252	37 087	120			
		200	853	28 224	137			
		240	995	32 011	135			
		300	1 252	38 027	129			
T5	200	853	26 704	126				
	240	995	30 104	121				
	300	1 252	35 231	114				

ACCESSORIES*

Order Code	Description	Figure
71349	Bird spikes for 80-150W, Black	A
71351	Bird spikes for 80-150W, Bronze	B
71350	Bird spikes for 300W, Black	C
71352	Bird spikes for 300W, Bronze	D
71020	Black Glareshield for 80-150W	E
71021	Bronze Glareshield for 80-150W	F
71022	Black Glareshield for 300W	G
71023	Bronze Glareshield for 300W	H
69821	Black Slipfitter wall/pole adapt. 80-150-300W	I
69812	Bronze Slipfitter wall/pole adapt. 80-150-300W	J
69820	Straight Arm 80-150-300W, Black	K
69811	Straight Arm 80-150-300W, Bronze	L
70571 ¹	External High Frequency sensor EFS06R.B1	M
69080	Remote control RM51	N
71024	20kV internal surge protector	O
70271	3pin photocell, Black	P
70272	7pin photocell, Black	Q
69818	Slipfitter 80-150-300W, Black	R
69809	Slipfitter 80-150-300W, Bronze	S



* Sold Separately.
¹ To change factory setting, purchase remote 69080 (sold separately).



SMART ACCESSORIES* G[®]

Order Code	Description	Figure
70000	Genio Bluetooth [®] Mesh External low voltage fixture controller, Black	A
70001	Outdoor arm extension, Black	B
70002	Genio Bluetooth [®] Mesh Outdoor PIR audio jack sensor, Black	C

* Order Separately.



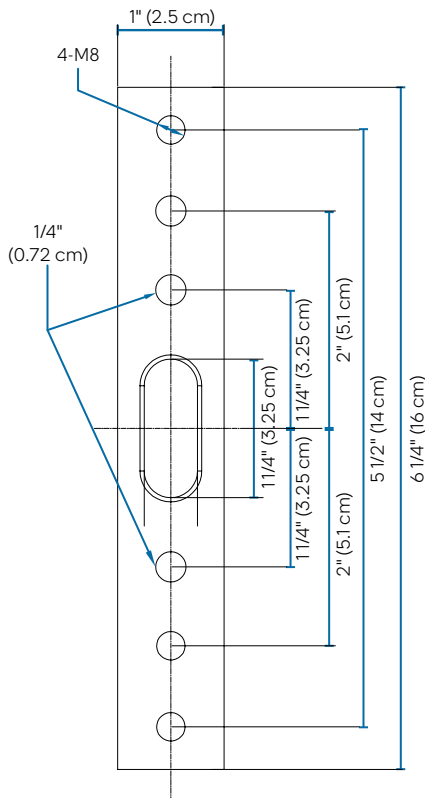
EPA



Lumen Package	Fixture position	Single fixture	2 fixtures at 90°	2 fixtures at 180°	3 fixtures at 90°	3 fixtures at 120°	4 fixtures at 90°
AIRA-PS80A AIRA-PS150A	with slipfitter Horizontal	1.130	1.470	2.260	2.390	2.390	2.390
	with slipfitter 45 degrees tilt	1.210	2.340	2.260	3.470	3.470	3.470
	with slipfitter Vertical	1.600	2.730	2.260	3.860	3.860	3.860
	with Slipfitter wall/pole adapt Horizontal	1.500	2.230	3.000	2.950	2.950	2.950
	with Slipfitter wall/pole adapt 45 degrees tilt	1.840	3.340	3.000	4.840	4.840	4.840
	with Slipfitter wall/pole adapt Vertical	2.050	3.550	3.000	5.050	5.050	5.050
	with straight arm Horizontal	1.500	2.230	3.000	2.950	2.950	2.950
	with straight arm 45 degrees tilt	1.840	3.340	3.000	4.840	4.840	4.840
with straight arm Vertical	2.050	3.550	3.000	5.050	5.050	5.050	
AIRA_PS300A	with slipfitter Horizontal	1.300	2.010	2.600	3.310	3.310	3.310
	with slipfitter 45 degrees tilt	2.300	3.600	2.600	4.900	4.900	4.900
	with slipfitter Vertical	2.800	4.100	2.800	5.400	5.400	5.400
	with universal mount Horizontal	1.780	2.660	3.560	3.540	3.540	3.540
	with universal mount 45 degrees tilt	2.600	4.380	3.560	6.160	6.160	6.160
	with universal mount Vertical	3.090	4.870	3.560	6.650	6.650	6.650
	with straight arm Horizontal	1.780	2.660	3.560	3.540	3.540	3.540
	with straight arm 45 degrees tilt	2.600	4.380	3.560	6.160	6.160	6.160
with straight arm Vertical	3.090	4.870	3.560	6.650	6.650	6.650	

DRILLING PATTERNS

Straight arm for square/round pole (69811, 69820)



Slipfitter and wall/pole mount adapter (69812, 69821)

