

Series Spec Sheet

SLBFN

WEATHER-PROOF BATTERY UNIT

The SLBFN series of NEMA4X and EEMAC4X rated weatherproof battery units is designed to operate in the most extreme environments. The fully gasketed, reinforced, non-metallic housing features a hinged cover that secures with durable screw locks. Supplied with wet location anti vandal heads designed to perform in extreme environments, they are completely protected from the elements within a fully gasketed polycarbonate housing.

FEATURES AND SPECIFICATIONS

• Circuitry

- 120/347 V AC or 277 V AC, 60Hz Input
- High efficiency, rapid recovery, precision control charging system
- Liquid-tight, momentary push button test switch
- Diagnostic/pilot LEDs for AC ON and CHARGE
- Fully automatic, current limiter charger
- Temperature compensated
- Large magnum terminal screw type connectors for remote load connection
- Brownout and short circuit protection
- Complete battery recharge in 24 hours
- Maintenance free, sealed lead acid battery which will provide the specified wattage for 30 minute duration
- Optional automatic-testing, self-diagnostic charger board

• Bluetooth Control

- Integrated Bluetooth technology allows for controllable features via the Stanpro Genio App
- Controllable features include:
 - Instantly view and control individual lights and emergency devices.
 - Easily group luminaires together and control them as a single unit.
 - Schedule functional and discharge tests at a chosen time
 - Generate, view and share reports seamlessly with just a few clicks.

• Mechanical

- Fully gasketed, reinforced, non-metallic housing will not corrode or rust from water exposure
- NEMA4X / EEMAC4X rated design
- 120 V AC line cord with liquid-tight strain relief supplied standard
- Grey finish standard
- Heads Polycarbonate enclosure is fully gasketed around lens to prevent water infiltration
- Wet location
- Lamps are fully adjustable
- Normal operating temperature +10°C to +25°C and -20°C to +25°C with the HTR option

• Approvals

- CSA 22.2 No.141-15 Performance Certified

• Compliances

- Meets requirements of ICES-005.



OVERVIEW

Light source	LED
Input voltage (V AC)	120/347, 277
Output voltage (V DC)	6, 12, 24
Output power (W)	72 - 720



ICES
005



TYPICAL SPECIFICATION



TYPICAL SPECIFICATION

Supply and install Stanpro SLBFN. The unit shall be rated 120 V, 277 V or 347 V, 60 Hz constructed of durable polycarbonate housing and be CSA listed to C22.2 141-15 Nema NEMA4X / EEMAC4X and be ICES 005 compliant. The unit shall have an output of: ___ V and ___ W and come complete with (2) x ___ W LED heads producing (___) lumens each. The charge voltage factory set to $\pm 1\%$ tolerance. High efficiency, rapid recovery, precision control charging system shall be employed to promote long battery life and reduce the potential for grid corrosion. The charger shall provide a continuous high charge to recharge the battery, when the battery is at full capacity, the charger will shut-off. Periodically the charger shall provide a pulse of energy to keep the battery at full voltage. The pulse charger shall be precisely regulated and shall charge the battery in relation to its temperature, state of charge and input voltage fluctuations. The charger shall be current limited, temperature compensated, short-circuit proof and reverse polarity protected. The unit shall be furnished with an electronic lockout circuit, which will connect the battery when the AC circuit is activated, and an electronic brownout circuit, which will activate the emergency lights when utility power dips below 75% of nominal voltage. A low voltage battery protection circuit shall be provided and will disconnect the load when the battery reaches the end of discharge. The Stanpro battery shall come complete with an auto diagnostic micro-controller board and shall supply the rated load for a minimum of a 1/2 hour to 87.5% of the rated battery voltage. The unit shall also feature integrated Bluetooth connectivity for monitoring and configuration of the system, allowing users to view system status and perform diagnostics via a mobile app. The Stanpro battery unit shall come complete with the Auto Test function. The automated testing performed by the Stanpro auto test system has been designed to comply with all of the requirements of the National Fire Code. Every month a 5 minute discharge and diagnostic test checks the operational status of the unit. Every 12 months, this test is extended to the full 30 minute, code required duration. This ensures that the battery charger is recharging the battery in accordance with code requirements. The unit shall be Stanpro model: SLBFN _____

Data is based upon tests performed in a controlled environment. Actual performance can vary depending on operating conditions. All products are subject to change or may be discontinued any time without notice. Please contact your Stanpro customer service representative to confirm inventory levels at time of order.

ORDERING GUIDE

Series	Voltage	Wattage	Head quantity	Lamp quantity	Lamp	Colour	Head Colour	Input Voltage	Options
SLBFN	06 - 6	072 - 72 100 - 100 160 - 160 180 - 180	00 - No heads 1R - One housing at the bottom 2R - Two housing on the side 3R - Two housing on the side and one at the bottom	1L - Single lamp assembly 2L - Double lamp assembly	4LR 5LA	GY - Grey	Blank - Black	Blank - 120/347 E - 277	A, ACTB, AT ¹ , AUD, AUE, DCTB, FD6, HTR ² , IRT, LD, OBM, RFS, TD, TLP, TP, V, BT (Bluetooth Genio option)
	12 - 12	072 - 72 100 - 100 160 - 160 200 - 200 250 - 250 360 - 360			4LR 5LA 6LA 7LA				
	24 - 24	144 - 144 200 - 200 320 - 320 350 - 350 550 - 550 720 - 720			4LR 5LA 6LA 7LA				

¹ Only available with AT and BT

² Specify AC voltage

MODEL RATINGS

Model	Volts (V)	Wattage capabilities (W)				Size
		30 min.	60 min.	90 min.	120 min.	
SLBFN06072	6	72	36	24	18	1
SLBFN06100		100	50	33	25	1
SLBFN06160		160	80	53	40	1
SLBFN06180		180	90	60	45	1
SLBFN12072	12	72	36	24	18	1
SLBFN12100		100	50	33	25	1
SLBFN12160		160	80	53	40	1
SLBFN12200		200	100	66	50	1
SLBFN12250		250	125	83	62	1
SLBFN12360		360	180	120	90	1
SLBFN24144	24	144	72	48	36	1
SLBFN24200		200	100	66	50	1
SLBFN24320		320	160	106	80	1
SLBFN24350		350	175	117	88	1
SLBFN24550		550	275	184	138	2
SLBFN24720		720	360	240	180	2

LUMEN TABLE

Watts	Lumens
4W LR	388
5W LA	435
6W LA	507
7W LA	652

LAMP SELECTION

MR16 Small head c/w MR16 or LED lamp	6 V	12 V	24 V
LED	4LR, 5LA	4LR, 5LA, 6LA, 7LA	4LR, 5LA, 6LA, 7LA

Data is based upon tests performed in a controlled environment. Actual performance can vary depending on operating conditions. All products are subject to change or may be discontinued any time without notice. Please contact your Stanpro customer service representative to confirm inventory levels at time of order.

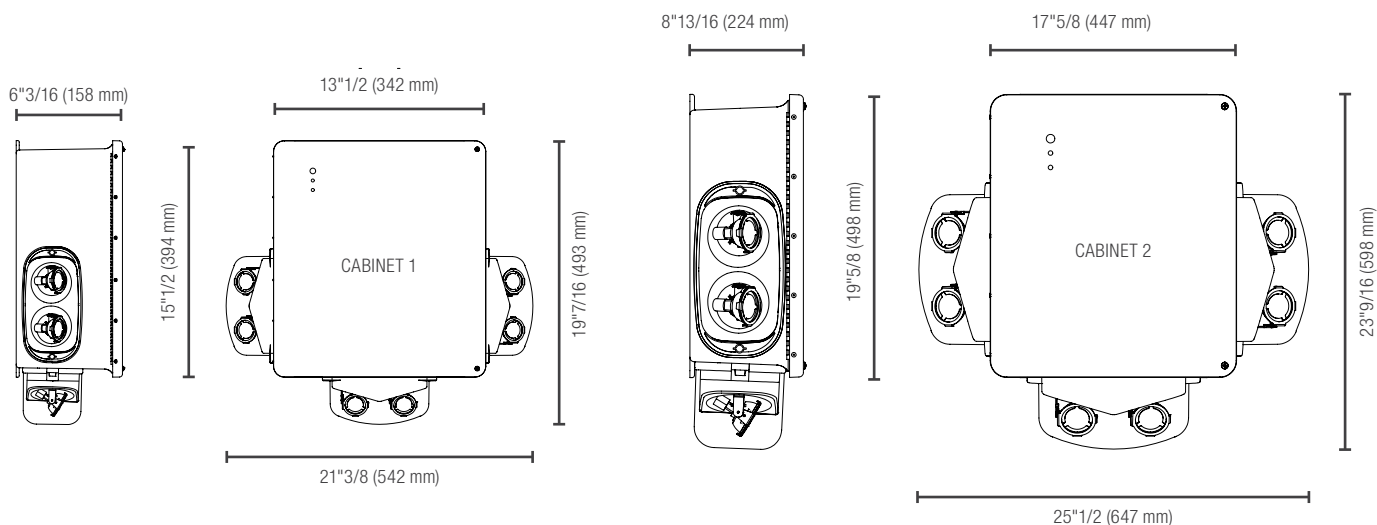
EMERGENCY LIGHTING OPTIONS

Option	Description
A	Ammeter (Internal)
ACTB	AC Terminal Block (line cord delete)
AT	Automatic test self-diagnostic
AUD	Audible alarm
AUE	Audible emergency
DCTB	DC Terminal Block
FD6	6 Circuit Fused Internal Distribution
HTR	Internal thermostatically controlled battery heater (specify voltage)
IRT	Infrared Remote Test
LD	Lamp disconnect (Internal)
OBM	Octagon Box Mount (line cord delete)
RFS	Radio frequency suppression
TD	Time delay
TLP	Twist Lock Plug
V	Voltmeter (Internal)

SMART OPTIONS 

Option	Description
BT	Genio Bluetooth

DIMENSIONS



SPACING GUIDE*

Mounting height	Spacing center to center (ft)			
	4LR	5LA	6LA	7LA
8 ft	76	81	94	108
10 ft	79	79	93	106
15 ft	66	62	82	96
20 ft	53	49	73	87

*Spacing is based on the 2R (Two housing on the side) -1L (Single lamp assembly) configuration. For all other spacing please contact factory.

Data is based upon tests performed in a controlled environment. Actual performance can vary depending on operating conditions. All products are subject to change or may be discontinued any time without notice. Please contact your Stanpro customer service representative to confirm inventory levels at time of order.