

## Series Spec Sheet

# PRMER

## RECESSED EDGELIT COMBO

Transform your interior space with the sleek and distinguished PRMER series of commercial edgELIT combo. Enjoy a refined aesthetic with the standard recessed mount, elevating the overall appearance.

### FEATURES AND SPECIFICATIONS

#### • Circuitry

- LED ultra bright light source
- 120-347 VAC
- 2x 1W high-output LED heads producing 260 lumens
- Maintenance free, 3.6V Ni-Cad battery
- 120 minutes emergency duration
- Damp location
- Operating temperature: +10°C to +40°C

#### • Mechanical

- Aluminum housing
- Universal faces
- Recessed mount only
- White colour is standard
- Fully adjustable, LED heads

#### • Specifications

- Trim and housing made of high grade aluminum
- Backbox made of galvanized steel
- All electronics and faceplate mounted to single chassis for rapid and simple installation
- Hanger bars for drywall ceilings or walls included. Maximum extension of 540 mm
- White powder coat finish standard
- Every unit come standard with multiple running man legends

#### • Approvals

- CSA Certified to C22.2 #141-15
- CSA Certified to C860-1

#### • Compliance

- Meets requirements of ICES-005



### OVERVIEW

Light source	LED
Input voltage (V AC)	120-347
Output power consumption (W)	3

## TYPICAL SPECIFICATION



## TYPICAL SPECIFICATION

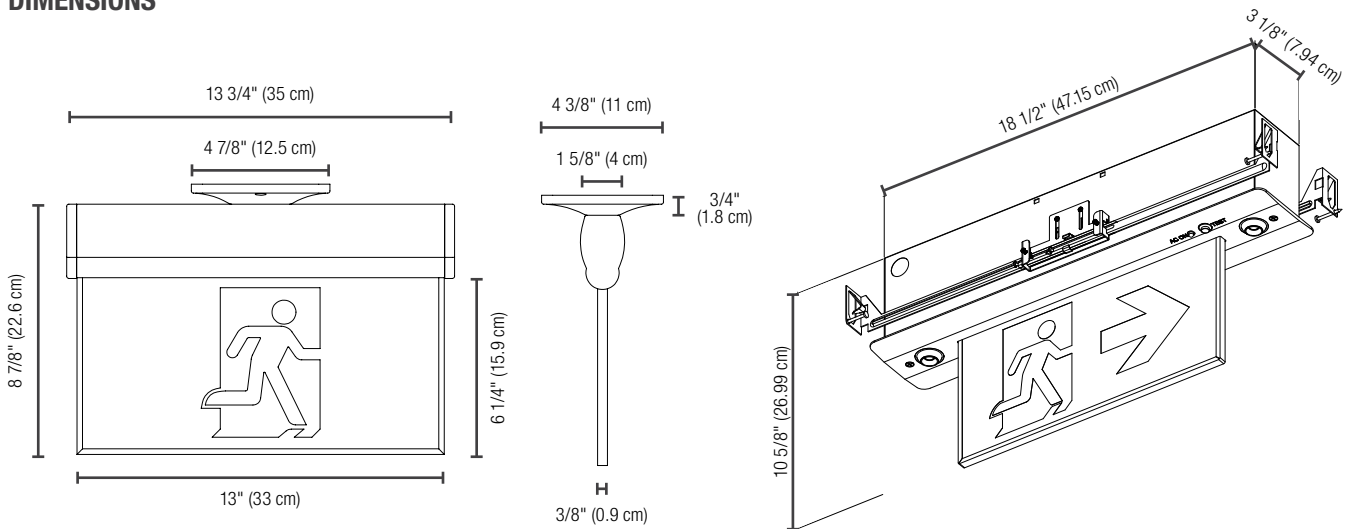
Supply and install Stanpro PRMER Series, The Running Man Edgelit Combination Exit Sign shall operate with AC/DC field selectable 120-347 V AC Input. The Self powered configuration shall be AC field selectable 120-347 V and consist of a long lasting Nickel-Cadmium battery and shall stay illuminated for a minimum of 120 minutes upon AC failure. The face shall be illuminated by using LED ultra-bright light source. The sign shall be suitable for recessed mount and come complete with 3 Running Man fibers for universal direction. The frame shall be extruded aluminum and come complete with an acrylic face plate for maximum uniformity. The Exit Running Man Combination Sign shall be CSA 22.2 No.141-15 certified, ICES 005 compliant and be Stanpro model number PRMER\_\_\_\_\_.

Data is based upon tests performed in a controlled environment. Actual performance can vary depending on operating conditions. All products are subject to change or may be discontinued any time without notice. Please contact your Stanpro customer service representative to confirm inventory levels at time of order.

**TECHNICAL SPECIFICATION TABLE**

Model number	Nbr of face	Light source	Input volts	Color
PRMER-1WWH	Universal	LED	120-347	White

**DIMENSIONS**



**SPACING GUIDE**

Mounting height	Spacing center to center (ft)
8	40
10	39
15	34
20	24

**CONFIGURATIONS**



Comes standard with three pictogram legends for direction selection.



For double face no arrow options, please order: FIBER-ES-ER-0

Data is based upon tests performed in a controlled environment. Actual performance can vary depending on operating conditions. All products are subject to change or may be discontinued any time without notice. Please contact your Stanpro customer service representative to confirm inventory levels at time of order.