

PROJECT:

DATE:

DISTRIBUTOR:

CATALOGUE #:

TYPE:

DRAWN BY:

CONTRACTOR:

PO:



STANPRO

SPEC SHEET

INTEGRATED BLUETOOTH® MESH TECHNOLOGY

FEATURES AND SPECIFICATIONS

CONSTRUCTION

Physical Characteristics

- Sleek two-part housing design with tool-less entry
- Safety cables placed between lens compartment and housing for easy installation and maintenance
- CCT and Power Selectable switches are placed discretely inside the housing
- 24 gauge semi-gloss white powder painted steel
- Frosted PMMA lens

Mounting

- Surface, suspended or row mounted (see accessories)
- V-Hooks and canopy plate for octagonal junction box are included

COMPLIANCES

- UL listed for Canada and USA for damp locations
- DLC Premium and Standard
- Meets requirements of ICES-005 issue 5

PERFORMANCE DATA

- Tunable white technology ranging from 3 000 K to 5 000 K
- Power selectable up to 45 W (4 ft) & 90 W (8 ft)
- 80+ CRI
- Electrical ratings: 120-347 V
- Estimated life of over 156 000 hours to L70
- Wireless Bluetooth® Dimming (1 %-100 %)
- Select models offered with integrated PIR motion sensor
- 2.5 kV surge protection
- Operating temperature: -20 °C to 50 °C (-4 °F to 122 °F)

BLUETOOTH® MESH CONTROL

- Integrated Bluetooth® Mesh technology allows for controllable features via the Stanpro Genio App or by using the smart wall switches (sold separately). Controllable features include:
 - Dimming
 - Tune to desired color temperature - Tunable White
 - Sensor programming (Motion and daylight harvesting)
 - Create groups, scenes, schedules and more



Not all products are qualified on the DLC QPL. To view our DLC qualified products, please consult the DLC Qualified Products. List at www.designlights.org/search.

QUICK SHIP AND TECHNICAL SPECIFICATION TABLE

Type	Order Code	Model Number	Watts (W)	Volts (V AC)	Color Temp. (K) ¹	Lumen Output (lm) ²	Efficacy (lm/W)	CRI	Life L70 (hrs) ³	Tested Hours LM-80 (hrs) ³	Dimming (Yes/No)	PF	THD (%)	Master Case QTY
With Integrated PIR Motion Sensor														
48"														
	69544	L2STX-48LP45-Q/TW-BTS	45	120-347	3 000-5 000	5 985	133	80+	156 000	10 000	Yes	0.9	10	6
96"														
	69706	L2STX-96LP90-Q/TW-BTS	90	120-347	3 000-5 000	12 420	138	80+	156 000	10 000	Yes	0.9	10	4
Without Integrated PIR Motion Sensor														
48"														
	69545	L2STX-48LP45-Q/TW-BT	45	120-347	3 000-5 000	5 985	133	80+	156 000	10 000	Yes	0.9	10	6
96"														
	69546	L2STX-96LP90-Q/TW-BT	90	120-347	3 000-5 000	12 420	138	80+	156 000	10 000	Yes	0.9	10	4

¹Typical color temperature range: +/- 5 %.

²Lumen values are derived from DLC reported data at 5 000 K. Please refer to the LUMEN SPECIFICATION TABLE for more details on other color temperatures.

³Life hours are derived from IESNA LM-80 testing report and projected per IESNA TM-21 extrapolations.

DLC UNIQUE ID TABLE

Order Code	Model Number	DLC Premium Unique ID		DLC Standard Unique ID	
		Stairwell	Linear Ambient	Low / High Bay	
69544	L2STX-48LP45-Q/TW-BTS	S-1IHQFC	S-0YUZ4C	S-9QLKRP	
69706	L2STX-96LP90-Q/TW-BTS	S-FSORTI	S-VBALNW	S-6LFDP6	
69545	L2STX-48LP45-Q/TW-BT	S-1IHQFC	S-0YUZ4C	S-9QLKRP	
69546	L2STX-96LP90-Q/TW-BT	S-FSORTI	S-VBALNW	S-6LFDP6	

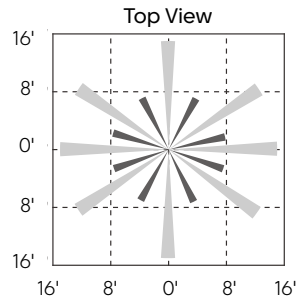
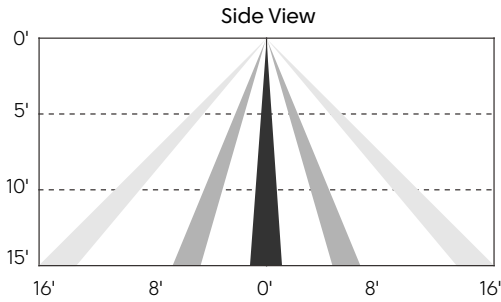
LUMEN SPECIFICATION TABLE

Order Code	Model Number	Watts (W)	3 000 K		3 500 K		4 000 K		5 000 K		Default Programming
			Lumen Output (lm)	Efficacy (lm/W)	Lumen Output (lm)	Efficacy (lm/W)	Lumen Output (lm)	Efficacy (lm/W)	Lumen Output (lm)	Efficacy (lm/W)	
69544	L2STX-48LP45-Q/TW-BTS	45	5 850	130	5 895	131	5 940	132	5 985	133	45 W / 5 000 K
69706	L2STX-96LP90-Q/TW-BTS	90	11 700	130	11 880	132	12 150	135	12 420	138	90 W / 5 000 K
69545	L2STX-48LP45-Q/TW-BT	45	5 850	130	5 895	131	5 940	132	5 985	133	45 W / 5 000 K
69546	L2STX-96LP90-Q/TW-BT	90	11 700	130	11 880	132	12 150	135	12 420	138	90 W / 5 000 K

SENSOR SETTINGS OPTIONS¹

Parameter	Settings Options
1st Time Delay	1 min - 59 min, ∞
2nd Time Delay	1 min - 59 min, ∞
Dim Level	1% - 100%

¹For detailed sensor programming and settings information, please refer to the Genio App Instruction Guide.



SENSOR MOUNTING AND DETECTION RANGE

Mounting Height	15 ft (4.6 m) Max.
Detection Range	32 ft (9.75 m) Max.

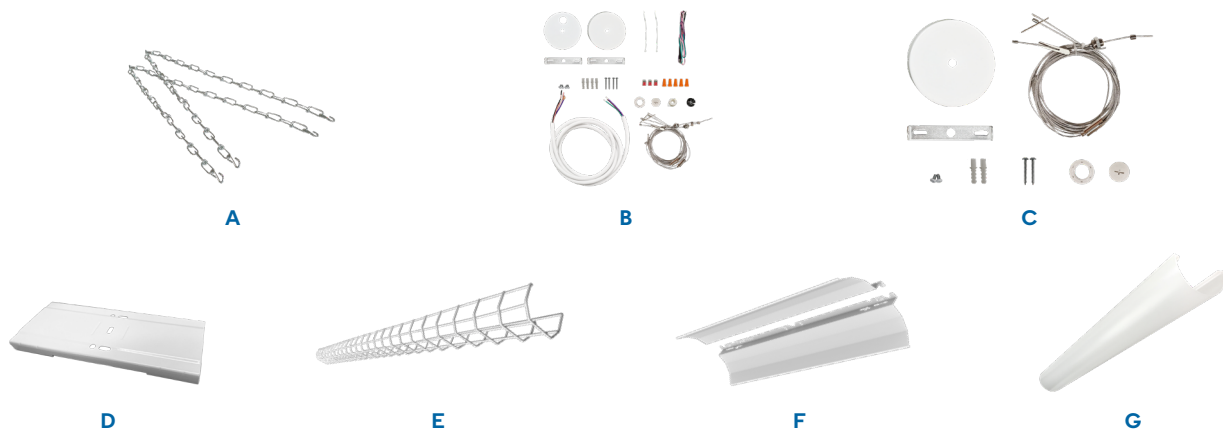
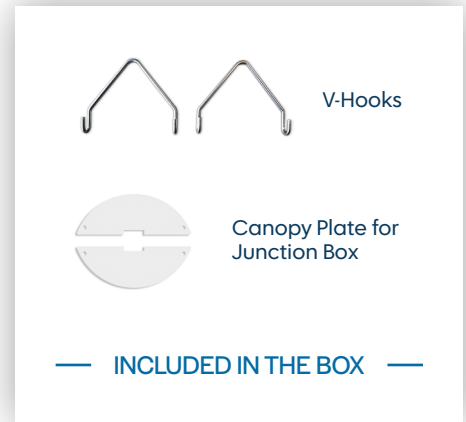
ACCESSORIES*

Order Code	Type	Figure
68676	Suspension kit - 2 chains (1 m)	A
70218	10' Complete aircraft cable kit with 5-wire power feed and 2 canopies	B
70282	10' Single side aircraft cable with canopy (non-power feed)	C
69405	Continuous row mounting connector	D
69413	Wire guard kit 48" ^{1,2}	E
70166	Reflector wings kit 48" ¹	F
69396	Replacement lens 48" (without sensor)	G
69624	Replacement lens 48" (with sensor)	G
69397	Replacement lens 96" (without sensor)	G
69707	Replacement lens 96" (with sensor)	G

* Order separately.

¹For 96" luminaires, order 2 units.

²When installed on the luminaires with integrated PIR motion sensor, the wire guard will reduce the sensor sensitivity.

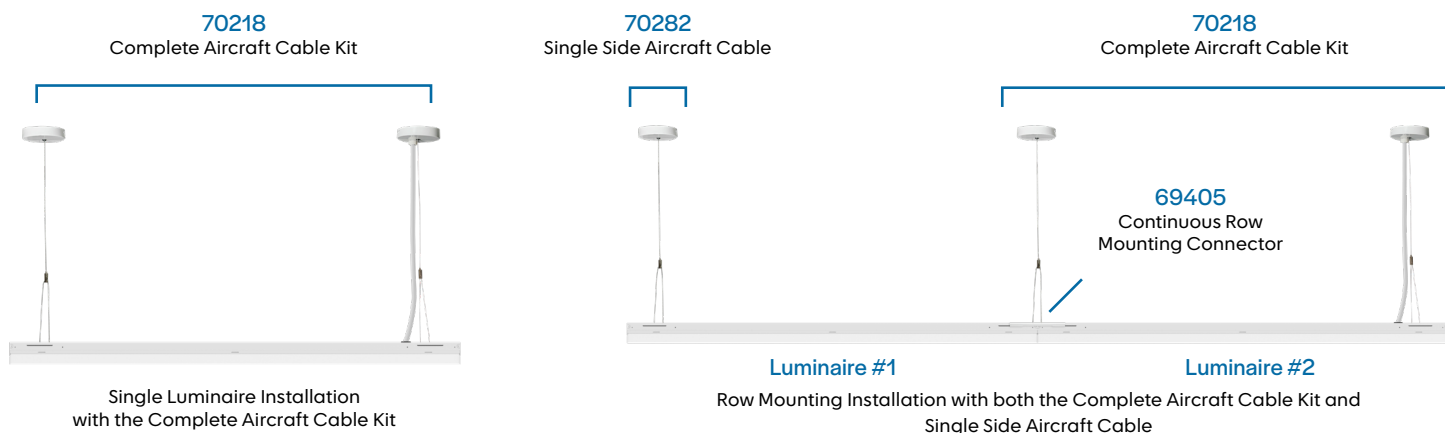


AIRCRAFT CABLE KITS

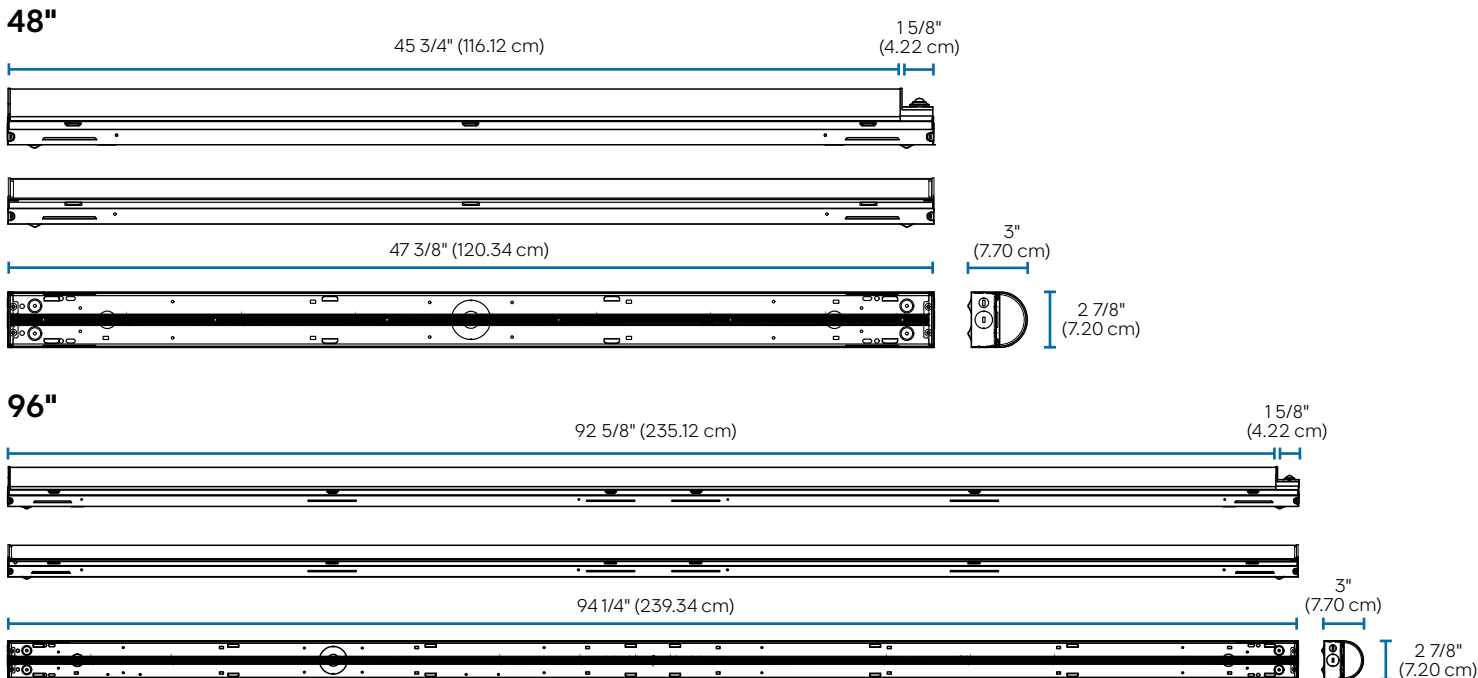
The aircraft cable kits combine both style and function for a finished look and are offered in two distinct versions.

The complete aircraft cable kit (70218) is an all-in-one solution that includes a set of two 10-foot aircraft cables, a 10-foot 5-wire power cord, two canopies and all necessary installation hardware.

The single side aircraft cable (70282) is primarily designed for row mounting applications when used with the complete aircraft cable kit, to allow for multiple luminaires to be powered by a single power feed and as support point when joining luminaires together. It may also be used solely for suspension when an alternative power feed is used such as an armoured cable. This kit includes a single 10-foot aircraft cable, one canopy and all necessary installation hardware.



DIMENSIONS AND WEIGHT



Size	Net Weight (lbs)
48"	4.4
96"	8.5

Genio Control System Features

Genio is Stanpro's smart brand of lighting and emergency lighting. Integrating the latest in Bluetooth® Mesh technology, Genio products allow for customizable features that can be adjusted at your fingertips using a smartphone or other compatible devices. This system is easy to use, versatile and futureproof! Please see below for some of the key features¹ of the Genio control system:



LIGHTS

Instantly control the color temperature, wattage, lumen output and dimming.



GROUPS

Easily group luminaires together and control them as a single unit.



SCENES

Customize your lighting through scenes and create different atmospheres for occasions and activities.



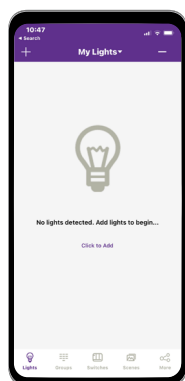
SCHEDULES

Set schedules to specify dates, times and recurrence patterns for changing the settings of your lighting.



SENSOR

Adjust the integrated PIR motion sensor and daylight harvesting settings.



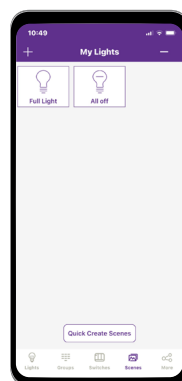
Lights

- Add
- Name or Rename
- Dimming and Color Tuning
- Delete
- Sensor Settings



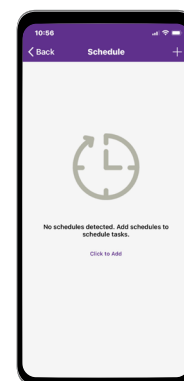
Groups

- Create
- Rename
- Delete
- Add or Remove Lights
- Adjust Group Linkage Level
- Turn On/Off
- Adjust Group Dimming
- Activate Auto Mode



Scenes

- Create
- Edit
- Delete



Schedules

- Creating
- Associate a Schedule To Lights, Groups, or Scenes
- Set a Repeating
- Set Fade Time
- Delete
- Enable Or Disable



Download on the
App Store

GET IT ON
Google Play



Download our App
Instruction Guide

¹Please note that the features mentioned are part of a broader range of characteristics relating to the Genio Ecosystem and may not be applicable to this specific product. Customers are advised to review the product specifications carefully to understand their capabilities.

The Bluetooth® word mark and logos are owned by the Bluetooth SIG, Inc. and any use of such marks by Ascot Capital Group is under license. Other trademarks and trade names are those of their respective owners.