

*Series Spec Sheet*

# IFG CHOICE

## UNDER CANOPY AND GARAGE LIGHT 3 Power Selectable and 3 CCT Selectable, Smart Ready

The IFG is an efficient under canopy and garage light. Equipped with the latest in LED technology, this luminaire allows the user to control the color temperature and power via internal field adjustable switch. Its slim construction easily installs on junction boxes and its high quality thermal heat sinks dissipate the LED heat and ensure reliable long life. This series comes smart ready with its pre-installed sensor receptacle which makes it a great addition to any commercial or industrial application.

### FEATURES AND SPECIFICATIONS

**• Construction**

**Physical Characteristics**

- This luminaire is made of aluminum die cast and comes in a bronze or white powder coat finishes
- Frosted polycarbonate lens
- Power and CCT switches placed discretely inside the housing
- Integrated sensor receptacle makes for easy plug-and-play installation of smart and non-smart sensors. No wiring required. Sensors are sold separately, see accessories table
- Includes three 1/2" side conduit entries, one of which is used for the built-in photocell and another is used for quick access to the CCT and adjustable power switch

**Mounting**

- 3-in-1 mounting solution (surface, pendant and conduit)

**• Performance data**

- Available in 3 000/4 000/5 000 K selectable color temperature
- 80+ CRI
- Electrical ratings: 120-347 V
- Estimated life of over 50 000 hours to L70
- 0-10 V dimming standard
- Operating temperature: -40 °C to 40 °C (-40 °F to 104 °F)

**• Compliances**

- cULus listed for wet locations
- Meets requirements of ICES-005 issue 5 class B for use in residential applications
- IP65
- IK10

### OVERVIEW

Light source	LED
Watts (W)	40/60/70
Lumen output (lm)	5 636-9 745
Efficiency (lm/W)	134-146
Color temperature (K)	3 000/4 000/5 000
CRI	80+



Not all products are qualified on the DLC QPL. To view our DLC qualified products, please consult the DLC Qualified Products List at [www.designlights.org/search](http://www.designlights.org/search).

**QUICK SHIP AND TECHNICAL SPECIFICATION TABLE**

Order code	Model number	Watts (W)	Volts (V AC)	Color temp. (K) <sup>1</sup>	Lumen output (lm) <sup>2</sup>	Efficacy (lm/W)	CRI	Life L70 (hrs) <sup>3</sup>	Tested hours LM-80 (hrs) <sup>3</sup>	Calculated TM21 (hrs) <sup>3</sup>	LED Current (mA)	Finish	Dimming (Yes/No)	Power factor	THD (%)	BUG	Traditional equivalent (W) MH	HPS	Master case qty
------------	--------------	-----------	--------------	------------------------------	--------------------------------	-----------------	-----	-----------------------------	---------------------------------------	------------------------------------	------------------	--------	------------------	--------------	---------	-----	-------------------------------	-----	-----------------

**CCT and Power Selectable with Integrated Photocell<sup>4</sup>**

70242	IFG-PS70A-Q-3CBRP/CHOICE	40/60/70	120-347	3 000/4 000/5 000	5 798/8 378/9 745	141-146	80+	54 000	9 000	180 000	580-590	Bronze	Yes	>0.9	<20%	B3-U3-G2	100-175	100-175	4
70243	IFG-PS70A-Q-3CWHP/CHOICE	40/60/70	120-347	3 000/4 000/5 000	5 798/8 378/9 745	141-146	80+	54 000	9 000	180 000	580-590	White	Yes	>0.9	<20%	B3-U3-G2	100-175	100-175	4

<sup>1</sup> Typical color temperature range: +/- 5 %.

<sup>2</sup> Lumen values are derived from DLC reported data at 3 000 K. Please refer to the LUMEN SPECIFICATION TABLE for more details on other color temperatures.

<sup>3</sup> Life hours are derived from IESNA LM-80 testing report and projected per IESNA TM-21 extrapolations.

<sup>4</sup> Integrated photocell that can be easily enabled.

**LUMEN SPECIFICATION TABLE**

Order code	Model number	Watts (W)	3 000 K			4 000 K			5 000 K		
			Lumen output (lm)	Efficacy (lm/W)	LED Current (mA)	Lumen output (lm)	Efficacy (lm/W)	LED Current (mA)	Lumen output (lm)	Efficacy (lm/W)	LED Current (mA)
70242	IFG-PS70A-Q-3CBRP/CHOICE	40	5 636	139	340	5 798	146	330	5 746	142	340
70243	IFG-PS70A-Q-3CWHP/CHOICE	60	8 037	136	490	8 378	144	490	8 213	138	500
		70	9 455	134	590	9 745	141	580	9 589	137	590

**DEFAULT PROGRAMMING**

70242: 70 W / 4 000 K

70243: 70 W / 4 000 K

**DLC UNIQUE ID TABLE**

Order code	Model Number	DLC Premium Unique ID <sup>1</sup>
70242	IFG-PS70A-Q-3CBRP/CHOICE	S-4WRSLO
70243	IFG-PS70A-Q-3CWHP/CHOICE	S-4WRSLO

<sup>1</sup> Primary Use Designation: Parking Garage Luminaires.

**ACCESSORIES (sold separately)**

Order code	Type
70571 <sup>1</sup>	External High Frequency sensor EFS06R.B1
69080	Remote control RM51

<sup>1</sup> To change the factory setting, purchase remote 69080 (sold separately).

**SMART ACCESSORIES (sold separately)**

Order code	Type
70274 <sup>1</sup>	Genio Bluetooth® Mesh External Low Voltage Fixture Controller White
70276	Genio Bluetooth® Mesh External PIR sensor OSI-PIR106-W-WH

<sup>1</sup> Compatible with scheduling only.



Data is based upon tests performed in a controlled environment. Actual performance can vary depending on operating conditions. All products are subject to change or may be discontinued any time without notice. Please contact your Stanpro customer service representative to confirm inventory levels at time of order.

**OCCUPANCY SENSORS**

**BI-LEVEL SENSORS**

Detection - On at (Detection Area) % during (Hold Time) min., then (Stand-by Dim level) %

Part Number	Position	Volt (V)	Technology	Height (Ft)	Detection Area (%)	Initial Brightness (%)	Sensitivity (%)	Hold Time (Min)	Stand-By Dim Level (%)	Stand-By Period (Min)	Remote	Location (°C)
70571	External	120-347 (12 V DC)	High Frequency	40 (max)	100	50, 75, 100	0 (Off), 50 (Low), 100 (High)	30s, 5min, 15min, 30min	0, 10, 30, 50	infinite	69080	Dry and Wet, -30 to +40
70276	External	120-347 (12 V DC)	Bluetooth & PIR	40 (max)	100	See App Instructions	See App Instructions	See App Instructions	See App Instructions	See App Instructions	N/A	Dry and Damp, -30 to +40

Default settings: Brightness: 100%, hold time: 5min, stand-by dim: 50%, stand-by time: 30min, photocell: off, sensitivity: 100%

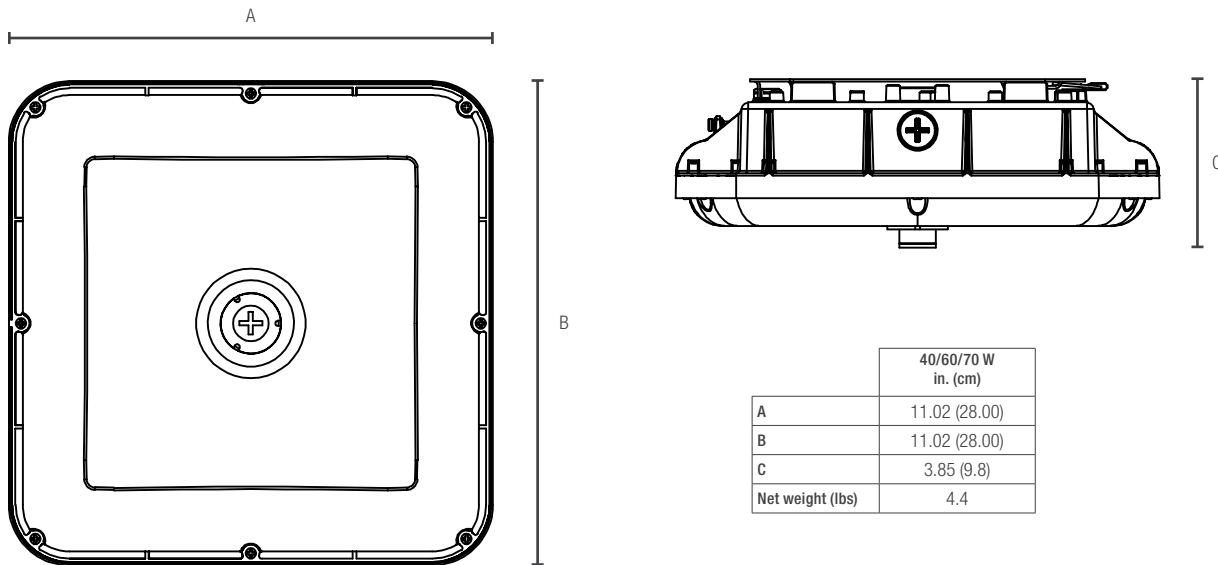
**TRI-LEVEL SENSORS**

Detection - On at (Detection Area) % during (Hold Time) min., then (Stand-by Dim level) % during (Stand-by time) min, then OFF

Part Number	Position	Volt (V)	Technology	Height (Ft)	Detection Area (%)	Initial Brightness (%)	Sensitivity (%)	Hold Time (Min)	Stand-By Dim Level (%)	Stand-By Period (Min)	Remote	Location (°C)
70571	External	120-347 (12 V DC)	High Frequency	40 (max)	100	50, 75, 100	0 (Off), 50 (Low), 100 (High)	30s, 5min, 15min, 30min	0, 10, 30, 50	10s, 5min, 15min, 30min, 60min	69080	Dry and Wet, -30 to +40
70276	External	120-347 (12 V DC)	Bluetooth & PIR	40 (max)	100	See App Instructions	See App Instructions	See App Instructions	See App Instructions	See App Instructions	N/A	Dry and Damp, -30 to +40

Default settings: Brightness: 100%, hold time: 5min, stand-by dim: 50%, stand-by time: 30min, photocell: off, sensitivity: 100%

**DIMENSIONS AND WEIGHTS**

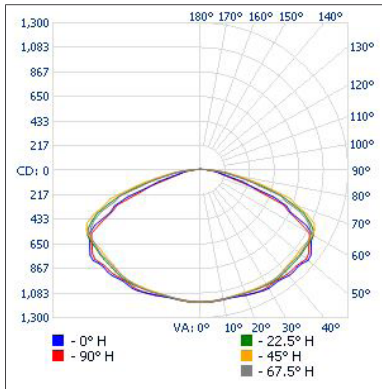


Data is based upon tests performed in a controlled environment. Actual performance can vary depending on operating conditions. All products are subject to change or may be discontinued any time without notice. Please contact your Stanpro customer service representative to confirm inventory levels at time of order.

**PHOTOMETRIC DATA<sup>1</sup>**

**IFG-PS70A-Q-3CXXP/CHOICE • 40 W • 4 000 K • 5 593 lm**

**Polar candela distribution**



**Zonal lumen summary**

Zone	Lumens	% Fixture
0-30	975.7	17.4
0-40	1 710.2	30.6
0-60	3 640.3	65.1
60-90	1 792.8	32.1
70-100	870.2	15.6
90-120	120.1	2.1
0-90	5 433.1	97.1
90-180	159.8	2.9
0-180	5 592.9	100

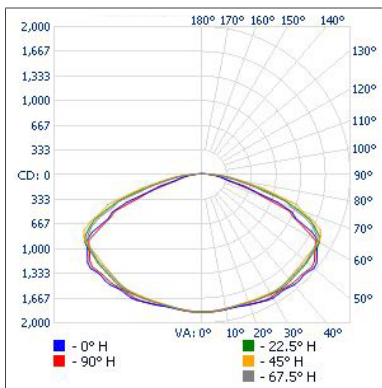
**Illuminance at a distance**

Center beam fc		Beam width	
8.3'	649	4.2'	7.9'
16.7'	172	8.1'	15.4'
25.0'	75.1	12.3'	23.3'
33.3'	41.8	16.5'	31.2'
41.7'	27.2	20.5'	38.6'
50.0'	18.8	24.7'	46.6'

■ Vert. spread: 101.9°  
■ Horiz. spread: 133.5°

**IFG-PS70A-Q-3CXXP/CHOICE • 60 W • 4 000 K • 8 916 lm**

**Polar candela distribution**



**Zonal lumen summary**

Zone	Lumens	% Fixture
0-30	1 554.4	17.4
0-40	2 727.0	30.6
0-60	5 804.7	65.1
60-90	2 857.3	32
70-100	1 384.6	15.5
90-120	191.2	2.1
0-90	8 662.0	97.1
90-180	254.7	2.9
0-180	8 916.7	100

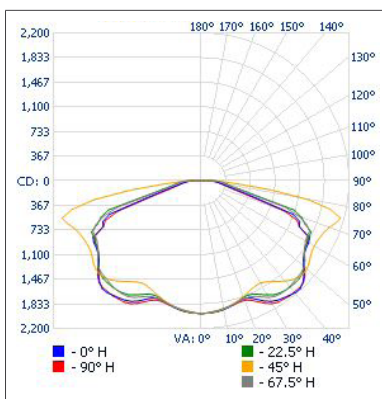
**Illuminance at a distance**

Center beam fc		Beam width	
8.3'	26.9	47.5'	34.3'
16.7'	6.65	95.5'	69.0'
25.0'	2.97	143.0'	103.3'
33.3'	1.67	190.5'	137.6'
41.7'	1.07	238.5'	172.4'
50.0'	0.74	286.0'	206.7'

■ Vert. spread: 141.5°  
■ Horiz. spread: 128.4°

**IFG-PS70A-Q-3CXXP/CHOICE • 70 W • 4 000 K • 9 744 lm**

**Polar candela distribution**



**Zonal lumen summary**

Zone	Lumens	% Fixture
0-30	1 597.6	16.4
0-40	2 863.6	29.4
0-60	6 170.1	63.3
60-90	3 394.1	34.8
70-100	1 737.5	17.8
90-120	152.3	1.6
0-90	9 564.2	98.2
90-180	180.1	1.8
0-180	9 744.3	100

**Illuminance at a distance**

Center beam fc		Beam width	
8.3'	28.7	49.7'	38.0'
16.7'	7.08	100.0'	76.4'
25.0'	3.16	149.8'	114.4'
33.3'	1.78	199.5'	152.3'
41.7'	1.14	249.8'	190.8'
50.0'	0.79	299.5'	228.7'

■ Vert. spread: 143.1°  
■ Horiz. spread: 132.8°

<sup>1</sup> Complete IES files available on our website.

Data is based upon tests performed in a controlled environment. Actual performance can vary depending on operating conditions. All products are subject to change or may be discontinued any time without notice. Please contact your Stanpro customer service representative to confirm inventory levels at time of order.