

PROJECT:  
 DISTRIBUTOR:  
 DRAWN BY:

CATALOGUE #:  
 CONTRACTOR:

DATE:  
 TYPE:  
 PO:



**STANPRO**

SPEC SHEET

**NEMA 4X LED**

**FEATURES AND SPECIFICATIONS**

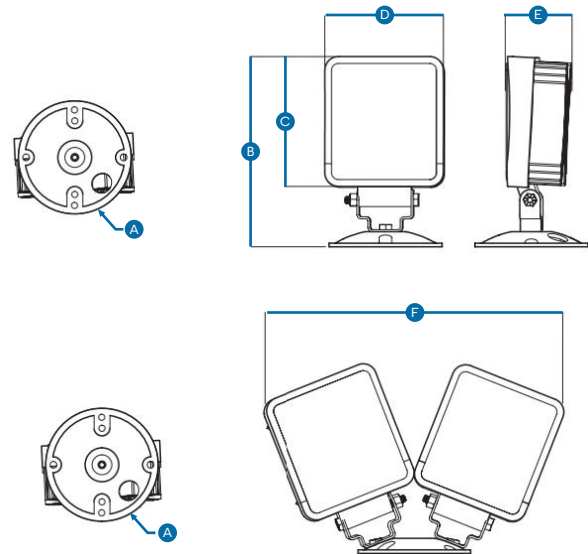
**MECHANICAL**

- Die cast, solid aluminum housing
- Impact resistant acrylic lens
- Stainless steel mounting hardware
- Fully gasketed for protection against wet and dust-filled environments
- LED lamps available in 12 to 24VDC
- Suitable for installation both indoors and outdoors
- White color is standard, black is optional
- Temperature: -35°C to +25°C

**COMPLIANCES**

- CSA Certified to C22.2 #141-15
- Meets requirements of ICES-005

**TECHNICAL DRAWINGS**



A	B	C	D	E	F
4" (10.16 cm)	7" (17.78 cm)	4 3/4" (12.07 cm)	4 1/4" (10.80 cm)	2 1/2" (6.35 cm)	11" (27.94 cm)

\* Please refer to the product web page to view detailed drawings by size.



## TYPICAL SPECIFICATION

Remote head shall be Die cast, solid aluminum housing, fully adjustable for maximum spacing both tilt and swivel, fully gasketed for protection against wet and dust-filled environments and be ( ) V, ( ) W, ( ) lumens. The LED's, lens and circuit boards shall be fully integrated in the molded shell to ensure extended life and maximum performance. Fixture shall be supplied with a canopy for installation on any four-inch octagon box. The remote fixtures shall be certified to CSA 22.2 No.141-15, NEMA4X rated and be ICES005 compliant.

The remote unit shall be Stanpro model: I \_\_\_\_\_.

## ORDERING GUIDE

I		12-24V		LJ		/
Series	Number of Heads	Volts (VDC Operational)	Watts (W)	Lamp Type	Color	Options
I	1 Single head 2 Double head	12-24V 12 to 24	5W 5 9W 9 14W 14 30W 30	LJ LED array	WH White (standard) BK Black	LCP Less Canopy TP Tamperproof screw

## PHOTOMETRY PERFORMANCE

LED		Lumen Output (lm)	Efficiency (lm/W)
5W	LJ	630	126
9W	LJ	1100	122
14W	LJ	1460	104
30W	LJ	2578	85

## SPACING GUIDE

Mounting Height	Spacing Centre to Centre (feet)			
	5 W	9 W	14 W	30 W
8 ft	113	165	199	250
10 ft	110	160	194	260
15 ft	99	147	178	239
20 ft	86	133	164	223