

PROJECT:

DATE:

DISTRIBUTOR:

CATALOGUE #:

TYPE:

DRAWN BY:

CONTRACTOR:

PO:



# AR6

## ARCHITECTURAL LED DOWNLIGHT 6"

# STANPRO

## SPEC SHEET

## FEATURES AND SPECIFICATIONS

### CONSTRUCTION

#### Finishing

- Smooth baffle and trim finish available in silver haze, matte white and matte black
- Lenses are available in clear or frosted and are constructed with glass material

#### Mounting

- 6 1/2" - 6 5/8" cutting hole
- Non-IC frame-in kit and remodeler installation options
- Housing constructed of heavy duty galvanized steel with built-in thermal protection

#### Optics

- High quality optic and reflector design
- Spot (15° to 21.5°)
- Narrow Flood (24° to 40.5°)
- Flood (38° to 44.2°)
- Wide (60° to 65°)

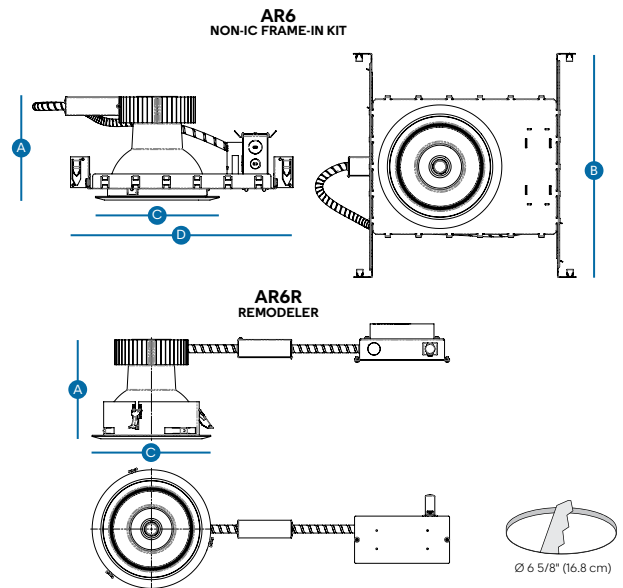
### TECHNICAL SPECIFICATION

- 19 W to 51 W, 120 V or 347 V
- 0-10 V dimming standard
- LED chip binning 2-3 step MacAdam Ellipse to ensure color consistency
- Color temperature 3 000, 3 500 and 4 000 K
- Estimated lifespan of 36 000 hours to L70
- Operating temperature: - 40°C to 25°C (-40°F to 77°F)

### GENERAL LIGHTING COMPLIANCES

- cCSAus rated for wet location
- Meets requirements of ICES-005
- Air-tight as per ASTM-E283 standard

## TECHNICAL DRAWINGS



Type	A	B	C	D
<b>AR6</b> Non-IC Frame-in Kit	6 5/8" (16.90 cm)	14" MIN (35.40 cm) 24 1/8" MAX (61.40 cm)	Ø 7 3/8" (18.80 cm)	14 1/4" (36.20 cm)
<b>AR6R</b> Remodeler	6 5/8" (16.86 cm)	-	Ø 7 3/8" (18.80 cm)	-

\* Please refer to the product web page to view detailed drawings by size.



5 YEARS  
WARRANTY



ICES  
005



C US

## ORDERING GUIDE - TRIMS

AR6	Lumen Package (lm) <sup>1</sup>	80	Baffle Finish	Lens Finish	Color Temp. (K) <sup>2</sup>	Beam Angles (°)
Series		CRI <sup>2</sup>				
AR6	18 1 800	80 80+	HZ Silver haze W Matte white B Matte black	C Clear lens <sup>3</sup> F Frosted lens <sup>4</sup>	30 K 3 000 35 K 3 500 40 K 4 000	S Spot <sup>5</sup> N Narrow flood F Flood W Wide
	25 2 500					
	34 3 400					
	50 5 000					

<sup>1</sup>Lumen packages based on photometry testing with frosted lens

<sup>2</sup>For more options, please consult factory.

<sup>3</sup>Lumen increase of 10% to be expected.

<sup>4</sup>F - Frosted lens is not available with the S - Spot beam angle.

<sup>5</sup>S - Spot beam angle is not available with lumen packages 50 - 5000.

## ORDERING GUIDE - HOUSINGS

Series	Lumen Package (lm)	Voltage (V AC)
AR6 Non IC AR6R Remodeler	18 1 800 25 2 500 34 3 400 50 5 000	A 120 H 347

## LUMEN SPECIFICATION TABLE

Lumen Package	Watts (W)	Volts (V AC)	3 000 K		3 500 K		4 000 K		CRI	Life L70 (hrs)	Beam Angle (°)	Lens Finish	Power Factor	THD (%)
			Lumen (lm)	Efficacy (lm/W)	Lumen (lm)	Efficacy (lm/W)	Lumen (lm)	Efficacy (lm/W)						
18	19	120	1 964	103	2 027	107	2 039	107	80+	36 000	24	Clear	>0.9	<20
25	23	120	2 396	104	2 472	107	2 487	108	80+	36 000	24	Clear	>0.9	<20
34	34	120	3 414	100	3 523	104	3 543	104	80+	36 000	24	Clear	>0.9	<20
50	51	120	5 088	100	5 251	103	5 281	104	80+	36 000	24	Clear	>0.9	<20

## COMPATIBLE DIMMERS

Brand	Model Number <sup>1</sup>
Legrand	CD4FBW, WS4FBL3P
Leviton	IP710-DLZ, IP710DLX, CFCS, DS710
Lutron	NOVA NFTV, NOVA T NTSTV, DIVA DVTV, DVSCV
Wattstopper	ADF-120277

Dimming range : 1%-100 %

<sup>1</sup>0-10 V dimmers.

NOTE: The above table shows dimmers that have been tested and have demonstrated proper operation under normal conditions. Each installation being unique, various factors such as load, common neutrals or other electrical products on the circuit can, in certain instances, cause variance in system performance. Read and comply to the dimmer installation instructions. Consult dimming system manufacturer for additional support in operation. Stanpro recommends to use dimmers designed to work with LED products. Older dimmers designed for incandescent products may cause erratic operation. Some dimmers may require more than one product for stable operation. The maximum number of products is determined by the dimmer wattage rating with LEDs. Be careful, these dimmers have different ratings depending on the product type. Again, refer to the dimmer installation instructions.