



# INDOOR LUMINAIRES QUICK SHIP



**STANPRO**





## 4 DOWNLIGHT

LED Retro 5 CCT Selectable / LED LPDL™ / LED LPDL™ CCT Selectable / LED LPDL™ CCT Selectable Gen. 2 / LED LPDL™ Regressed / Stellar / CIELO / VIVIO / LED Gimbal / LED Gimbal High Output / COMETO Fire-rated / ARCHI / Universal Commercial - CDU Gen 2 / LED Veloce™ / LED Lumeina™

## 26 LED CEILING

Traditional CCT Selectable / Single Ring CCT and Power Selectable / Double Ring CCT and Power Selectable / DRUM / Cirka CCT Selectable / EDGELIT / MOON / Ceiling Disk Light / Tri-Level Motion Sensor / LED Motion Sensor EDGELIT / LED Motion Sensor Disk Light

## 39 TRACK SYSTEMS

BLOOM / TLL / Traditional Track Heads

## 45 LED RECESSED COMMERCIAL LUMINAIRE

Frame Light / Panel / Center Basket

## 52 LED LINEAR

LED Suspended / T-grid / Strip / Slim Strip / Tri-Level Motion Sensor Strip / Cube / Wraparound / Vapor Tight

## 69 LED HIGH BAY

Round Economic and High Performing Luminaire / Linear Economic and High Performing High Bay / LED Eco

# LED Retro 5 CCT Selectable

This Retro LED downlight offers a simple and economical retrofit solution for all traditional recessed applications. Easy installed with a quick connects wire and the E26 socket adaptor, this LED downlight is ideal for retrofitting into most of traditional 4" and 5"-6" housings, it will be installed in no time. The color temperature can be changed at any time with a simple switch installed on the side of the LED fixture.

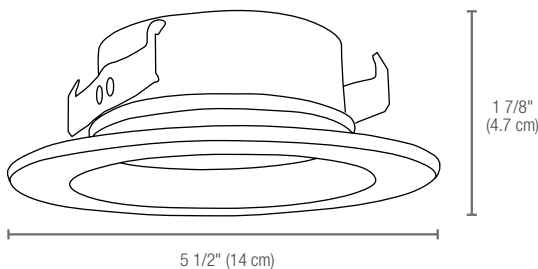


4"

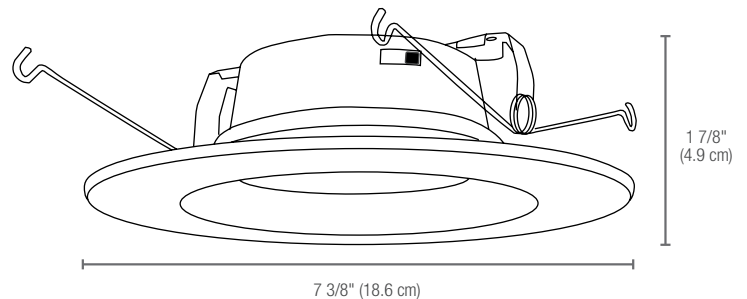


6"

Order code	Model number	Watts (W)	Volts (VAC)	Color temp. (K)	Lumen output (lm)	Efficacy (lm/W)	CRI	Life L70 (hrs)	Beam angle (°)	Finish	Power factor	Case qty (master)
<b>4" Round</b>												
70399	RDL4R-G2-10A-5CWH	10	120	2 700/3 000/3 500/4 000/5 000	720	82	90+	50 000	110	White	>0.9	32
<b>6" Round</b>												
70400	RDL6R-G2-15A-5CWH	15	120	2 700/3 000/3 500/4 000/5 000	1 250	83	90+	50 000	110	White	>0.9	32



4"



6"

Lumen values are derived from Energy Star reported data. For a complete list of compatible dimmers and ENERGY STAR qualified products, please visit [www.standardpro.com](http://www.standardpro.com)

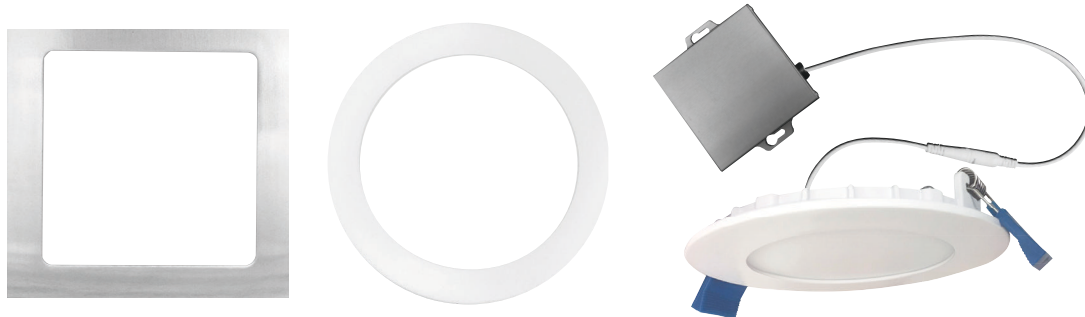
<sup>1</sup> 6" Retro downlight can be adjusted and installed in 5" or 6" traditional housings  
<sup>2</sup> This product complies with UL1598C standard for LED luminaire Retrofit kits





# LED LPDL™

LPDL™ (Low Profile Downlight) gives you all the flexibility you need during installation, especially in confined areas or when facing constraints such as wood beams, ceiling joist or air ducts. The driver is mounted separately from the light source which allows the luminaire profile to be less than 1" thick!



(Meets UL standard for branch connection)

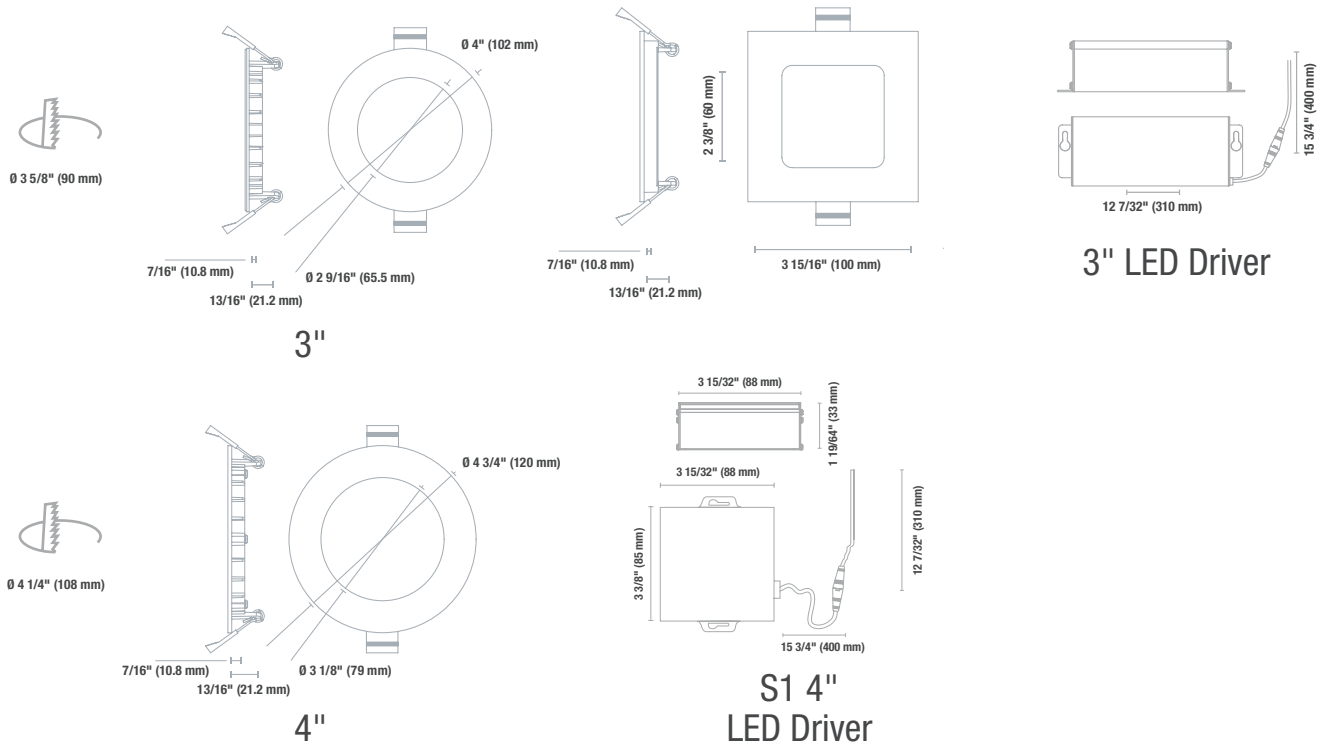
## S1 - Small junction box

Order code	Model number	Watts (W)	Volts (VAC)	Color temp. (K)	Lumen output (lm)	CRI	Life L70 (hrs)	Beam angle (°)	Finish	Traditional equivalent (W)	Case qty (master)
<b>3" Round</b>											
65853	LPDL3/RND/7W/40K/WH/STD	7	120	4 000	500	80	50 000	110	White	50	24
<b>3" Round Warm-Dim</b>											
65859	LPDL3/RND/7W/30-22K/BNW-DIM/STD	7	120	3 000-2 200	400	80	50 000	110	Brushed nickel	50	24
<b>3" Square</b>											
65855	LPDL3/SQR/7W/30K/WH/STD	7	120	3 000	430	80	50 000	110	White	50	24
65856	LPDL3/SQR/7W/30K/BN/STD	7	120	3 000	430	80	50 000	110	Brushed nickel	50	24
65857	LPDL3/SQR/7W/40K/WH/STD	7	120	4 000	450	80	50 000	110	White	50	24
<b>4" Round</b>											
63879	LPDL4/RND/9W/27K/WH/STD	9	120	2 700	520	80	50 000	120	White	50	24
63884	LPDL4/RND/9W/30K/BN/STD	9	120	3 000	550	80	50 000	120	Brushed nickel	50	24

Lumen values are derived from Energy Star reported data. For a complete list of compatible dimmers and ENERGY STAR qualified products, please visit [www.standardpro.com](http://www.standardpro.com)

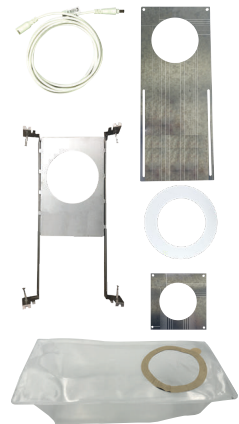


## Dimensions



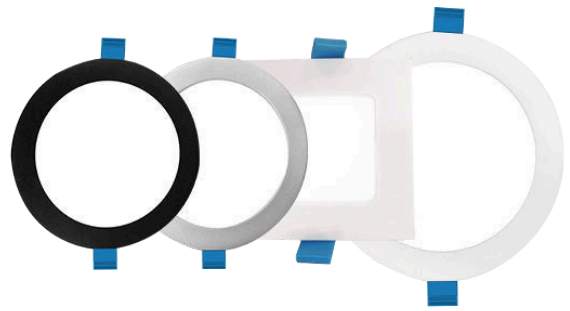
## Accessories

Order code	Model number	Type	Inner diameter (in)	Outer diameter (in)	Master case qty
66820 <sup>1</sup>	ACC/MPLATE/3.625IN/HANG.BARS/STD	Mounting plate with hanger bars	3 5/8"	-	25
66056	ACC/MPLATE/3.625IN/ADJ/STD	Adjustable mounting plate	3 5/8"	-	96
66049	ACC/MPLATE/3.625IN/SQR/STD	Square mounting plate	3 5/8"	-	96
66142	ACC/3/VAPOR BARRIER/STD	Vapor barrier extender	3 5/8"	-	50
6682 <sup>1</sup>	ACC/MPLATE/4.25IN/HANG.BARS/STD	Mounting plate with hanger bars	4 1/4"	-	25
66058	ACC/MPLATE/4.25IN/ADJ/STD	Adjustable mounting plate	4 1/4"	-	24
66051	ACC/MPLATE/4.25IN/SQR/STD	Square mounting plate	4 1/4"	-	96
66143	ACC/4/VAPOR BARRIER/STD	Vapor barrier extender	4 1/4"	-	50
68986 <sup>2</sup>	GOOF RING-4.25IN	Goof rings	4 1/4"	6 1/2"	120
64264 <sup>3</sup>	LPDL/ACC/6FT/EXTCABLE/STD	6' extension cord	-	-	96
66964	LPDL/ACC/6FT/EXTCABLE/FT6/STD	6' FT6 Extension cord	-	-	96



Lumen values are derived from Energy Star reported data  
 For a complete list of compatible dimmers and ENERGY STAR qualified products, please visit [www.standardpro.com](http://www.standardpro.com)  
<sup>1</sup> Includes brackets and screws.  
<sup>2</sup> Up to 6 FT4 extension cords can be connected together.  
<sup>3</sup> Please note that the white finish of the goof rings differs from the white finish of the LPDL Stanpro Series.

# LED LPDL™ CCT Selectable



LPDL™ gives you all the flexibility you need during installation, especially in confined area or when facing constraints such as wood beams, ceiling joist or air ducts. The driver is mounted separately from the light source which allows the luminaire profile to be less than 1" thick! It is the perfect all in one solution with integrated 5 color temperature selection.

Order code	Model number	Watts (W)	Volts (VAC)	Color temp. (K)	Lumen output (lm)	Efficacy (lm/W)	CRI	Life L70 (hrs) <sup>3</sup>	Beam angle (°)	Cable rating	Finish	Power factor	THD (%)	Traditional equivalent (W)	Master case qty
<b>4" Round</b>															
67799	LPDL4/RND/9W/5CCT/BN/STD	9	120	2 700/3 000/3 500/4 000/5 000	550	61	80+	50 000	110	FT4	Brushed Nickel	>0.9	<20	60	24
<b>4" Square</b>															
68733	LPDL4/SQR/9W/5CCT/WH	9	120	2 700/3 000/3 500/4 000/5 000	550	61	80+	50 000	110	FT4	White	>0.9	<20	60	24
<b>6" Round</b>															
68734	LPDL6/RND/12W/5CCT/BK	12	120	2 700/3 000/3 500/4 000/5 000	800	67	80+	50 000	110	FT4	Black	>0.9	<20	60	24

## Accessories

Order code	Model number	Type	Inner diameter (in)	Outer diameter (in)	Master case qty
66821 <sup>1</sup>	ACC/MPLATE/4.25IN/HANG.BARS/STD	Mounting plate with hanger bars	4 1/4	-	25
66058	ACC/MPLATE/4.25/ADJ/STD	Adjustable mounting plate	4 1/4	-	24
66051	ACC/MPLATE/4.25/SQR/STD	Square mounting plate	4 1/4	-	96
66143	ACC/4/VAPOR BARRIER/STD	Vapor barrier extender	4 1/4	-	50
68986 <sup>2</sup>	GOOF RING-4.25IN	Goof rings	4 1/4	6 1/2	120
66822 <sup>2</sup>	ACC/MPLATE/6.25IN/HANG.BARS/STD	Mounting plate with hanger bars	6 1/4	-	25
64921	ACC/MPLATE/6.25IN/ADJ/STD	Adjustable mounting plate	6 1/4	-	24
64263	ACC/MPLATE/6.25IN/SQR/STD	Square mounting plate	6 1/4	-	96
66144	ACC/6/VAPOR BARRIER/STD	Vapor barrier extender	6 1/4	-	50
68987 <sup>2</sup>	GOOF RING-6.25IN	Goof rings	6 1/4	7 7/8	120
64264 <sup>2</sup>	LPDL/ACC/6FT/EXTCABLE/STD	6' extension cord	-	-	96



<sup>1</sup> Includes brackets and screws.

<sup>2</sup> Up to 6 FT4 extension cords can be connected together. Only compatible with the 4" and 6" LPDL.

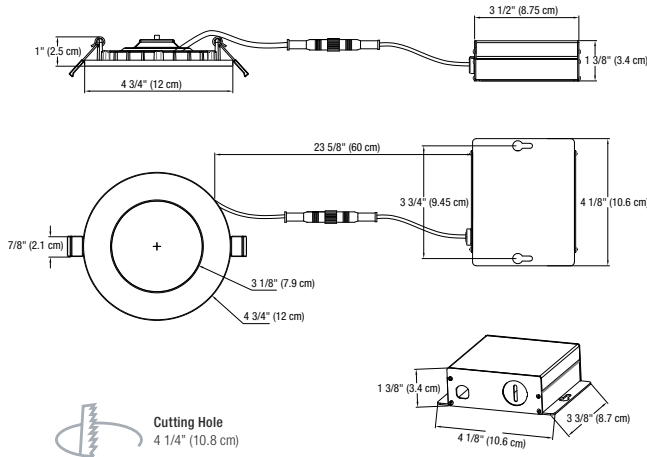
<sup>3</sup> Please note that the white finish of the goof rings differs from the white finish of the LPDL Stanpro Series.



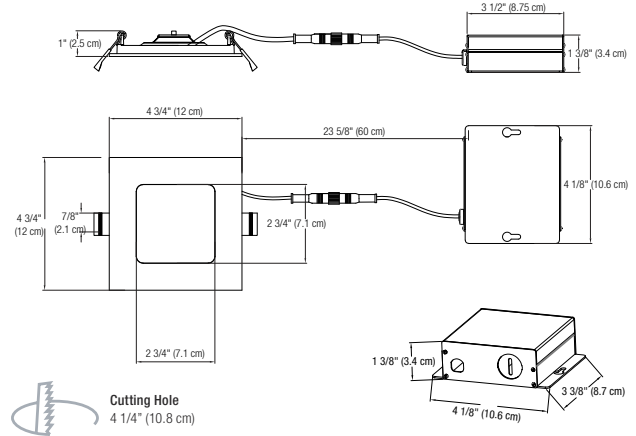
# LED LPDL™ CCT Selectable

## Dimensions

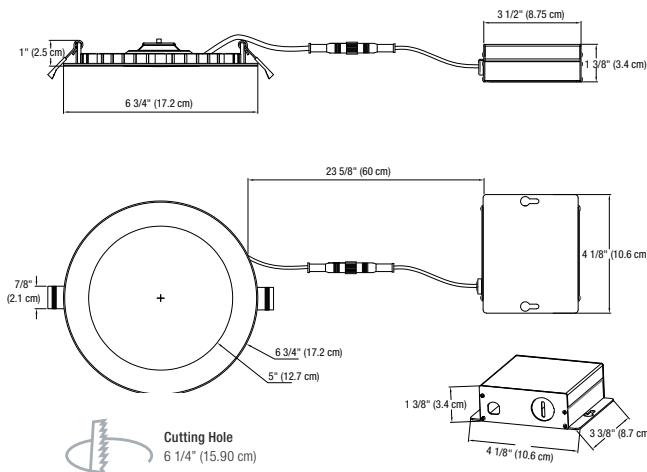
### 4" Round



### 4" Square



### 6" Round



Lumen values are derived from Energy Star reported data. For a complete list of compatible dimmers and ENERGY STAR qualified products, please visit [www.standardpro.com](http://www.standardpro.com)  
<sup>1</sup> Only with 68732 - LPDL4/RND/9W/5CCT/WH/WET



dimmable



damp location



wet location



7 yrs PR warranty



# LPDL™ CCT Selectable Gen. 2

LPDL™ CCT selectable Gen. 2 offers a variety of sizes and finishes. Being less than 1" thick, it can be installed in any type of ceiling such as shallow areas, or when facing constraints such as wood beams, ceiling joists, or air ducts. It is the perfect all-in-one solution with an integrated 5-color temperature selection.



Order code	Model number	Watts (W)	Volts (V AC)	Color temp. (K)	Lumen output (lm)	Efficacy (lm/W)	CRI	Life L70 (hrs)	Beam angle (°)	Shape	Finish	Cable rating	Power factor	THD (%)	Master case qty
<b>3"</b>															
70128	LPDL3R-S2-7A-5CWH	7	120	2 700/3 000/3 500/4 000/5 000	580	83	90+	50 000	110	Round	White	FT6	>0.9	<20	12
<b>4"</b>															
70129	LPDL4R-S2-7.5A-5CWH	7.5	120	2 700/3 000/3 500/4 000/5 000	620	83	90+	50 000	110	Round	White	FT6	>0.9	<20	12
70131	LPDL4R-S2-7.5A-5CBK	7.5	120	2 700/3 000/3 500/4 000/5 000	620	83	90+	50 000	110	Round	Black	FT6	>0.9	<20	12
70132	LPDL4S-S2-7A-5CWH	7	120	2 700/3 000/3 500/4 000/5 000	590	84	90+	50 000	110	Square	White	FT6	>0.9	<20	12
<b>6"</b>															
70133	LPDL6R-S2-12A-5CWH	12	120	2 700/3 000/3 500/4 000/5 000	1 000	83	90+	50 000	110	Round	White	FT6	>0.9	<20	6
70134	LPDL6R-S2-12A-5CBK	12	120	2 700/3 000/3 500/4 000/5 000	1 000	83	90+	50 000	110	Round	Black	FT6	>0.9	<20	6

## Compatible Accessories (order separately)

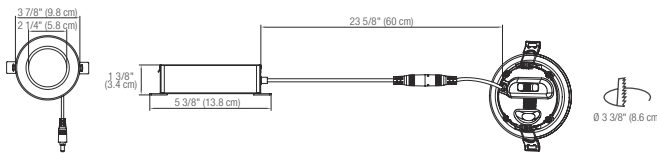
Order code	Model number	Type	Inner diameter (in)	Outer diameter (in)	Master case qty
66820 <sup>1</sup>	ACC/MPLATE/3.625IN/HANG.BARS/STD	Mounting plate with hanger bars	3 5/8	-	24
66056	ACC/MPLATE/3.625IN/ADJ/STD	Adjustable mounting plate	3 5/8	-	96
66049	ACC/MPLATE/3.625IN/SQR/STD	Square mounting plate	3 5/8	-	96
66142	ACC/3/VAPOR BARRIER/STD	Vapor barrier extender	3 5/8	-	50
66821 <sup>1</sup>	ACC/MPLATE/4.25IN/HANG.BARS/STD	Mounting plate with hanger bars	4 1/4	-	24
66058	ACC/MPLATE/4.25IN/ADJ/STD	Adjustable mounting plate	4 1/4	-	24
66051	ACC/MPLATE/4.25IN/SQR/STD	Square mounting plate	4 1/4	-	96
66143	ACC/4/VAPOR BARRIER/STD	Vapor barrier extender	4 1/4	-	50
68986	GOOF RING-4.25IN	Goof rings	4 1/4	6 1/2	120
66822 <sup>1</sup>	ACC/MPLATE/6.25IN/HANG.BARS/STD	Mounting plate with hanger bars	6 1/4	-	25
64921	ACC/MPLATE/6.25IN/ADJ/STD	Adjustable mounting plate	6 1/4	-	24
64263	ACC/MPLATE/6.25IN/SQR/STD	Square mounting plate	6 1/4	-	96
66144	ACC/6/VAPOR BARRIER/STD	Vapor barrier extender	6 1/4	-	50
68987	GOOF RING-6.25IN	Goof rings	6 1/4	7 7/8	120
64264 <sup>2</sup>	LPDL/ACC/6FT/EXTCABLE/STD	6' extension cord	-	-	96

<sup>1</sup> Includes brackets and screws.

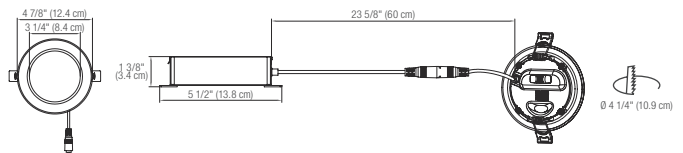
<sup>2</sup> Up to 6 FT4 extension cords can be connected together.

## Dimensions

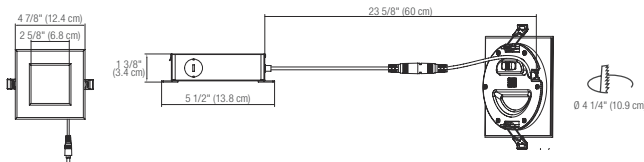
### 3" round



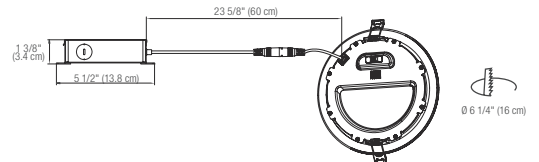
### 4" round



### 4" square

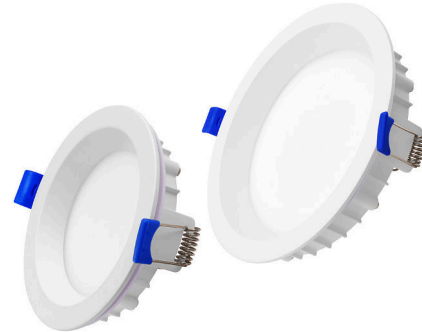


### 6" round



# LPDL™ REGRESSED LED Regressed Look Downlight

LPDL™ Regressed downlight offers high lumen with a glare-free solution while remaining high energy efficient. Available with an integrated 2 700/3 000/3 500/4 000/5 000 K selectable color temperature with 90+ CRI for true color accuracy. This luminaire is wet location listed, making it ideal for use in a breadth of indoor and outdoor applications.



Order code	Model number	Watts (W)	Volts (V AC)	Color temp. (K)	Lumen output (lm)	Efficacy (lm/W)	CRI	Life L70 (hrs)	Beam angle (°)	Cable rating	Finish	Shape	Power factor	THD (%)	Case qty (master)
<b>4"</b>															
70026	LPDL4R/RG-9A-5CWH	9	120	2 700/3 000/3 500/4 000/5 000	750	83.3	90+	50 000	110	Round	White	FT4	>0.9	<20	24
<b>6"</b>															
70027	LPDL6R/RG-12A-5CWH	12	120	2 700/3 000/3 500/4 000/5 000	1 200	100	90+	50 000	110	Round	White	FT4	>0.9	<20	24

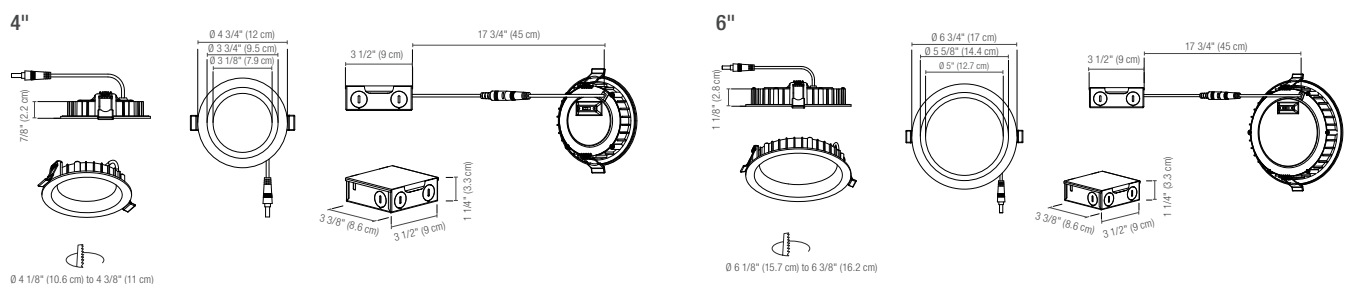
## Compatible Accessories (order separately)

Order code	Model number	Type	Inner diameter (in)	Opening diameter (in)	Case qty (master)
66821 <sup>1</sup>	ACC/MPLATE/4.25IN/HANG.BARS/STD	Mounting plate with hanger bars	4 1/4	-	24
66058	ACC/MPLATE/4.25/ADJ/STD	Adjustable mounting plate	4 1/4	-	24
66051	ACC/MPLATE/4.25/SQR/STD	Square mounting plate	4 1/4	-	96
66143	ACC/4/VAPOR BARRIER/STD	Vapor barrier extender	4 1/4	-	50
68986	GOOF RING-4.25IN	Goof rings	4 1/4	6 1/2	120
66822 <sup>1</sup>	ACC/MPLATE/6.25IN/HANG.BARS/STD	Mounting plate with hanger bars	6 1/4	-	25
64921	RF/ACC/6/MOUNT.PLATE/ADJ/STD	Adjustable mounting plate	6 1/4	-	24
64263	ACC/MPLATE/6.25IN/SQR/STD	Square mounting plate	6 1/4	-	96
66144	ACC/6/VAPOR BARRIER/STD	Vapor barrier extender	6 1/4	-	50
68987	GOOF RING-6.25IN	Goof rings	6 1/4	7 7/8	120
64264 <sup>2</sup>	LPDL/ACC/6FT/EXTCABLE/STD	6' extension cord	-	-	96

<sup>1</sup> Includes brackets and screws.

<sup>2</sup> Up to 6 FT4 extension cords can be connected together.

## Dimensions





# STELLAR 2" LED Downlight



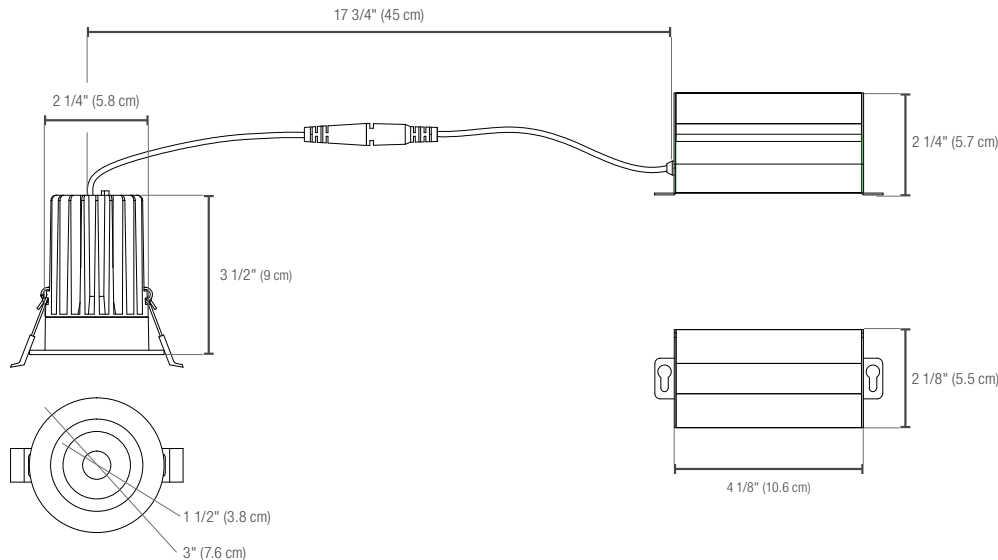
The STELLAR 2" LED downlight combines a sleek, versatile design with effortless installation. Its compact aperture enhances the ambiance of any space, while offering a warm-dim feature with color temperature options ranging from 3 000 to 2 200 K, or selectable temperatures of 2 700/3 000/3 500/4 000/5 000 K.

Order code	Model number	Watts (W)	Volts (VAC)	Color temp. (K)	Lumen output (lm)	Efficiency (lm/W)	CRI	Life L70 (hrs)	Beam Angle (°)	Shape	Finish	Cable rating	Power factor	THD (%)	Master case qty
<b>2"</b>															
70178	DLSSL2R-12A-5CWH	12	120	2 700/3 000/3 500/4 000/5 000	1 000	83	90+	50 000	38 (24)	Round	White	FT6	>0.9	<20	24
70180	DLSSL2R-12A-30-22KWH	12	120	3 000 - 2 200	850	71	90+	50 000	38 (24)	Round	White	FT6	>0.9	<20	24

## Compatible Accessories (order separately)

Order code	Model Number	Type
70221	DLSSL2R-TRIMBK	Trim

## Dimensions

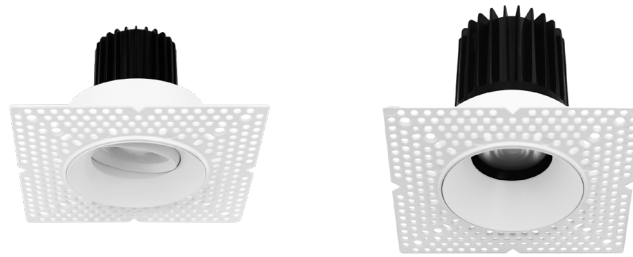


Lumen values are derived from Energy Star reported data. For a complete list of compatible dimmers and ENERGY STAR qualified products, please visit [www.standardpro.com](http://www.standardpro.com)



# CIELO TRIMLESS LED DOWNLIGHT 5 CCT Selectable

The CIELO Trimless LED Downlight boasts a sleek, modern design that delivers a subtle, elegant aesthetic. With its clean, seamless finish, it enhances any contemporary space. Available with gimbal and zoomable models and integrated 2 700/3 000/3 500/4 000/5 000 K selectable color temperature. This series is perfect for both residential and commercial applications.



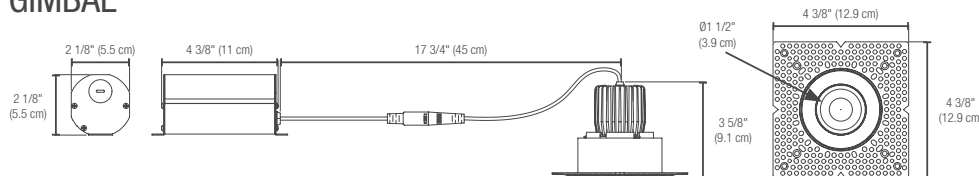
Order code	Model number	Watts (W)	Volts (VAC)	Color temp. (K) <sup>1</sup>	Lumen output (lm) <sup>2</sup>	Efficiency (lm/W)	CRI	Life L70 (hrs) <sup>3</sup>	Beam angle (°)	Shape	Finish	Cable rating	Power factor	THD (%)	Master case qty
<b>Gimbal</b>															
70475	DLCL3R-12A-5CWH	12	120	2 700/3 000/3 500/4 000/5 000	1 000	83	90+	50 000	38	Round	White	FT6	>0.9	<20	24
70476	DLCL3R-12A-5CBK	12	120	2 700/3 000/3 500/4 000/5 000	1 000	83	90+	50 000	38	Round	Black	FT6	>0.9	<20	24
<b>Zoomable</b>															
70477	DLCL3R-15A-5CWH	12	120	2 700/3 000/3 500/4 000/5 000	1 230	82	90+	50 000	24 - 55	Round	White	FT6	>0.9	<20	24
70478	DLCL3R-15A-5CBK	12	120	2 700/3 000/3 500/4 000/5 000	1 230	82	90+	50 000	24 - 55	Round	Black	FT6	>0.9	<20	24

<sup>1</sup> Typical color temperature range: +/- 5 %.

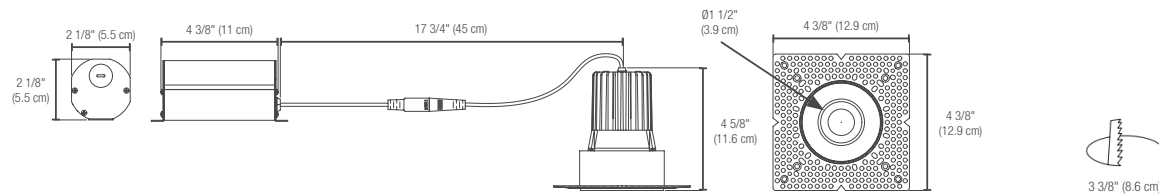
<sup>2</sup> Lumen values are derived from Energy Star reported data. Initial lumens range: +/- 10 %.

<sup>3</sup> Life hours are derived from IESNA LM-80 testing report and projected per IESNA TM-21 extrapolations.

## GIMBAL



## ZOOMABLE



Lumen values are derived from Energy Star reported data. For a complete list of compatible dimmers and ENERGY STAR qualified products, please visit [www.standardpro.com](http://www.standardpro.com)

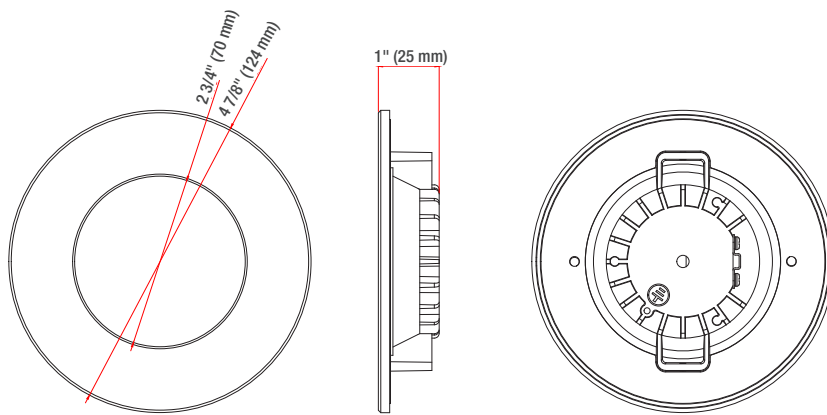


# LED Vivio

The Vivio Downlight is a 4" fixture offered in white and can be modified at any time with a magnetic black trim. Same look as a Low Profile Downlight, but can be dual installation; either new construction or in a retrofit application. A simple and elegant look that can adapt to any type of application.



Order code	Model number	Watts (W)	Volts (VAC)	Color temp. (K)	Lumen output (lm)	Efficiency (lm/W)	CRI	Life L70 (hrs)	Beam angle (°)	Finish	Power factor	THD (%)	Case qty (master)
<b>4" Round</b>													
68031	VDL4R-08A/5C	8	120	2 700 / 3 000 / 3 500 / 4 000 / 5 000	650	81	80+	50 000	110	White	>0.9	<20	24



## Accessories

Order code	Model number	Type	Finish / color	Compatible with	Case qty (master)
68032	VDL4R-TRIMBK	Magnetic Trim	Black	68031 VDL4R-08A/5C	96



## Included in the box



Lumen values are derived from Energy Star reported data. For a complete list of compatible dimmers and ENERGY STAR qualified products, please visit [www.standardpro.com](http://www.standardpro.com)





# LED Gimbal



The LED Gimbal downlight combines a sleek and versatile design with easy installation. Depending on your needs, you can choose the all-in-one kit or an LED module and a trim of your choice. It is possible to create up to 42 different module-trim combinations!

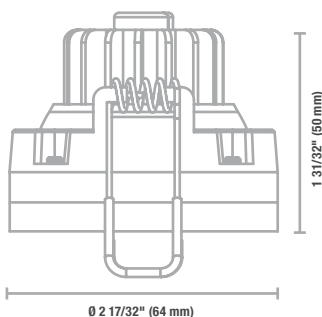
It is available in different color temperature, 3 000, 4 000 and warm-dim 3 000-2 200 K. This downlight is the perfect solution for both new construction and renovation applications.

## ALL-IN-ONE KIT

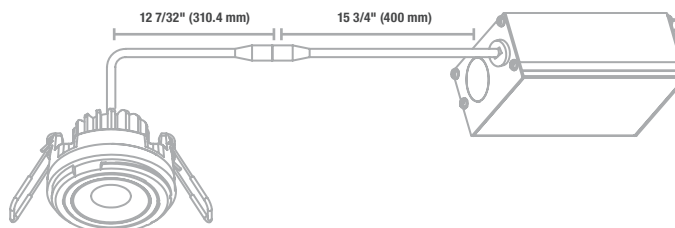
Order code	Part number	Watts (W)	Volts (VAC)	Color temp. (K)	Lumen output (lm)	Efficacy (lm/W)	CRI	Life L70 (hrs)	Beam angle (°)	Trim type	Cable rating	Finish	Power factor	THD (%)	Traditional equivalent (W)	Case qty (master)
<b>3" Round</b>																
69018	DL/GIMBAL/3IN/RND/7W/30K/WH	7	120	3 000	600	86	80+	36 000	40	Flat	FT4	White	>0.9	<40	50	24
<b>4" Round</b>																
69019	DL/GIMBAL/4IN/RND/7W/30K/WH	7	120	3 000	600	86	80+	36 000	40	Flat	FT4	White	>0.9	<40	50	24

## LED MODULE

Order code	Model number	Watts (W)	Volts (VAC)	Color temp. (K)	Lumen output (lm)	CRI	Life L70 (hrs)	Beam angle (°)	Finish	Traditional equivalent (W)	Case qty (master)
<b>Warm Dim Modules</b>											
65981	LED/DL/GIMBAL/MOD/7W/30-22K/WH/STD	7	120	3 000-2 200	470	90	30 000	40	White	50	18
65982	LED/DL/GIMBAL/MOD/7W/30-22K/BN/STD	7	120	3 000-2 200	470	90	30 000	40	Brushed nickel	50	18
<b>Modules</b>											
65422	LED/DL/GIMBAL/MOD/7W/30K/BN/STD	7	120	3 000	600	80	36 000	40	Brushed nickel	50	18
65421	LED/DL/GIMBAL/MOD/7W/40K/WH/STD	7	120	4 000	620	80	36 000	40	White	50	18
65423	LED/DL/GIMBAL/MOD/7W/40K/BN/STD	7	120	4 000	620	80	36 000	40	Brushed nickel	50	18



Module



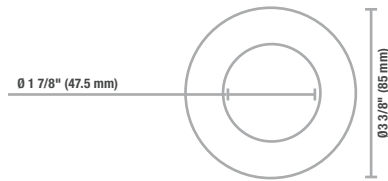
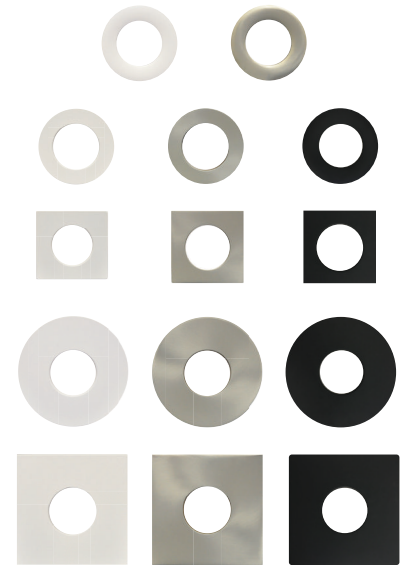
LED Module and Driver

Lumen values are derived from Energy Star reported data. For a complete list of compatible dimmers and ENERGY STAR qualified products, please visit [www.standardpro.com](http://www.standardpro.com)

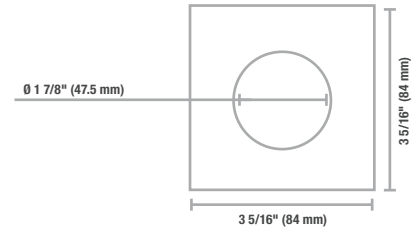


# Trims

Order code	Model number	Finish / color	Type	Case qty (master)
<b>3" Round</b>				
65432	LED/DL/GIMBAL/3IN/TRIM/RND/FLAT/WH/STD	White	Flat	96
65433	LED/DL/GIMBAL/3IN/TRIM/RND/FLAT/BN/STD	Brushed nickel	Flat	96
66230	LED/DL/GIMBAL/3IN/TRIM/RND/FLAT/BK/STD	Black	Flat	96
65450	LED/DL/GIMBAL/3IN/TRIM/RND/CURVED/WH/STD	White	Curved	96
65451	LED/DL/GIMBAL/3IN/TRIM/RND/CURVED/BN/STD	Brushed nickel	Curved	96
<b>3" Square</b>				
65434	LED/DL/GIMBAL/3IN/TRIM/SQR/FLAT/WH/STD	White	Flat	96
65435	LED/DL/GIMBAL/3IN/TRIM/SQR/FLAT/BN/STD	Brushed nickel	Flat	96
66231	LED/DL/GIMBAL/3IN/TRIM/SQR/FLAT/BK/STD	Black	Flat	96
<b>4" Round</b>				
65436	LED/DL/GIMBAL/4IN/TRIM/RND/FLAT/WH/STD	White	Flat	96
66232	LED/DL/GIMBAL/4IN/TRIM/RND/FLAT/BK/STD	Black	Flat	96
<b>4" Square</b>				
65438	LED/DL/GIMBAL/4IN/TRIM/SQR/FLAT/WH/STD	White	Flat	96
65439	LED/DL/GIMBAL/4IN/TRIM/SQR/FLAT/BN/STD	Brushed nickel	Flat	96
66233	LED/DL/GIMBAL/4IN/TRIM/SQR/FLAT/BK/STD	Black	Flat	96



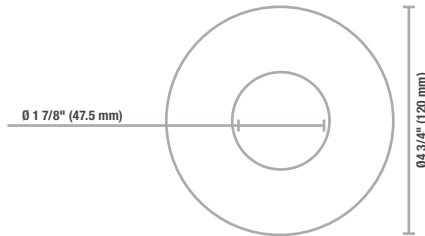
3" Trim



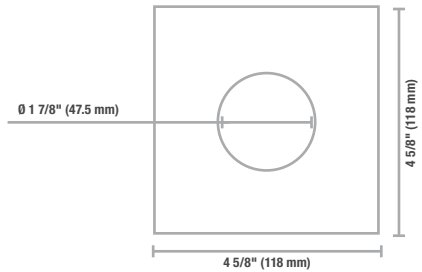
3" Trim



Ø 2 3/4" - 4 1/4" (70-108 mm)



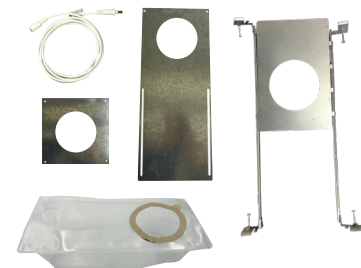
4" Trim



4" Trim

# Accessories

Order code	Model number	Opening diameter (in)	Type	Case qty (master)
66020	ACC/MPLATE/2.75IN/SQR/STD	2 3/4	Square mounting plate	96
66021	ACC/MPLATE/2.75IN/ADJ/STD	2 3/4	Adjustable mounting plate	24
66819	ACC/MPLATE/2.75IN/HANG.BARS/STD	2 3/4	Mounting plate with hanger bars	25
64264	LPDL/ACC/6FT/EXTCABLE/STD	-	6' extension cord	96
66142	ACC/3/VAPOR BARRIER/STD	3 5/8	Vapor barrier extender	50



# LED Gimbal High Output



The LED Gimbal high output downlight combines a sleek design with a small aperture without any compromise to the light output. Choose between single color temperature 3 000-2 200, 3 000 and 4 000 K or integrated 2 700/3 000/3 500/4 000/5 000 K selectable temperature. This series is perfect for both residential and commercial applications. This downlight is also available in bulk packs of 10 units, perfect for contractor projects!

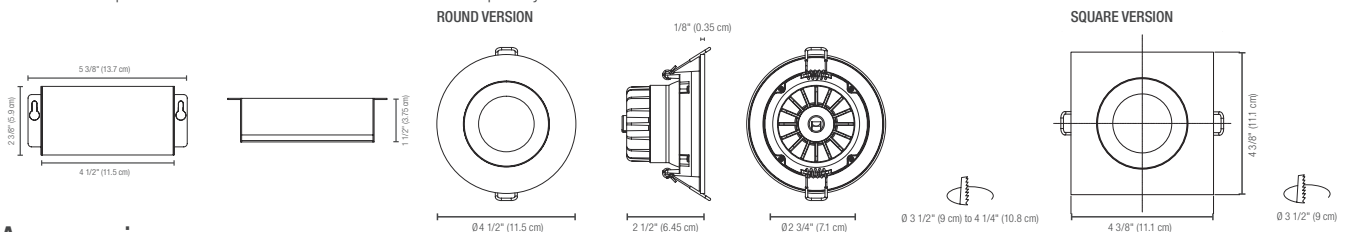
## Combined LED Module and LED Driver

Order code	Model number	Watts		Color temp. (K)	Lumen output (lm)	Efficacy (lm/W)	CRI	Life L70 (hrs)	Beam angle (°)	Cable rating	Finish	Shape	Power factor	THD (%)	Case qty (master)
		(W)	(V AC)												
<b>Single CCT</b>															
67809	DL/GIMBAL/RND/12W/30K/WH/STD	12	120	3 000	920	77	90+	50 000	40	FT6	White	Round	>0.9	<20	24
67810	DL/GIMBAL/RND/12W/30K/BN/STD	12	120	3 000	920	77	90+	50 000	40	FT6	Brushed Nickel	Round	>0.9	<20	24
67811	DL/GIMBAL/RND/12W/30K/BK/STD	12	120	3 000	920	77	90+	50 000	40	FT6	Black	Round	>0.9	<20	24
67812	DL/GIMBAL/RND/12W/40K/WH/STD	12	120	4 000	950	79	90+	50 000	40	FT6	White	Round	>0.9	<20	24
<b>Warm Dim</b>															
67813	DL/GIMBAL/RND/12W/30-22K/WH/STD	12	120	3 000-2 200	660	55	90+	50 000	40	FT6	White	Round	>0.9	<20	24
<b>CCT Selectable</b>															
69015	DL/GIMBAL/3.5IN/RND/12W/5C/WH	12	120	2 700/3 000/3 500/4 000/5 000	850	71	90+	50 000	40	FT6	White	Round	>0.9	<20	24
69016	DL/GIMBAL/3.5IN/RND/12W/5C/BK	12	120	2 700/3 000/3 500/4 000/5 000	850	71	90+	50 000	40	FT6	Black	Round	>0.9	<20	24
69017	DL/GIMBAL/3.5IN/RND/12W/5C/BN	12	120	2 700/3 000/3 500/4 000/5 000	850	71	90+	50 000	40	FT6	Brushed Nickel	Round	>0.9	<20	24
69427	DL/GIMBAL/3.5IN/SQR/12W/5C/WH	12	120	2 700/3 000/3 500/4 000/5 000	850	71	90+	50 000	40	FT6	White	Square	>0.9	<20	24

## Bulk pack of 10 units

Order code	Model number	Watts		Color temp. (K)	Lumen output (lm)	Efficiency (lm/W)	CRI	Life L70 (hrs)	Tested hours LM-80 (hrs)	Beam angle (°)	Cable rating	Finish	Power factor	THD (%)	Pack qty
		(W)	(VAC)												
<b>LED Module</b>															
68208 <sup>1</sup>	DL/GIMBAL/RND/12W/30K/WH MODULE BULK	12	120	3 000	920	77	90+	50 000	10 000	40	FT6	White	>0.9	<20	10
<b>LED Driver</b>															
68209 <sup>1</sup>	GMB-DVR-12W BULK	12	120	-	-	-	-	50 000	-	-	-	-	>0.9	<20	10
69238 <sup>1</sup>	GMB-DVR-12W/120-277V BULK	12	120-277	-	-	-	-	50 000	-	-	-	-	>0.9	<20	10

<sup>1</sup> 68208 must be purchased with 68209 or 69238 and cannot be used separately.



## Accessories

Order code	Model number	Type	Opening diameter (in)	Case qty (master)
66049	ACC/MPLATE/3.625IN/SQR/STD	Square mounting plate	3 5/8	96
66056	ACC/MPLATE/3.625IN/ADJ/STD	Adjustable mounting plate	3 5/8	96
66142	ACC/3/VAPOR BARRIER/STD	Vapor barrier extender	3 5/8	50
66820	ACC/MPLATE/3.625IN/HANG.BARS/STD	Mounting plate with hanger bars	3 5/8	25
66964 <sup>2</sup>	LPDL/ACC/6FT/EXTCABLE/FT6/STD	6' FT6 Extension cord	-	96



Lumen values are derived from Energy Star reported data. For a complete list of compatible dimmers and ENERGY STAR qualified products, please visit [www.standardpro.com](http://www.standardpro.com).  
<sup>2</sup> Only compatible with single CCT version. Up to 6 FT6 extension cords can be connected together.



# COMETO FIRE-RATED Slim Backlit Downlight



COMETO Fire-rated slim backlit downlight has been designed and tested to meet fire-resistance standards. The housing is made of heat-resistant reinforced steel, giving it a 2-hour fire resistance rating. This downlight offers integrated 2 700/3 000/3 500/ 4 000/5 000 K selectable color temperature to suit your needs. Cometo Fire-Rated is compliant with UL 263, ASTM E119, CAN/ULC S101 and ANSI/UL 263.

Order code	Model number	Watts (W)	Volts (VAC)	Color temp. (K) <sup>1</sup>	Lumen output (lm) <sup>2</sup>	Efficacy (lm/W)	CRI	Life L70 (hrs) <sup>3</sup>	Beam angle (°)	Shape	Finish	Cable rating	Power factor	Fire resistance (hrs)	THD (%)	Master case qty
<b>4"</b>																
69596	DLC04R-11A-5CWH/FX	11	120	2 700/3 000/3 500/4 000/5 000	750	68	80+	50 000	100	Round	White	FT6	>0.9	2	<11.5	24
<b>6"</b>																
69597	DLC06R-12A-5CWH/FX	12	120	2 700/3 000/3 500/4 000/5 000	1000	83	80+	50 000	100	Round	White	FT6	>0.9	2	<11.5	12

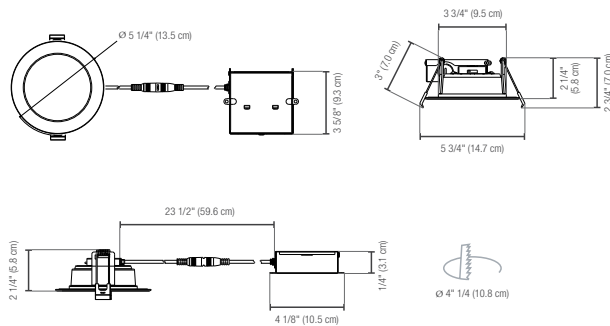
<sup>1</sup> Typical color temperature range: +/- 5 %.

<sup>2</sup> Lumen values are derived from Energy Star reported data. Initial lumens range: +/- 10 %.

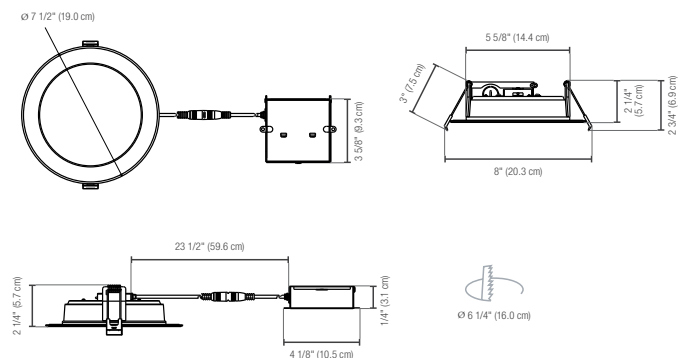
<sup>3</sup> Life hours are derived from IESNA LM-80 testing report and projected per IESNA TM-21 extrapolations.

## Dimensions

4"



6"



## Accessories

Order code	Model number	Type	Inner diameter (in)	Master case qty
66821	ACC/MPLATE/4.25IN/HANG.BARS/STD	Mounting plate with hanger bars	4 1/4	24
66058	ACC/MPLATE/4.25/ADJ/STD	Adjustable mounting plate	4 1/4	24
66051	ACC/MPLATE/4.25/SQR/STD	Square mounting plate	4 1/4	96
66143	ACC/4/VAPOR BARRIER/STD	Vapor barrier extender	4 1/4	50
66822	ACC/MPLATE/6.25IN/HANG.BARS/STD	Mounting plate with hanger bars	6 1/4	24
64921	RF/ACC/6/MOUNT.PLATE/ADJ/STD	Adjustable mounting plate	6 1/4	24
64263	ACC/MPLATE/6.25IN/SQR/STD	Square mounting plate	6 1/4	96
66144	ACC/6/VAPOR BARRIER/STD	Vapor barrier extender	6 1/4	50
66964	LPDL/ACC/6FT/EXTCABLE/FT6/STD	6' extension cord	-	96



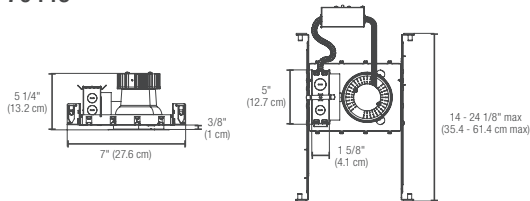
# ARCHI 4" ARCHITECTURAL LED DOWNLIGHT

The Archi is designed for both new construction (non-IC) and remodel applications across all commercial lighting applications. This high-output LED downlight offers exceptional versatility, featuring 3 power and 5 color temperature selectable options to customize lighting to your specific needs.

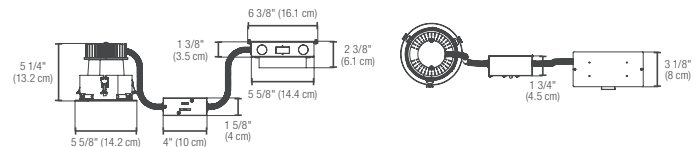


Order code	Model number	Type	Watts (W)	Volts (VAC)	Color temp. (K)	Lumen output (lm)	Efficacy (lm/W)	CRI	Life L70 (hrs)	Beam angle (°)	Shape	Power factor ≥0.90	THD ≤20	Master case qty
70446	AR4-PS25-Q-80-5CWH	New construction	10/18/25	120-347	2 700/3 000/3 500/4 000/5 000	2 750	107	80+	50 000	38	Round	≥0.90	≤20	4
70448	AR4R-PS25-Q-80-5CWH	Remodeler	10/18/25	120-347	2 700/3 000/3 500/4 000/5 000	2 750	107	80+	50 000	38	Round	≥0.90	≤20	6
70450	AR4-PS50-Q-80-5CWH	New construction	30/40/50	120-347	2 700/3 000/3 500/4 000/5 000	5 000	100	80+	50 000	38	Round	≥0.90	≤20	4
70452	AR4R-PS50-Q-80-5CWH	Remodeler	30/40/50	120-347	2 700/3 000/3 500/4 000/5 000	4 800	96	80+	50 000	38	Round	≥0.90	≤20	6

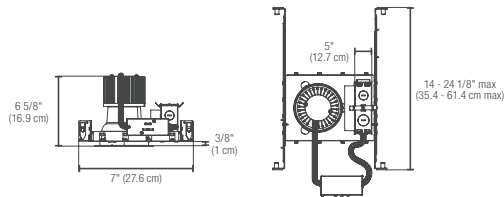
## 70446



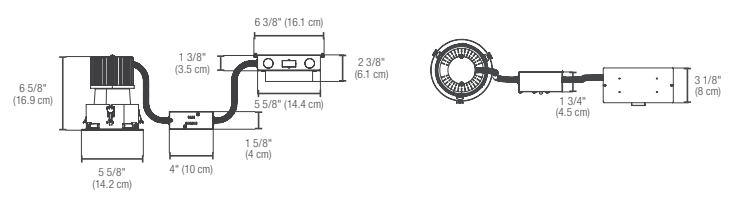
## 70448



## 70450

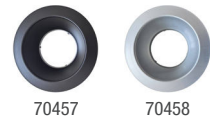


## 70452



## Accessories (order separately)

Order code	Model number	Type	Master case qty
70454	BLACK BAFFLE AND FROSTED LENS FOR AR4	Black Baffle and Frosted Lens	48
70455	WHITE BAFFLE AND FROSTED LENS FOR AR4	White Baffle and Frosted Lens	48
70456	SILVER HAZE BAFFLE AND FROSTED LENS FOR AR4	Silver Haze Baffle and Frosted Lens	48
70457	BLACK BAFFLE AND CLEAR LENS FOR AR4	Black Baffle and Clear Lens	48
70458	SILVER HAZE BAFFLE AND CLEAR LENS FOR AR4	Silver Haze Baffle and Clear Lens	48
70459	WIDE BEAM ANGLE FOR AR4	Wide Beam Angle	100
70460	NARROW BEAM ANGLE FOR AR4	Narrow Beam Angle	100



<sup>1</sup> Junction box not included. For a complete list of compatible dimmers and ENERGY STAR qualified products, please visit [www.standardpro.com](http://www.standardpro.com)





# Universal Commercial - CDU Gen 2

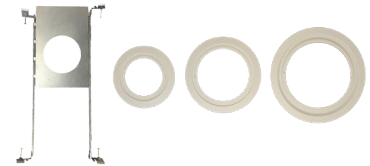
The Universal Commercial downlight series is an all-in-one luminaire with multiple configurations. With 3 color temperature and 3 power selectable, this luminaire is high versatility, glare-free design, and dimmable. This downlight is perfect for both new construction and retrofit solution. It is the ideal solution for replacing CFL, HID or incandescent lamps with a high performance LED recessed.



Order code	Model number	Watts (W)	Volts (VAC)	Color temp. (K)	Lumen output (lm)	Efficacy (lm/W)	CRI	Life L70 (hrs)	Beam angle (°)	Shape	Finish	Power factor	THD (%)	Master case qty
<b>4"</b>														
69093	CDU4R-G2-PS3Q/3CWH	7/9/12	120-347	3 000/3 500/4 000	595/765/1 000	85	80+	50 000	80	Round	White	>0.9	<20	8
69657	CDU4R-G2-PS3Q/3CWH AZ	7/9/12	120-347	3 000/3 500/4 000	595/765/1 000	85	80+	50 000	80	Round	Alzak	>0.9	<20	8
<b>6"</b>														
69094	CDU6R-G2-PS3Q/3CWH	12/16/20	120-347	3 000/3 500/4 000	1 080/1 440/2 000	90	80+	50 000	88	Round	White	>0.9	<20	8
69658	CDU6R-G2-PS3Q/3CWH AZ	12/16/20	120-347	3 000/3 500/4 000	1 080/1 440/2 000	90	80+	50 000	88	Round	Alzak	>0.9	<20	8
<b>8"</b>														
69095	CDU8R-G2-PS3Q/3CWH	15/20/25	120-347	3 000/3 500/4 000	1 800/2 200/2 900	110	80+	50 000	83	Round	White	>0.9	<20	8
69659	CDU8R-G2-PS3Q/3CWH AZ	15/20/25	120-347	3 000/3 500/4 000	1 800/2 200/2 900	110	80+	50 000	83	Round	Alzak	>0.9	<20	8

## Accessories

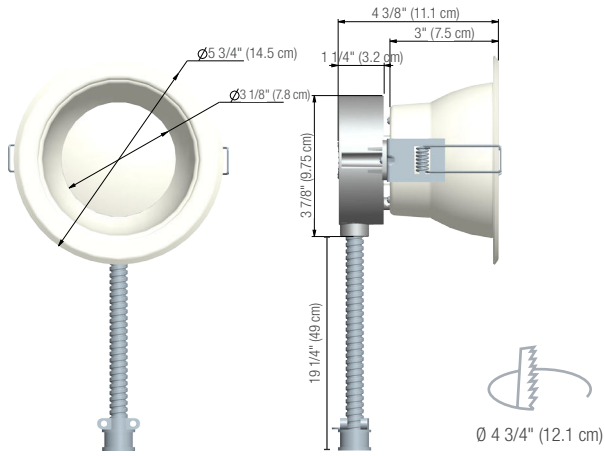
Order code	Model number	Type	Inner Diameter (in)	Outer diameter (in)	Master case qty
62772	ACC/MPLATE/4.625IN/HANG.BARS/STD	Mounting plate with hanger bars	4 5/8	N/A	20
66817	ACC/MPLATE/VELOCE6/HANG.BARS/STD	Mounting plate with hanger bars	6	N/A	8
66818	ACC/MPLATE/VELOCE8/HANG.BARS/STD	Mounting plate with hanger bars	8	N/A	8
68614	GOOF RING-4.75IN	Goof ring	4 7/8	7 1/2	24
68615	GOOF RING-6.75IN	Goof ring	6 3/4	9 1/4	24
68616	GOOF RING-8IN	Goof ring	8 1/4	11 1/2	24



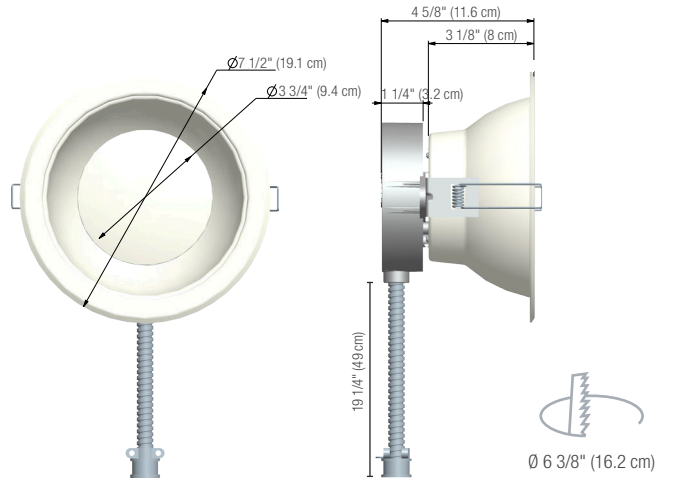
<sup>1</sup> Junction box not included.  
Lumen values are derived from Energy Star reported data.  
For a complete list of compatible dimmers and ENERGY STAR qualified products, please visit [www.standardpro.com](http://www.standardpro.com)

# DIMENSIONS

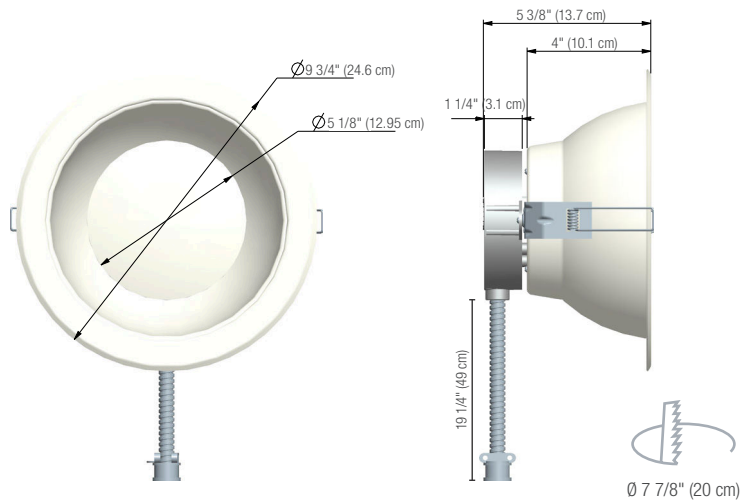
4"



6"



8"



# LED Veloce™

The range of Veloce™ LED downlights is an ideal solution to replace fixtures in existing installations as well as for use in new construction. As it operates on a 1-10 V dimming system, this series is best suited for commercial applications.

This series is available in 4", 6", and 8" replacement options, and it does not require the use of a housing. The LED module is fitted with an external dimmable driver and is mounted into the ceiling using torsion springs.



## LED Veloce™ 4

Order code	Description	Watts	Volts	Color temp.	Lumen output	CRI	Life L70	Beam angle	CBCP	Baffle color	Traditional equivalent (W)		Case qty
		(W)	(VAC)	(K)	(lm)		(hrs)	(°)	(cd)		CFL	HID	(master)
<b>Clear Lens</b>													
64744	VELOCE4/MOD/13W/30K/45/SLV/STD	13	120-277	3 000	1 160	90	50 000	45	1 648	Silver	26	20	4
64750	VELOCE4/MOD/13W/30K/45/BLK/STD	13	120-277	3 000	1 160	90	50 000	45	1 648	Black	26	20	4
64756	VELOCE4/MOD/13W/30K/45/WH/STD	13	120-277	3 000	1 160	90	50 000	45	1 648	White	26	20	4
64745	VELOCE4/MOD/13W/35K/45/SLV/STD	13	120-277	3 500	1 160	90	50 000	45	1 781	Silver	26	20	4
64751	VELOCE4/MOD/13W/35K/45/BLK/STD	13	120-277	3 500	1 160	90	50 000	45	1 781	Black	26	20	4
64757	VELOCE4/MOD/13W/35K/45/WH/STD	13	120-277	3 500	1 160	90	50 000	45	1 781	White	26	20	4
64746	VELOCE4/MOD/13W/40K/45/SLV/STD	13	120-277	4 000	1 160	90	50 000	45	1 756	Silver	26	20	4
64752	VELOCE4/MOD/13W/40K/45/BLK/STD	13	120-277	4 000	1 160	90	50 000	45	1 756	Black	26	20	4
64758	VELOCE4/MOD/13W/40K/45/WH/STD	13	120-277	4 000	1 160	90	50 000	45	1 756	White	26	20	4
<b>Frost Lens</b>													
64747	VELOCE4/MOD/F/13W/30K/70/SLV/STD	13	120-277	3 000	960	90	50 000	70	599	Silver	26	20	4
64753	VELOCE4/MOD/F/13W/30K/70/BLK/STD	13	120-277	3 000	960	90	50 000	70	599	Black	26	20	4
64759	VELOCE4/MOD/F/13W/30K/70/WH/STD	13	120-277	3 000	960	90	50 000	70	599	White	26	20	4
64748	VELOCE4/MOD/F/13W/35K/70/SLV/STD	13	120-277	3 500	960	90	50 000	70	624	Silver	26	20	4
64754	VELOCE4/MOD/F/13W/35K/70/BLK/STD	13	120-277	3 500	960	90	50 000	70	624	Black	26	20	4
64760	VELOCE4/MOD/F/13W/35K/70/WH/STD	13	120-277	3 500	960	90	50 000	70	624	White	26	20	4
64749	VELOCE4/MOD/F/13W/40K/70/SLV/STD	13	120-277	4 000	960	90	50 000	70	643	Silver	26	20	4
64755	VELOCE4/MOD/F/13W/40K/70/BLK/STD	13	120-277	4 000	960	90	50 000	70	643	Black	26	20	4
64761	VELOCE4/MOD/F/13W/40K/70/WH/STD	13	120-277	4 000	960	90	50 000	70	643	White	26	20	4

### LED Driver

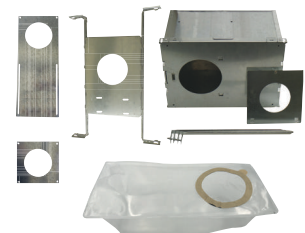
	System watts (W)	Max. load (W)	Input volts (VAC)	Output volts (VDC)	Input current (mA)
Veloce 4	16	18	120-277	30-42	350



Ø 3 17/32" (90 mm) up to  
Ø 4 1/4" (100 mm)

### Accessories

Order code	Model number	Opening diameter (in.)	Type	Case qty (master)
66051	ACC/MPLATE/4.25IN/SQR/STD	4 ¼	Mounting plate	100
66058	ACC/MPLATE/4.25IN/ADJ/STD	4 ¼	Adjustable mounting plate	50
62678	ACC/MPLATE/4.25IN/HANG.BARS/STD	4 ¼	Mounting plate with hanger bars	20
62672	ACC/INSULATED BOX/3_4.5/STD	3 to 4 ½	Insulated box with hanger bars	4
66143	ACC/4/VAPOR BARRIER/STD	4 ¼	Vapor barrier extender	50



Lumen values are derived from Energy Star reported data. For a complete list of compatible dimmers and ENERGY STAR qualified products, please visit [www.standardpro.com](http://www.standardpro.com)



# LED Veloce™ 6



Order code	Description	Watts	Volts	Color temp.	Lumen output	CRI	Life L70	Beam angle	CBCP	Baffle color	Traditional equivalent (W)		Case qty
		(W)	(VAC)	(K)	(lm)		(hrs)	(°)	(cd)		CFL	HID	(master)
<b>Clear Lens</b>													
64762	VELOCE6/MOD/18W/35K/45/SLV/STD	18	120-277	3 500	2 030	90	50 000	45	2 328	Silver	2 x 26	30	4
64766	VELOCE6/MOD/18W/35K/45/BLK/STD	18	120-277	3 500	2 030	90	50 000	45	2 328	Black	2 x 26	30	4
64763	VELOCE6/MOD/18W/40K/45/SLV/STD	18	120-277	4 000	2 030	90	50 000	45	2 364	Silver	2 x 26	30	4
64767	VELOCE6/MOD/18W/40K/45/BLK/STD	18	120-277	4 000	2 030	90	50 000	45	2 364	Black	2 x 26	30	4
64774	VELOCE6/MOD/26W/35K/45/SLV/STD	26	120-277	3 500	2 750	90	50 000	45	3 121	Silver	2 x 32	50	4
64778	VELOCE6/MOD/26W/35K/45/BLK/STD	26	120-277	3 500	2 750	90	50 000	45	3 121	Black	2 x 32	50	4
64775	VELOCE6/MOD/26W/40K/45/SLV/STD	26	120-277	4 000	2 750	90	50 000	45	3 237	Silver	2 x 32	50	4
64779	VELOCE6/MOD/26W/40K/45/BLK/STD	26	120-277	4 000	2 750	90	50 000	45	3 237	Black	2 x 32	50	4
<b>Frost Lens</b>													
64764	VELOCE6/MOD/F/18W/35K/70/SLV/STD	18	120-277	3 500	1 860	90	50 000	70	980	Silver	2 x 26	30	4
64768	VELOCE6/MOD/F/18W/35K/70/BLK/STD	18	120-277	3 500	1 860	90	50 000	70	980	Black	2 x 26	30	4
64765	VELOCE6/MOD/F/18W/40K/70/SLV/STD	18	120-277	4 000	1 860	90	50 000	70	959	Silver	2 x 26	30	4
64769	VELOCE6/MOD/F/18W/40K/70/BLK/STD	18	120-277	4 000	1 860	90	50 000	70	959	Black	2 x 26	30	4
64776	VELOCE6/MOD/F/26W/35K/70/SLV/STD	26	120-277	3 500	2 500	90	50 000	70	1 331	Silver	2 x 32	50	4
64780	VELOCE6/MOD/F/26W/35K/70/BLK/STD	26	120-277	3 500	2 500	90	50 000	70	1 331	Black	2 x 32	50	4
64777	VELOCE6/MOD/F/26W/40K/70/SLV/STD	26	120-277	4 000	2 500	90	50 000	70	1 407	Silver	2 x 32	50	4
64781	VELOCE6/MOD/F/26W/40K/70/BLK/STD	26	120-277	4 000	2 500	90	50 000	70	1 407	Black	2 x 32	50	4

## LED Drivers

	System watts (W)	Max. load (W)	Input volts (VAC)	Output volts (VAC)	Input current (mA)
Veloce 6 (18 W)	22	36	120-277	30-42	500
Veloce 6 (26 W)	30	36	120-277	30-42	700



Ø 6" (150 mm) up to  
Ø 6 5/8" (165 mm)

## Accessories

Order code	Model number	Opening diameter (in.)	Type	Case qty (master)
66817	ACC/MPLATE/VELOCE6/HANG.BARS/STD	6	Mounting plate with hanger bars	8
64263	ACC/MPLATE/6.25IN/SQR/STD	6 ¼	Mounting plate	96
64921	ACC/MPLATE/6.25IN/ADJ/STD	6 ¼	Adjustable mounting plate	24
66144	ACC/6/VAPOR BARRIER/STD	6 7/8	Vapor barrier extender	50



Lumen values are derived from Energy Star reported data. For a complete list of compatible dimmers and ENERGY STAR qualified products, please visit [www.standardpro.com](http://www.standardpro.com)



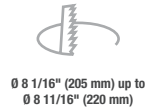
# LED Veloce™ 8



Order code	Description	Watts	Volts	Color temp.	Lumen output	CRI	Life L70	Beam angle	CBCP	Baffle color	Traditional equivalent (W)		Case qty
		(W)	(VAC)	(K)	(lm)		(hrs)	(°)	(cd)		CFL	HID	(master)
<b>Clear Lens</b>													
64786	VELOCE8/MOD/26W/35K/45/SLV/STD	26	120-277	3 500	2 800	90	50 000	45	2 517	Silver	2 x 32	50	4
64790	VELOCE8/MOD/26W/35K/45/BLK/STD	26	120-277	3 500	2 800	90	50 000	45	2 517	Black	2 x 32	50	4
64787	VELOCE8/MOD/26W/40K/45/SLV/STD	26	120-277	4 000	2 800	90	50 000	45	2 852	Silver	2 x 32	50	4
64791	VELOCE8/MOD/26W/40K/45/BLK/STD	26	120-277	4 000	2 800	90	50 000	45	2 852	Black	2 x 32	50	4
64798	VELOCE8/MOD/38W/40K/45/SLV/STD	38	120-277	4 000	3 950	90	50 000	45	4 092	Silver	2 x 42	70	4
64800	VELOCE8/MOD/38W/40K/45/BLK/STD	38	120-277	4 000	3 950	90	50 000	45	4 092	Black	2 x 42	70	4
<b>Frost Lens</b>													
64788	VELOCE8/MOD/F/26W/35K/70/SLV/STD	26	120-277	3 500	2 490	90	50 000	70	1 468	Silver	2 x 32	50	4
64792	VELOCE8/MOD/F/26W/35K/70/BLK/STD	26	120-277	3 500	2 490	90	50 000	70	1 468	Black	2 x 32	50	4
64789	VELOCE8/MOD/F/26W/40K/70/SLV/STD	26	120-277	4 000	2 490	90	50 000	70	1 601	Silver	2 x 32	50	4
64793	VELOCE8/MOD/F/26W/40K/70/BLK/STD	26	120-277	4 000	2 490	90	50 000	70	1 601	Black	2 x 32	50	4
64799	VELOCE8/MOD/F/38W/40K/70/SLV/STD	38	120-277	4 000	3 500	90	50 000	70	2 282	Silver	2 x 42	70	4
64801	VELOCE8/MOD/F/38W/40K/70/BLK/STD	38	120-277	4 000	3 500	90	50 000	70	2 282	Black	2 x 42	70	4

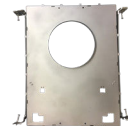
## LED Drivers

	System watts (W)	Max. load (W)	Input volts (VAC)	Output volts (VDC)	Input current (mA)
Veloce 8 (26 W)	30	36	120-277	30-42	700
Veloce 8 (36 W)	42	50	120-277	22-38	1 050

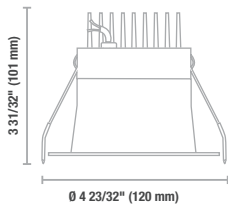


## Accessory

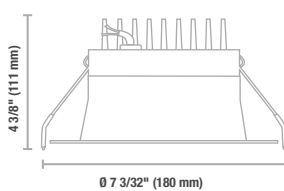
Order code	Model number	Opening diameter (in.)	Type	Case qty (master)
66818	ACC/MPLATE/VELOCE8/HANG.BARS/STD	8	Mounting plate with hanger bars	8



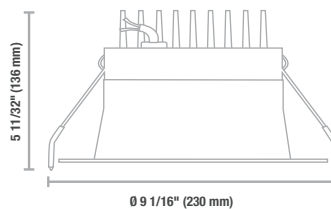
### Veloce™ 4



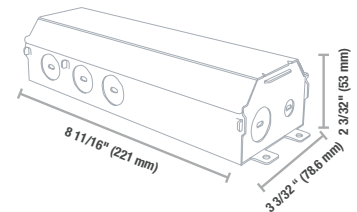
### Veloce™ 6



### Veloce™ 8



### Veloce™ 4, 6 and 8 LED Driver



Lumen values are derived from Energy Star reported data. For a complete list of compatible dimmers and ENERGY STAR qualified products, please visit [www.standardpro.com](http://www.standardpro.com)





# LED Lumeina™

Lumeina™ Series is the perfect combination of state of the art technology and aesthetic design. The quality of light of this series is comparable to that of a halogen lamp offering crisp, directional light which perfectly highlights surroundings. It offers a CRI of 90 and glare-control reflector design.

This small LED module provides higher lumen performance than an LED lamp and is very easy to install. Without the need of a housing, it is installed directly in the ceiling using torsion springs and most models are IC rated. The LED module is fitted with an external dimmable driver.

Lumeina offers style, discretion and flexibility with a wide selection of interchangeable trims and accessories.

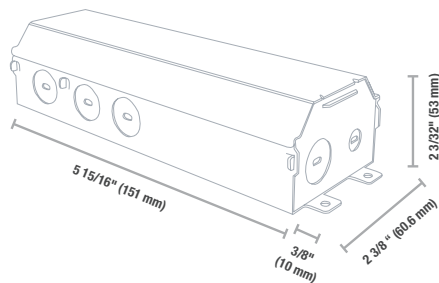


## LED Modules

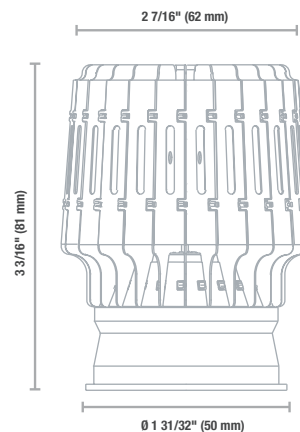
Order code	Model number	Watts (W)	Volts (VAC)	Color temp. (K)	Lumen output (lm)	CRI	Life L70 (hrs)	Beam angle (°)	CBCP (cd)	Traditional equivalent MR16 (W)	Case qty (master)
<b>IC (can be used in insulated ceiling)</b>											
64706	LUMEINA/MOD/IC/6W/30K/22/STD	6	120	3 000	750	90	50 000	22	3 051	50	20
64707	LUMEINA/MOD/IC/6W/30K/36/STD	6	120	3 000	750	90	50 000	36	1 763	50	20
64708	LUMEINA/MOD/IC/6W/30K/60/STD	6	120	3 000	750	90	50 000	60	1 078	50	20
<b>Non-IC (not for use in insulated ceiling)</b>											
64709	LUMEINA/MOD/9W/30K/22/STD	9	120	3 000	950	90	50 000	22	3 524	50	20
64710	LUMEINA/MOD/9W/30K/36/STD	9	120	3 000	950	90	50 000	36	2 121	50	20
64711	LUMEINA/MOD/9W/30K/60/STD	9	120	3 000	950	90	50 000	60	1 305	50	20

## LED Drivers

	System watts (W)	Max. load (W)	Input Volts (VAC)	Output volts (VDC)	Input current (mA)
Lumeina 6 W	9	9	120	30-38	200
Lumeina 9 W	12	12	120	30-38	260



LED Driver  
6 W and 9 W



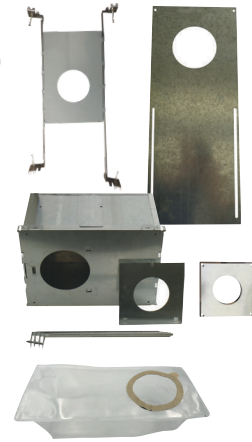
Lumeina™  
module  
6 W and 9 W

Lumen values are derived from Energy Star reported data.  
For a complete list of compatible dimmers and ENERGY STAR qualified products, please visit [www.standardpro.com](http://www.standardpro.com)  
Lumeina 9 W can be used in insulated ceilings only when combined with the insulated box (62672)



## Accessories

Order code	Model number	Opening diameter (in.)	Type	Case qty (master)
66020	ACC/MPLATE/2.75IN/SQR/STD	2 3/4	Square mounting plate	96
66021	ACC/MPLATE/2.75IN/ADJ/STD	2 3/4	Adjustable mounting plate	24
66819	ACC/MPLATE/2.75IN/HANG.BARS/STD	2 3/4	Mounting plate with hanger bars	25
66046	ACC/MPLATE/3IN/SQR/STD	3	Square mounting plate	96
66142	ACC/3/VAPOR BARRIER/STD	3 5/8	Vapor barrier extender	50
66048	ACC/MPLATE/3.5IN/SQR/STD	3 1/2	Square mounting plate	96
66047	ACC/MPLATE/3.25IN/SQR/STD	3 1/4	Square mounting plate	96
66054	ACC/MPLATE/3.25IN/ADJ/STD	3 1/4	Adjustable mounting plate	24
66050	ACC/MPLATE/3.75IN/SQR/STD	3 3/4	Square mounting plate	96
62771	ACC/MPLATE/3.75IN/HANG.BARS/STD	3 3/4	Mounting plate with hanger bars	20
66143	ACC/4/VAPOR BARRIER/STD	4 1/4	Vapor barrier extender	50
62672	ACC/INSULATED BOX/3_4.5/STD	3 to 4 1/2	Insulated box with hanger bars	4



## Trims

Order code	Model number	Type	Finish	Tile (°)	Diameter		Cutting diameter		Compatible mounting plate	Compatible vapor barrier	Case qty (master)
					(in.)	(mm)	(in.)	(mm)			
<b>IC (can be used in insulated ceiling)</b>											
64731	LUMEINA/TRIM/GMB.REC/WH/STD	Gimbal	White	30	3 17/32	90	3	77	66046	66142	50
64735	LUMEINA/TRIM/SQR_RND/GMB/WH/SM/STD	Gimbal	White	70	4 7/16	113	3 1/8	80	66047, 66054	66143	50
64741	LUMEINA/TRIM/GMB.CURVED/WH/STD	Gimbal	White	50	4 11/32	110	3 3/4	95	66050, 62771	66143	50
64742	LUMEINA/TRIM/SQR_RND/GMB/WH/LRG/STD	Gimbal	White	50	4 7/16	113	3 3/4	95	66050, 62771	66143	50
64732	LUMEINA/TRIM/SWR/WH/STD	Shower	White	-	3 17/32	90	3	77	66046	66142	50
64734	LUMEINA/TRIM/D.BAF/WH/STD	Deep baffle	White	-	3 15/16	100	3 1/2	89	66048	66143	50
64736	LUMEINA/TRIM/SQR_RND/REC/WH/STD	Recessed	White	-	3 5/32	80	2 3/4	70	66020, 66021, 66819	66142	50
64737	LUMEINA/TRIM/CURVED/WH/STD	Curved	White	-	3 1/16	78	2 3/4	70	66020, 66021, 66819	66142	50
<b>Non-IC Accessory (not for use in insulated ceiling)</b>											
64743	LUMEINA/TRIMEXT/STD	Trim extension	White	-	1 31/32	50	-	-	-	-	50

Limited quantities available. Please reach out to our sales team or the factory for availability.

Order code	Model number	Type	Color	Diameter		Cutting diameter		Compatible mounting plate	Compatible vapor barrier	Case qty (master)
			Trim / Baffle	(in.)	(mm)	(in.)	(mm)			
<b>Non-IC (not for use in insulated ceiling)</b>										
64738	LUMEINA/TRIM/RFL_WH/STD	Reflector	White / Chrome	3 17/32	90	3	77	66046	66142	50
64739	LUMEINA/TRIM/RFL_SLV/STD	Reflector	Silver / Chrome	3 17/32	90	3	77	66046	66142	50





# LED Ceiling Luminaire

Discover our LED ceiling luminaire line equipped with high quality integrated LED: they are an energy efficient solution with a life rating of 50 000 hours. This line offers a pleasant, dimmable light making a great solution for any general lighting needs. Thanks to

our variety of decorative options you can enjoy direct or indirect lighting fitting seamlessly into any commercial and residential installations.

# LED Traditional CCT Selectable

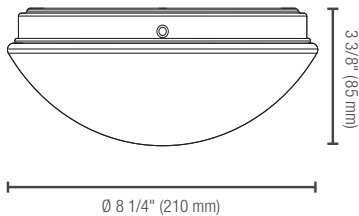
Our Traditional LED Ceiling Luminaire series is available in several sizes and offers the advantage of an integrated color temperature selection. With a classical yet timeless design, our luminaires makes the perfect solution for commercial and decorative applications.



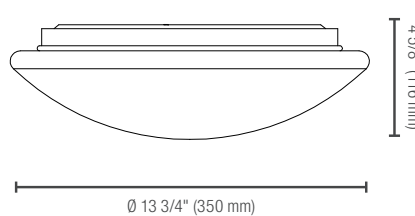
Order code	Model number	Watts (W)	Volts (VAC)	Color temp. (K)	Lumen output (lm)	Efficiency (lm/W)	CRI	Life L70 (hrs)	Beam angle (°)	Shape	Finish	Dimming (Yes/No)	Power factor	Master case qty
<b>3 CCT SELECTABLE</b>														
<b>8"</b>														
68971	CLTD8-R12W-A-3CWH	12	120	2 700/3 000/4 000	1 159	98	80+	50 000	120	Round	White	Yes	≥0.90	12
<b>5 CCT SELECTABLE</b>														
<b>11"</b>														
68972	CLTD11-R20W-A-5CWH	20	120	2 700/3 000/3 500/4 000/5 000	1 500	75	80	50 000	110	Round	White	Yes	≥0.70	8
<b>14"</b>														
68973	CLTD14-R24W-A-5CWH	24	120	2 700/3 000/3 500/4 000/5 000	1 800	75	80	50 000	110	Round	White	Yes	≥0.70	8

## Accessories

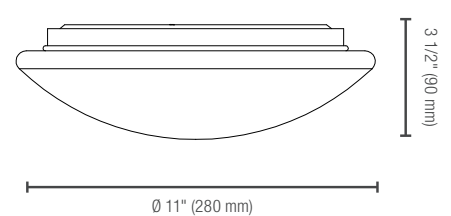
Order code	Model number	Type	Finish	Diameter (in.)	Compatible with	Case qty (master)
68974	LEN-CLTD8	Lens	Frosted	8 1/4	68971	20
68975	LEN-CLTD11	Lens	Frosted	10 7/8	68972	5
68976	LEN-CLTD14	Lens	Frosted	13 3/4	68973	5



8"



14"



11"



# LED Single Ring CCT and Power Selectable

Our Single Ring LED Ceiling Luminaire series is available in several sizes and offers the advantage of an integrated color temperature and power selection. With a brushed nickel decorative ring, our luminaires allow to elegantly enhance any residential or commercial space such as hallway, foyer, bedroom or lobby.

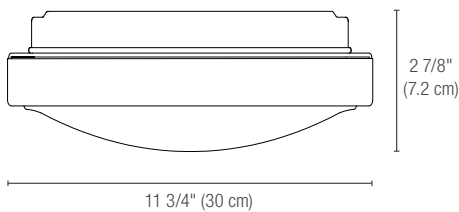


Order code	Model number	Watts (W)	Volts (VAC)	Color temp. (K)	Lumen output (lm)	Efficiency (lm/W)	CRI	Life L70 (hrs)	Tested hours LM-80 (hrs)	Beam angle (°)	Finish	Dimming (Yes/No)	Power factor	Master case qty
<b>5 CCT and 3 Power Selectable</b>														
<b>12"</b>														
70462	CLSR12-PS15W-A-5CBN	8/12/15	120	2700/3000/3500/4000/5000	531/947/1137	66/79/76	80+	>60 000	10 000	120	Brushed Nickel	Yes	>0.9	6
<b>14"</b>														
70463	CLSR14-PS25W-A-5CBN	14/18/25	120	2700/3000/3500/4000/5000	1091/1285/1681	78/71/67	80+	>60 000	10 000	120	Brushed Nickel	Yes	>0.9	6

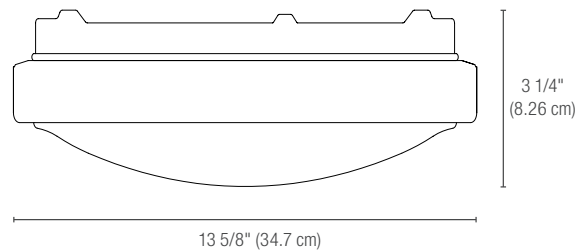
## Accessories

Order code	Model number	Type	Finish	Diameter (in.)	Compatible with	Case qty (master)
68932	LEN-CLSR12-BN	Lens	Frosted	11 3/4"	68929, 70462	10
68933	LEN-CLSR14-BN	Lens	Frosted	13 5/8"	68930, 70463	10

12"



14"





# LED Double Ring CCT and Power Selectable

The Double Ring LED Ceiling Luminaire series is available in several sizes and offers the advantage of an integrated 5 color temperature and 3 power selection. These luminaires will help accentuate any residential or commercial space such as hallway, bedroom or lobby.



Order code	Model number	Watts (W)	Volts (VAC)	Color temp. (K)	Lumen output (lm)	Efficiency (lm/W)	CRI	Life L70 (hrs)	Tested hours LM-80 (hrs)	Beam angle (°)	Finish	Dimming (Yes/No)	Power factor	Master case qty
<b>5 CCT and 3 Power Selectable</b>														
<b>12"</b>														
70466	CLDR12-PS15W-A-5CBN	8/12/15	120	2 700/3 000/3 500/4 000/5 000	640/1 042/1 321	80/87/88	80	>60 000	10 000	120	Brushed Nickel	Yes	≥0.90	6
<b>14"</b>														
70468	CLDR14-PS25W-A-5CBN	14/18/25	120	2 700/3 000/3 500/4 000/5 000	1 171/1 547/1 952	84/86/78	80	>60 000	10 000	120	Brushed Nickel	Yes	≥0.90	6
<b>16"</b>														
70470	CLDR16-PS30W-A-5CBN	18/25/30	120	2 700/3 000/3 500/4 000/5 000	1 478/1 933/2 325	82/77/78	80	> 60 000	10 000	120	Brushed Nickel	Yes	≥0.90	6

## Accessories

Order code	Model number	Type	Finish	Diameter (in.)	Compatible with	Case qty (master)	Figure
70472	12IN REPLACEMENT LENS FOR CLDR12-PS	Lens	Frosted	10 1/8	70466	50	A
70473	14IN REPLACEMENT LENS FOR CLDR14-PS	Lens	Frosted	12 1/2	70468	20	A
70474	16IN REPLACEMENT LENS FOR CLDR16-PS	Lens	Frosted	14 1/8	70470	10	A
69747	6IN STEM SUSP. KIT WITH WIRE FOR CLDR BN	6" Semi-flush stem kit with ground wire extension	Brushed Nickel	4 3/4"	68977, 68978, 68979, 70466, 70468, 70470	50	B

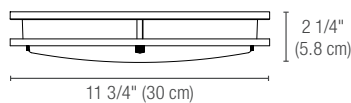


A

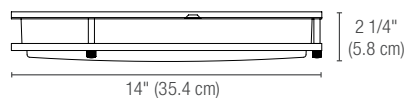


B

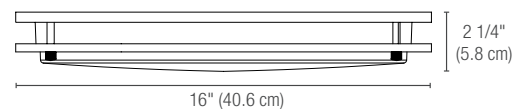
12"



14"



16"



# LED DRUM CCT Selectable



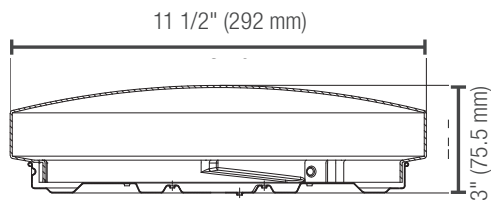
Our Drum LED Ceiling Luminaire series is available in several sizes and offers the advantage of an integrated 5 color temperature selection. With a classical design that never goes out of style, our luminaires make the perfect solution for commercial and residential decorative applications.

Order code	Model number	Watts (W)	Volts (VAC)	Color temp. (K)	Lumen output (lm)	Efficacy (lm/W)	CRI	Life L70 (hrs)	Beam angle (°)	Shape	Finish	Dimming (Yes/No)	Power factor	Master case qty
<b>5 CCT SELECTABLE</b>														
<b>12"</b>														
69099	CLDM12-R15W-A-5CWH	15	120	2 700/3 000/3 500/ 4 000/5 000	1 350	90	80+	50 000	120	Round	White	Yes	≥0.90	4
<b>14"</b>														
69100	CLDM14-R25W-A-5CWH	25	120	2 700/3 000/3 500/4 000/5 000	2 320	93	80+	50 000	120	Round	White	Yes	≥0.90	4

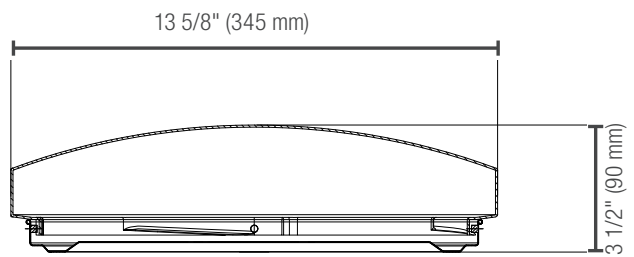
## Accessories

Order code	Model number	Type	Finish	Diameter (in)	Compatible with	Master case qty
69101	LEN-CLDM12	Lens	Frosted	11 1/2	69099	10
69102	LEN-CLDM14	Lens	Frosted	13 5/8	69100	10

12"



14"



# LED Cirka CCT Selectable

Combining a highly efficient illumination with a sleek look and a lightweight slim housing, the CIRKA CCT SELECTABLE luminaire is ideal for any setting. With a selection of 3 built-in color temperatures and available in several sizes, this ceiling luminaire is the perfect solution for commercial and residential applications.



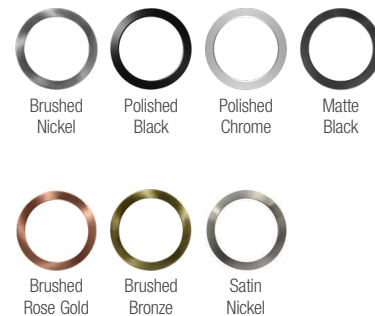
## Round

Order code	Model number	Watts (W)	Volts (VAC)	Color temp. (K)	Lumen output (lm)	Efficiency (lm/W)	CRI	Life L70 (hrs)	Finish	Dimming (Yes/No)	Power factor	THD (%)	Case qty (master)
<b>5"</b>													
68713	CRK5-R6W-A-3CWH	6	120	3 000/4 000/5 000	360	60	80	50 000	White	Yes	0.90	< 40	60
<b>7"</b>													
68714	CRK7-R12W-A-3CWH	12	120	3 000/4 000/5 000	840	70	80	50 000	White	Yes	0.90	< 40	40
<b>9"</b>													
68715	CRK9-R18W-A-3CWH	18	120	3 000/4 000/5 000	1 260	70	80	50 000	White	Yes	0.90	< 40	20
<b>12"</b>													
68716	CRK12-R24W-A-3CWH	24	120	3 000/4 000/5 000	1 920	80	80	50 000	White	Yes	0.90	< 40	10

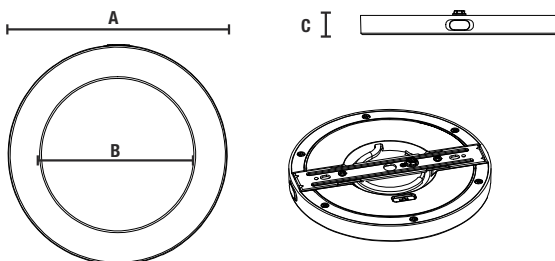
## Accessories

Order code	Model number	Type	Finish	Diameter (in.)	Compatible with	Case qty (master)
69144	5IN CIRKA TRIM MATTE BK	Trim	Matte Black	5"	68713	60
68896	5IN CIRKA TRIM PC	Trim	Polished Chrome	5"	68713	60
68897	5IN CIRKA TRIM SN	Trim	Satin Nickel	5"	68713	60
69145	7IN CIRKA TRIM MATTE BK	Trim	Matte Black	7"	68714	40
68899	7IN CIRKA TRIM PC	Trim	Polished Chrome	7"	68714	40
69146	9IN CIRKA TRIM MATTE BK	Trim	Matte Black	9"	68715	20
68901	9IN CIRKA TRIM BK	Trim	Polished Black	9"	68715	20
68902	9IN CIRKA TRIM PC	Trim	Polished Chrome	9"	68715	20
69147	12IN CIRKA TRIM MATTE BK	Trim	Matte Black	12"	68716	10
68905	12IN CIRKA TRIM PC	Trim	Polished Chrome	12"	68716	10
68906	12IN CIRKA TRIM SN	Trim	Satin Nickel	12"	68716	10
-	RNG-TRM05-BRG	Trim	Brushed Rose Gold	5"	68713	60
-	RNG-TRM05-BB	Trim	Brushed Bronze	5"	68713	60
-	RNG-TRM07-BN	Trim	Brushed Nickel	7"	68714	40
-	RNG-TRM07-BRG	Trim	Brushed Rose Gold	7"	68714	40
-	RNG-TRM07-BB	Trim	Brushed Bronze	7"	68714	40
-	RNG-TRM09-BN	Trim	Brushed Nickel	9"	68715	20
-	RNG-TRM09-BRG	Trim	Brushed Rose Gold	9"	68715	20
-	RNG-TRM09-BB	Trim	Brushed Bronze	9"	68715	20
-	RNG-TRM12-BN	Trim	Brushed Nickel	12"	68716	10
-	RNG-TRM12-BRG	Trim	Brushed Rose Gold	12"	68716	10
-	RNG-TRM12-BB	Trim	Brushed Bronze	12"	68716	10

## Screwless Magnetic Trims



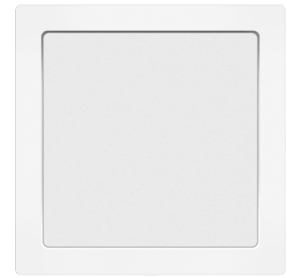
## Dimensions



	5"	7"	9"	12"
A in. (mm)	Ø 5 5/16 (135.4)	Ø 7 1/8 (180.4)	Ø 8 7/8 (225.4)	Ø 11 7/8 (300.4)
B in. (mm)	Ø 3 3/4 (94.4)	Ø 5 1/2 (139.4)	Ø 7 1/4 (184.4)	Ø 10 1/4 (259.4)
C in. (mm)	1/2 (13)	1/2 (13)	1/2 (13)	1/2 (13)
Net weight (lbs)	0.39	0.61	0.88	1.41



# LED Cirka CCT Selectable



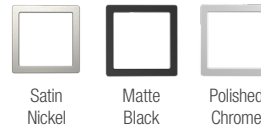
## Square

Order code	Model number	Watts (W)	Volts (VAC)	Color temp. (K)	Lumen output (lm)	Efficiency (lm/W)	CRI	Life L70 (hrs)	Finish	Dimming (Yes/No)	Power factor	THD (%)	Case qty (master)
<b>7"</b>													
68737	CRK7-S12W-A-3CWH	12	120	3 000/4 000/5 000	800	67	80	50 000	White	Yes	0.90	< 40	40
<b>9"</b>													
68738	CRK9-S18W-A-3CWH	18	120	3 000/4 000/5 000	1 200	67	80	50 000	White	Yes	0.90	< 40	20
<b>12"</b>													
68739	CRK12-S24W-A-3CWH	24	120	3 000/4 000/5 000	1 800	75	80	50 000	White	Yes	0.90	< 40	10

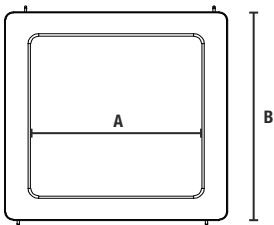
## Accessories

Order code	Model number	Type	Case qty (master)
68740	RNG-TRM7-SQR-SN	7" Satin Nickel trim	40
68741	RNG-TRM7-SQR-BK	7" Matte Black trim	40
68742	RNG-TRM7-SQR-CH	7" Polished Chrome trim	40
68743	RNG-TRM9-SQR-SN	9" Satin Nickel trim	20
68744	RNG-TRM9-SQR-BK	9" Matte Black trim	20
68745	RNG-TRM9-SQR-CH	9" Polished Chrome trim	20
68746	RNG-TRM12-SQR-SN	12" Satin Nickel trim	10
68747	RNG-TRM12-SQR-BK	12" Matte Black trim	10
68748	RNG-TRM12-SQR-CH	12" Polished Chrome trim	10

## Screwless Magnetic Trims



## Dimensions



	7"	9"	12"
A	4 7/8 (125 mm)	6 3/4 (172 mm)	9 5/8 (244.3 mm)
B	6 3/8 (162.9 mm)	8 3/8 (214 mm)	11 3/8 (289 mm)
Net weight (lbs)	0.99	1.5	2.56



# LED EDGELIT 5 CCT Selectable

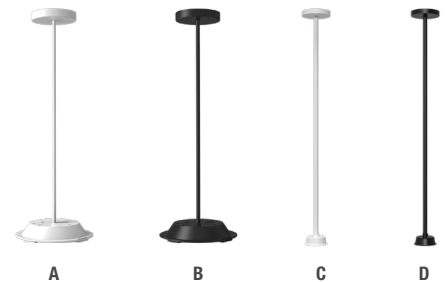
With a minimalist look, our EDGELIT 5 CCT is a versatile solution that blends modern simplicity with well thought-out features. Our luminaire offers the advantage of an integrated 5 color temperature selection as well as different mounting options for the larger luminaires. Enjoy the 16" and 24" luminaire flush mounted (standard) or, semi-flush and pendant when used with our compatible stem kit. Our EDGELIT 5 CCT is an ideal lighting solution for both commercial and decorative residential applications such as kitchens, living rooms, offices and more!



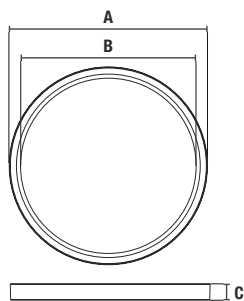
Order code	Model number	Watts (W)	Volts (V AC)	Color temp. (K)	Lumen output (lm)	Efficacy (lm/W)	CRI	Life L70 (hrs)	Tested hours LM-80 (hrs)	Beam angle (°)	Finish	Dimming (Yes/No)	Power factor	Master case qty
<b>5 CCT Selectable</b>														
<b>8"</b>														
70190	CLEG8-R15W-A-5CWH	15	120	2 700/3 000/3 500/4 000/5 000	978	65	80+	54 000	9 000	120	White	Yes	≥0.90	20
<b>12"</b>														
70191	CLEG12-R24W-A-5CWH	24	120	2 700/3 000/3 500/4 000/5 000	1 664	69	80+	54 000	9 000	120	White	Yes	≥0.90	10
<b>16"</b>														
70193	CLEG16-R30W-A-5CWH	30	120	2 700/3 000/3 500/4 000/5 000	1 932	64	80+	54 000	9 000	120	White	Yes	≥0.90	6
70194	CLEG16-R30W-A-5CBK	30	120	2 700/3 000/3 500/4 000/5 000	1 932	64	80+	54 000	9 000	120	Black	Yes	≥0.90	6
<b>24"</b>														
70195	CLEG24-R48W-A-5CWH	48	120	2 700/3 000/3 500/4 000/5 000	2 724	57	80+	54 000	9 000	120	White	Yes	≥0.90	5
70196	CLEG24-R48W-A-5CBK	48	120	2 700/3 000/3 500/4 000/5 000	2 724	57	80+	54 000	9 000	120	Black	Yes	≥0.90	5

## Accessories

Order code	Type	Finish	Length (in.)	Compatible with	Case qty (master)	Figure
69185	Stem suspension kit - adjustable length	White	6 - 53 1/8	70193	10	A
69186	Stem suspension kit - adjustable length	Black	6 - 53 1/8	70194	10	B
70197	Stem suspension kit - adjustable length	White	6 - 59	70195	20	C
70198	Stem suspension kit - adjustable length	Black	6 - 59	70196	20	D

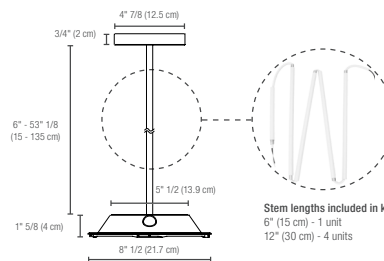


## Luminaire

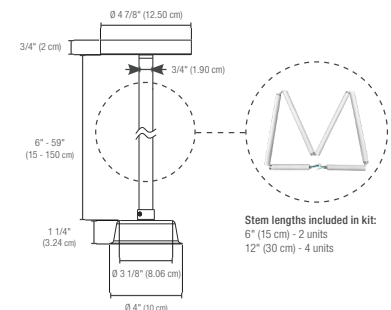


## Stem suspension kit

Compatible for 16"



Compatible for 24"



	8"	12"	16"	24"
A in. (cm)	Ø 8 1/4 (20.80)	Ø 11 1/2 (29.30)	Ø 15 5/8 (39.72)	Ø 23 5/8 (60.00)
B in. (cm)	Ø 6 3/4 (17.24)	Ø 10 1/4 (25.96)	Ø 14 1/8 (36.02)	Ø 21 7/8 (55.44)
C in. (cm)	1 (2.40)	1 (2.40)	1 (2.40)	1 (2.55)
Net weight (lbs)	0.9	1.54	2.75	7.6





# LED MOON CCT Selectable

With its unique aesthetics, our Moon LED Ceiling Luminaire combines a slim and refined design with a delicate uplight halo effect. Adding a decorative touch to the luminaire is possible by opting for the black trim available as accessory. Available in 2 sizes with an integrated 3 color temperature selection, these luminaires can be easily installed on ceiling or wall and are the perfect solution for both residential and commercial applications.

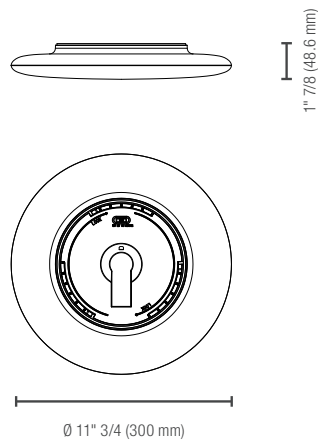


Order code	Model number	Watts (W)	Volts (VAC)	Color temp. (K)	Lumen output (lm)	Efficacy (lm/W)	CRI	Life L70 (hrs)	Beam angle (°)	Shape	Finish	Dimming (Yes/No)	Power factor	Master case qty
<b>3 CCT Selectable</b>														
<b>12"</b>														
69062	CLM012-R18W-A-3CWH	18	120	3 000/4 000/5 000	1 280	71	80+	50 000	120	Round	White	Yes	0.90	10
<b>16"</b>														
69063	CLM016-R30W-A-3CWH	30	120	3 000/4 000/5 000	2 100	70	80+	50 000	120	Round	White	Yes	0.90	5

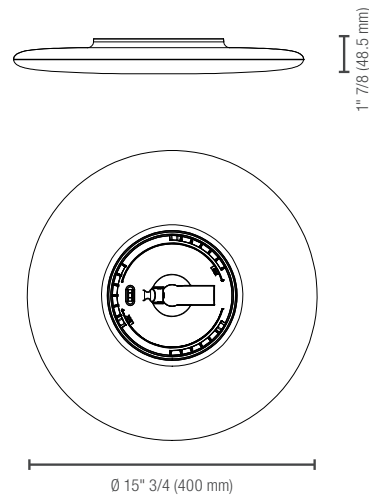
## Accessories

Order code	Model number	Type	Finish	Diameter (in.)	Compatible with	Case qty (master)
69070	12IN MOON TRIM BK	Trim for 12"	Black	12"	69062	10
69071	16IN MOON TRIM BK	Trim for 16"	Black	15" 7/8	69063	10

12"



16"



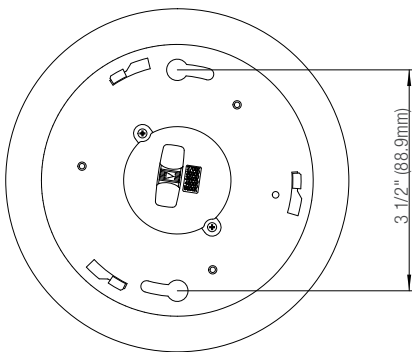
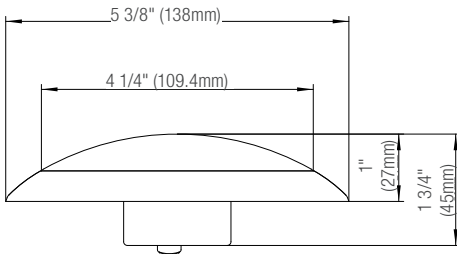
# LED Ceiling Disk Light

The LED Disk CLDK combines exceptional light output with a traditional ceiling look. Installing them directly into a junction box, this fixture is versatile and will fit any application. Offered in 2 sizes and 5 Color temperature selectable, this ceiling luminaire is the perfect solution for commercial and residential applications.

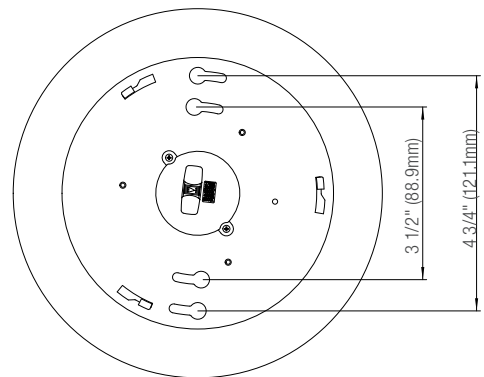
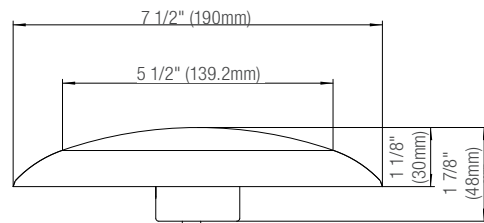


Order code	Model number	Watts (W)	Volts (VAC)	Color temp. (K)	Lumen output (lm)	Efficiency (lm/W)	CRI	Life L70 (hrs)	Shape	Finish	Dimming (Yes/No)	Power factor	THD (%)	Case qty (master)
<b>4"</b>														
70176	CLDK4-G2-R8W-A/5CWH	8	120	2 700 / 3 000 / 3 500 / 4 000 / 5 000	660	83	90+	50 000	Round	White	Yes	>0.9	20	16
<b>6"</b>														
70177	CLDK6-G2-R15W-A/5CWH	15	120	2 700 / 3 000 / 3 500 / 4 000 / 5 000	1 230	82	90+	50 000	Round	White	Yes	>0.9	20	8

**4"**



**6"**



# Tri-Level Motion Sensor

The Tri-Level Motion Sensor LED Ceiling Luminaire is a point of reference when it comes to efficient energy consumption. This programmable LED ceiling luminaire offers vast energy savings not only by using LED technology, but also by allowing the user to control the light levels and consumption when the area is not occupied. With lighting that must be on 24/7, property managers have little choices when trying to reduce energy consumption. Our Tri-Level Motion Sensor LED Ceiling Luminaires is the perfect solution to maximize energy savings by intelligently managing illumination levels to avoid wasting energy.

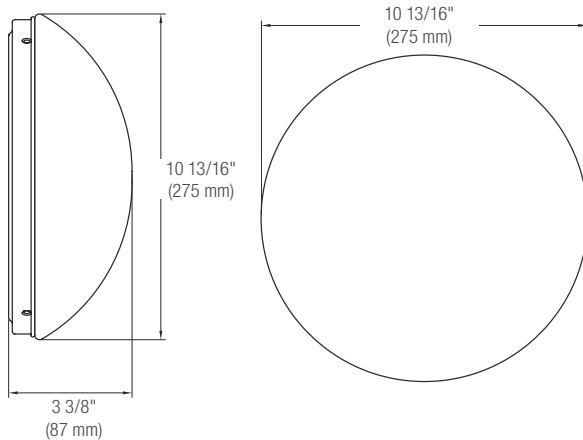


Order code	Model number	Watts (W)	Volts (VAC)	Color temp. (K)	Lumen (lm)	Efficiency (lm/W)	CRI	Life L70 (hrs)	Tested hours LM-80 (hrs)	Shape	Finish	Sensor type	Dimming (Yes/No)	Power factor	THD (%)	Case qty (master)
68367	CTL11-R15A/40KWH	15	120	4 000	1 100	75	>80	50 000	10 000	Round	White	High-Frequency	No	>0.9	<40%	4
68368	CTL11-R15A/40KBN	15	120	4 000	1 100	75	>80	50 000	10 000	Round	Brushed Nickel	High-Frequency	No	>0.9	<40%	4

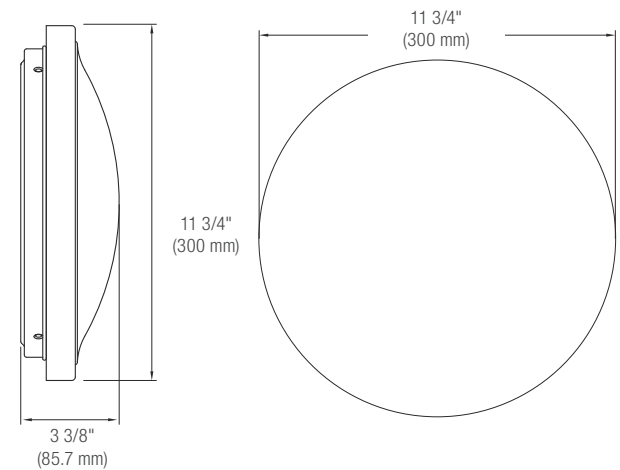
## ACCESSORIES

Order code	Model number	Type	Finish	Diameter (in)	Compatible with	Master case qty
68932	LEN-CLSR12-BN	Lens	Frosted	11 3/4	68368, 68929	10

### 68367



### 68368



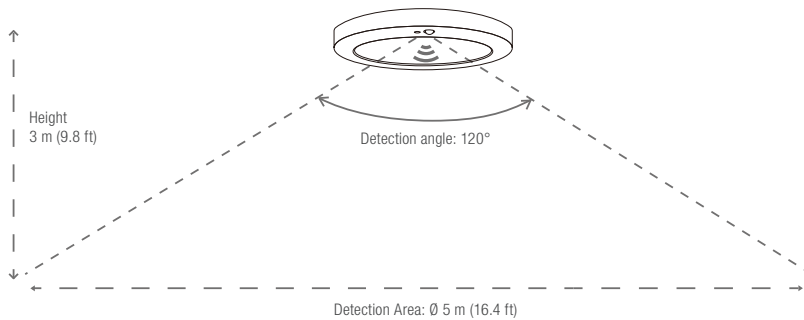
# LED Motion Sensor EDGELIT CCT Selectable

The EDGELIT Motion Sensor LED ceiling luminaire features a slim design allowing for a modern and minimalist look. It is an ideal solution to help illuminate a space effortlessly and conveniently as the luminaire intelligently responds to both motion and light conditions, all while benefiting from energy savings. Perfect for all types of applications such as kitchen pantry, closets, laundry rooms, or even a hallway.

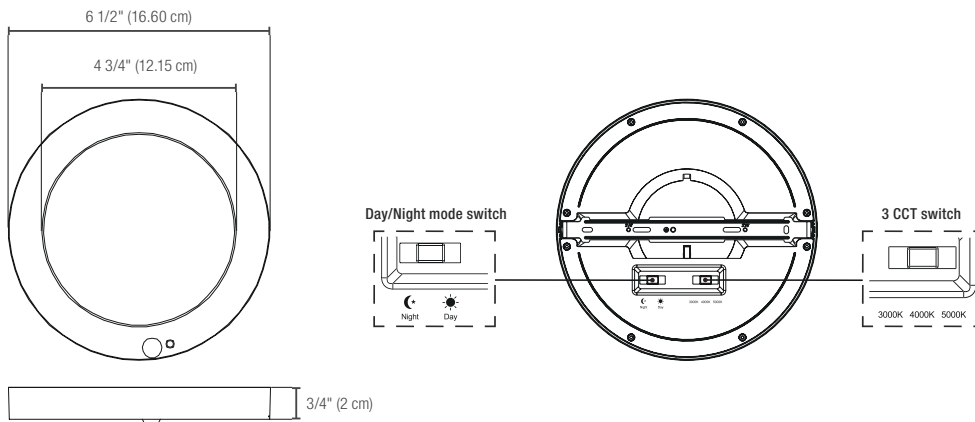


Order code	Model number	Watts (W)	Volts (V AC)	Color temp. (K)	Lumen output (lm)	Efficacy (lm/W)	CRI	Life L70 (hrs)	Tested hours LM-80 (hrs)	Beam angle (°)	Finish	Photocell (Yes/No)	Dimming (Yes/No)	Power factor	Master case qty
<b>3 CCT Selectable</b>															
70119	CLEL7-R12W-A-3CWH-MS	12	120	3 000/4 000/5 000	806	67	80+	54 000	9 000	120	White	Yes	No	>0.8	40

## Sensor Detection Coverage



## Dimensions



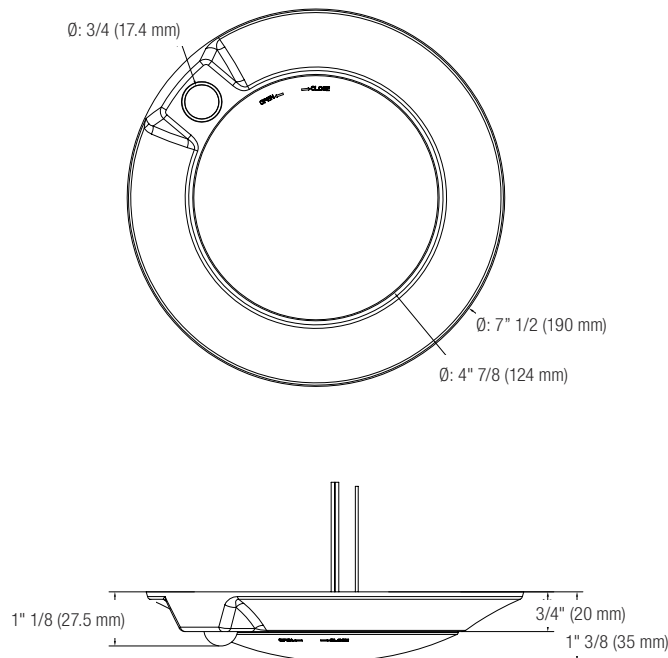
# LED Motion Sensor Disk Light



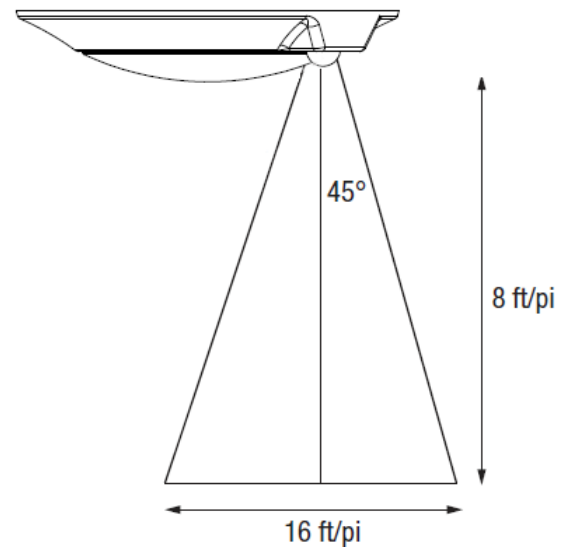
Our LED Motion Sensor Disk Light with embedded PIR (Passive Infrared) sensor offers a practical and cost efficient solution. This luminaire helps save energy by automatically turning on when motion is detected and off when there is no motion. Installation is simple and the luminaire will easily fit any type of application from a kitchen pantry, a closet, storage room, a laundry room, attics – even a hallway!

Order code	Model number	Watts (W)	Volts (VAC)	Color temp. (K)	Lumen output (lm)	Efficiency (lm/W)	CRI	Life L70 (hrs)	Beam angle (°)	Housing finish	Lens finish	Dimmable (Yes/No)	Power Factor	Case qty (master)
<b>7"</b>														
68378	CLDKMS7-R14W-A/40WH	14	120	4 000	1 000	70	80+	50 000	100	White	Frosted	No	>0.90	24

## Dimensions



## Detection Area





# Track Systems

Projectors are used for accent lighting in just about any setting. Its purpose is to make a particular element, such as an architectural detail, a work of art or a showcased product stand out from

everything around it. The versatility of being able to remove, relocate and redirect these luminaires, allow for the flexibility to adjust your lighting needs as required.



# BLOOM LED TRACK HEAD 5 CCT and 3 Power selectable

BLOOM is ideal for accent and display lighting. Designed for flexibility and performance, BLOOM delivers high lumen output with exceptional color accuracy, ensuring your lighting always looks its best. Available in 5 CCT (2 700/3 000/3 500/4 000/5 000 K) and 3 power selectable, BLOOM adapts effortlessly to any environment, reducing inventory while maximizing versatility.



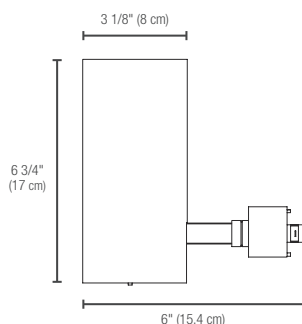
Order code	Model number	Watts	Volts	Color temp.	Lumen output	Efficiency	CRI	Life L70	Beam angle	Finish	Power factor	THD	Master case qty
		(W)	(VAC)	(K) <sup>1</sup>	(lm) <sup>2</sup>	(lm/W)		(hrs) <sup>3</sup>	(°)		(%)	(%)	
70407	TLB-PS30-AJ-5CWH	10/20/30	120	2 700/3 000/3 500/4 000/5 000	780/1 580/2 450	80	90+	50 000	38 (18/25)	White	>0.9	<20	12
70408	TLB-PS30-AJ-5CBK	10/20/30	120	2 700/3 000/3 500/4 000/5 000	780/1 580/2 450	80	90+	50 000	38 (18/25)	Black	>0.9	<20	12
70409	TLB-PS50-AJ-5CWH	30/40/50	120	2 700/3 000/3 500/4 000/5 000	2 100/3 100/4 100	80	90+	50 000	38 (25/60)	White	>0.9	<20	12
70410	TLB-PS50-AJ-5CBK	30/40/50	120	2 700/3 000/3 500/4 000/5 000	2 100/3 100/4 100	80	90+	50 000	38 (25/60)	Black	>0.9	<20	12

<sup>1</sup> Typical color temperature range: +/- 5 %.

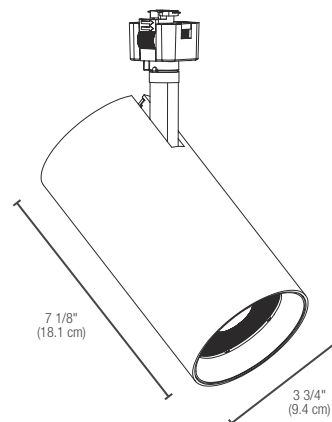
<sup>2</sup> Lumen values are derived from photometric testing. Initial lumens range: +/- 10 %.

<sup>3</sup> Life hours are derived from IESNA LM-80 testing report and projected per IESNA TM-21 extrapolations.

## 70407/70408



## 70409/70410



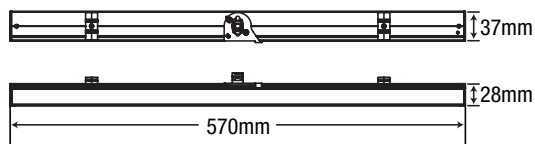
# LED TLL series

The TLL is a newly developed LED track linear utilizing modern day LED. It provides highly efficient illumination and it comes with J & J2 style track adapter. The TLL can be used to add general lighting along with regular track heads. It's slim housing allows it to be installed in restricted areas such as coves and also display application. Available in 2 foot and 4 foot comes with a diffused lens.

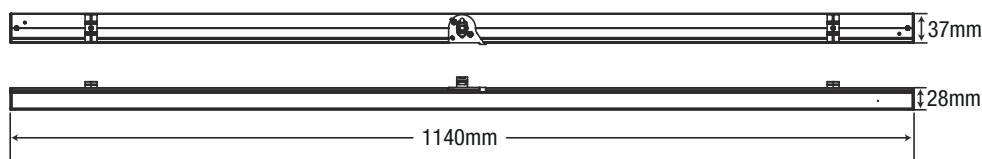


Part number	Watts (W)	Volts (VAC)	Color temp. (K)	Lumen (lm)	Efficiency (lm/W)	Lens finish	CRI	Life L70 (hrs)	Finish	Power factor	THD (%)	Case qty (master)
<b>2'</b>												
TLL2-183080DU-AJWH	18	120	3 000	1 612	90	Frosted lens diffused	80+	50 000	White	>0.9	<20	20
TLL2-183580DU-AJWH	18	120	3 500	1 612	90	Frosted lens diffused	80+	50 000	White	>0.9	<20	20
TLL2-184080DU-AJWH	18	120	4 000	1 708	95	Frosted lens diffused	80+	50 000	White	>0.9	<20	20
<b>4'</b>												
TLL4-363080DU-AJWH	36	120	3 000	3 246	90	Frosted lens diffused	80+	50 000	White	>0.9	<20	20
TLL4-363580DU-AJWH	36	120	3 500	3 246	90	Frosted lens diffused	80+	50 000	White	>0.9	<20	20
TLL4-364080DU-AJWH	36	120	4 000	3 440	96	Frosted lens diffused	80+	50 000	White	>0.9	<20	20

2'



4'



# Traditional Track heads

Gimbal style track heads are easily adjustable and provide flexibility in terms of lamp technology and style. It can be paired with a wide selection of compatible LED lamps including our LED All glass reflector lamps that replicate the look of a halogen type lamp.

Order code	Max lamp wattage (W)	Input voltage (VAC)	Housing finish	Connector type	Compatible lamp
<b>PAR LAMP HOLDER</b>					
<b>Gimbal type</b>					
TG05N-N0250-A-J-BK	250	120	Black	J style	PAR38
TG05N-N0250-A-J-WH	250	120	White	J style	PAR38
TG07N-N0075-A-J-BK	75	120	Black	J style	PAR30SN
TG07N-N0075-A-J-WH	75	120	White	J style	PAR30SN
TG08N-N0050-A-J-BK	50	120	Black	J style	PAR20
TG08N-N0050-A-J-WH	50	120	White	J style	PAR20

## UNIVERSAL LAMP HOLDER <sup>1</sup>

### TL95 - Mini Adjustable side swivel

TL95-N0250-A-J-BK	-	120	Black	J style	Any E26 base lamp
TL95-N0250-A-J-WH	-	120	White	J style	Any E26 base lamp

### TL10 - Adjustable socket and side swivel

TL10-N0250-A-J-BK	-	120	Black	J style	Any E26 base lamp
TL10-N0250-A-J-WH	-	120	White	J style	Any E26 base lamp



TG05N



TG07N



TG08N



TL95



TL10



PAR20



PAR30



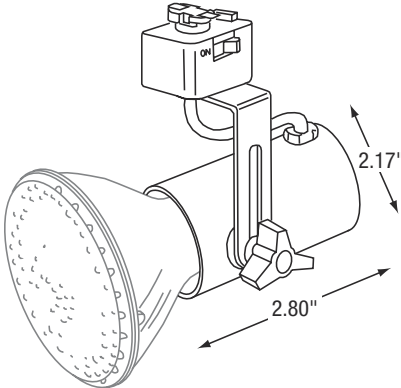
PAR38

<sup>1</sup> "L" and "H" style are available as options.  
Notes: All track heads come standard with "J" style adaptors.

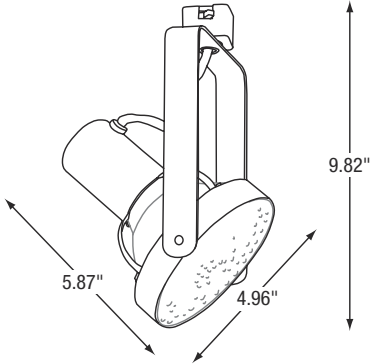


# Dimensions

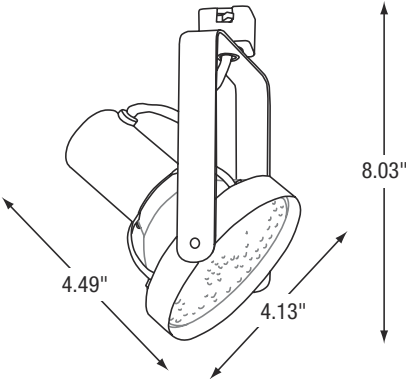
TL95



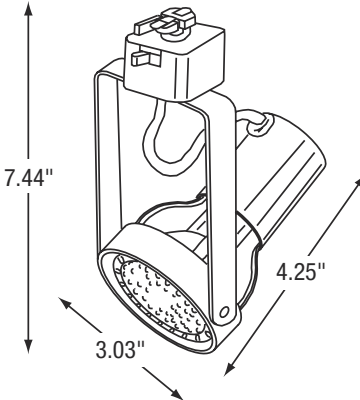
TG05N



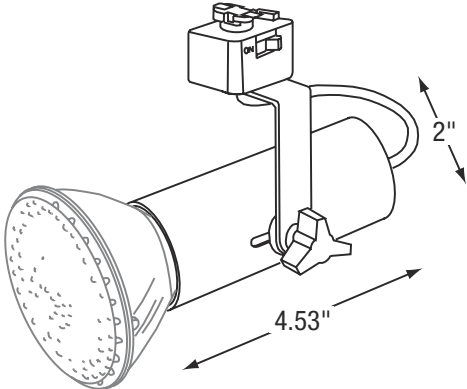
TG07N



TG08N



TL10



# Tracks & Accessories

Order code	Product type	Color	Connector type
<b>Accessories</b>			
ST22-WH	Mini-connector conductive J track single circuit	White	J style
ST22-BK	Mini-connector conductive J track single circuit	Black	J style
ST23-WH	Three way joiner L shape for J track	White	J style
ST23-BK	Three way joiner L shape for J track	Black	J style
ST24-WH	T-connector for J track	White	J style
ST24-BK	T-connector for J track	Black	J style
ST25-WH	X-connector for J track	White	J style
ST25-BK	X-connector for J track	Black	J style
ST26-WH	Floating feed for J track	White	J style
ST26-BK	Floating feed for J track	Black	J style
ST28-WH	Flexible connector 35-325 degrees for J track	White	J style
ST28-BK	Flexible connector 35-325 degrees for J track	Black	J style
ST33-WH	Grounded outlet for J track	White	J style
ST33-BK	Grounded outlet for J track	Black	J style
ST34-WH	Track utility hook	White	J style
ST34-BK	Track utility hook	Black	J style
ST38-WH	End feed top access for J track	White	J style
ST38-BK	End feed top access for J track	Black	J style

Order code	Length (ft)	Input voltage (VAC)	Color	Connector type
<b>Tracks<sup>1</sup></b>				
STJ2-WH	2	120	White	J style
STJ2-BK	2	120	Black	J style
STJ4-WH	4	120	White	J style
STJ4-BK	4	120	Black	J style
STJ6-WH	6	120	White	J style
STJ6-BK	6	120	Black	J style
STJ8-WH	8	120	White	J style
STJ8-BK	8	120	Black	J style
STJ12-WH	12	120	White	J style
STJ12-BK	12	120	Black	J style



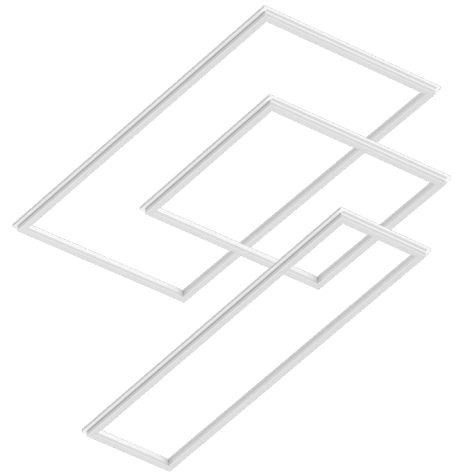
Tracks



<sup>1</sup> Available also in 2 circuits.

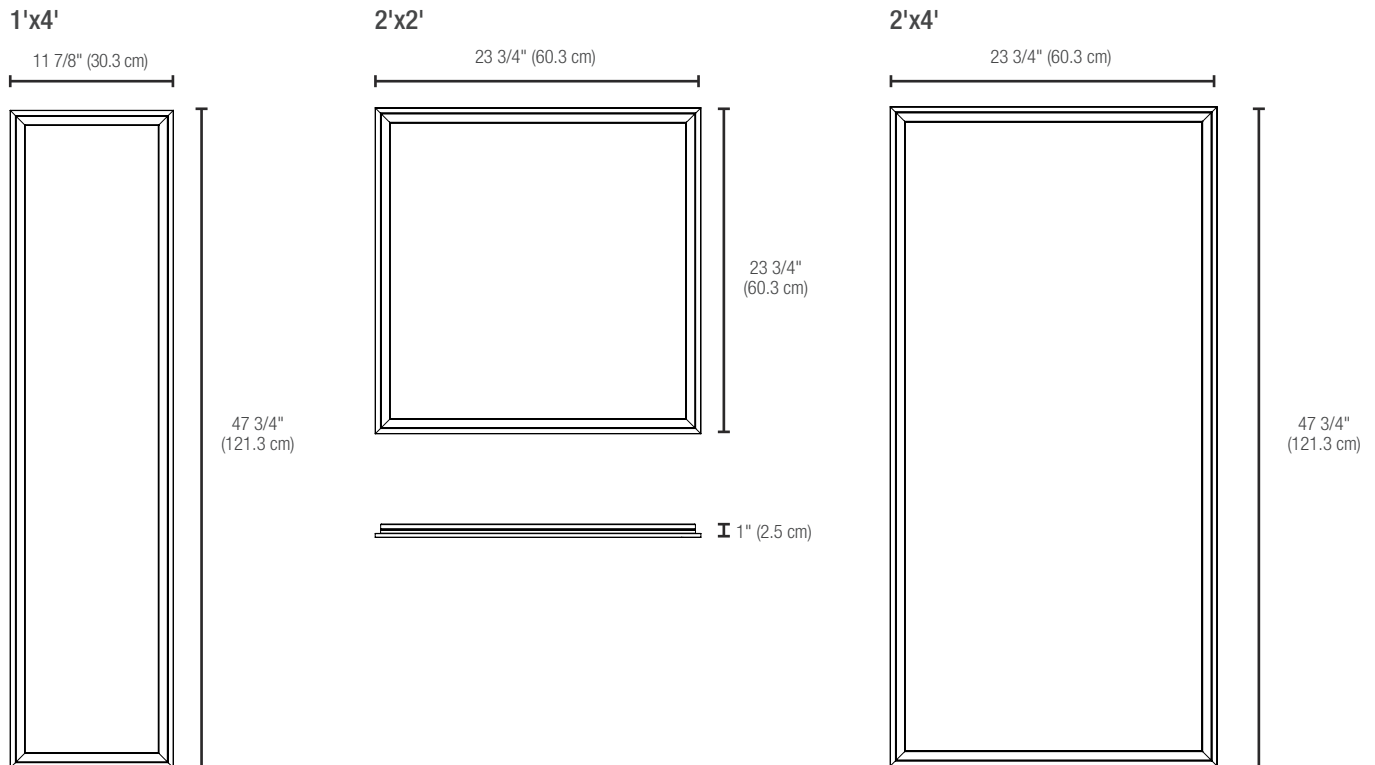
# L3FRM LED Frame Light

The L3FRM series redefines recessed commercial lighting by offering a modern and subdued lighting solution, all within a sleek and pre-assembled frame design. These innovative luminaires can elevate the look of a wide variety of applications such as offices, hospitality and retail spaces.



Order code	Model number	Watts (W)	Volts (VAC)	Color temp. (K)	Lumen output (lm)	Efficacy (lm/W)	CRI	Life L70 (hrs)	Tested hours LM-80 (hrs)	Dimming (Yes/No)	Power factor	THD (%)	Master case qty
<b>1'x4'</b>													
70549	L3FRM-1LPS40-Q/5C	20/25/30/35/40	120-347	3 000/3 500/4 000/5 000/6 500	2 607/3 225/3 842/4 397/4 975	130	80+	>100 000	9 000	Yes	0.90	<20	2
<b>2'x2'</b>													
70550	L3FRM-2LPS40-Q/5C	20/25/30/35/40	120-347	3 000/3 500/4 000/5 000/6 500	2 620/3 234/3 954/4 385/4 942	132	80+	>100 000	9 000	Yes	0.90	<20	2
<b>2'x4'</b>													
70551	L3FRM-4LPS50-Q/5C	30/35/40/45/50	120-347	3 000/3 500/4 000/5 000/6 500	3 750/4 213/4 883/5 272/5 882	133	80+	>100 000	9 000	Yes	0.90	<20	2

## Dimensions





# SKYWALK LED Architectural Recessed Luminaire



1'x4'



2'x2'



2'x4'

Order code	Model number	DLC unique ID	Watts (W)	Volts (VAC)	Color temp. (K)	Lumen output (lm)	Efficacy (lm/W)	CRI	Life L70 (hrs)	Tested hours LM-80 (hrs)	Dimming (Yes/No)	Power factor	THD (%)	Master case qty
<b>DLC Standard</b>														
<b>1'x4'</b>														
69341	L3PNA-1LPS35-Q/3C	S-U04Q9G	25/30/35	120-347	3 500/4 000/5 000	2 750/3 300/3 850	110	83	176 000	10 000	Yes	>0.9	<20	2
<b>DLC Premium</b>														
<b>2'x2'</b>														
69344	L3PNA-2LPS35P-Q/3C	S-6H3EF2	25/30/35	120-347	3 500/4 000/5 000	3 125/3 750/4 375	125	83	176 000	10 000	Yes	>0.9	<20	2
<b>2'x4'</b>														
69345	L3PNA-4LPS50P-Q/3C	S-MU3LKH	30/40/50	120-347	3 500/4 000/5 000	3 750/5 000/6 250	125	83	176 000	10 000	Yes	>0.9	<20	2

## Accessories

Order code	Type	Compatible with
63490	Drywall kit	1'x4'
67164	Drywall kit	2'x2'
63491	Drywall kit	2'x4'



FRONT VIEW

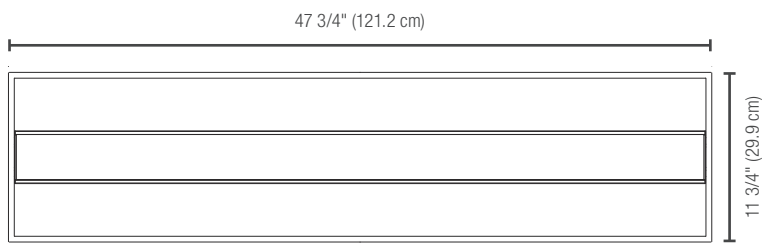


BACK VIEW

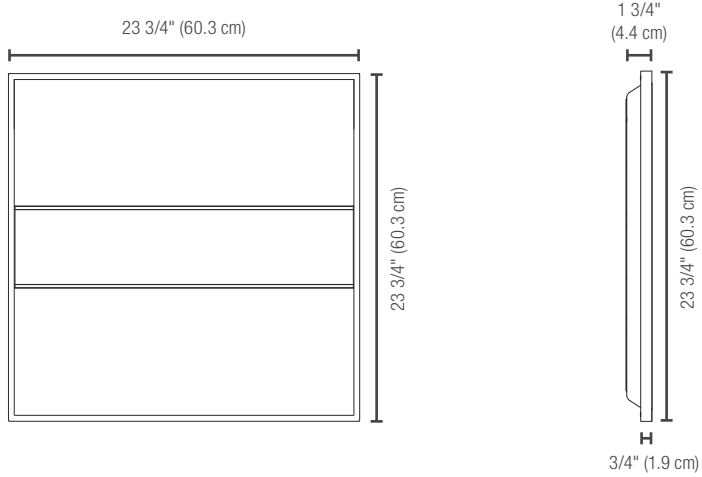


## Dimensions

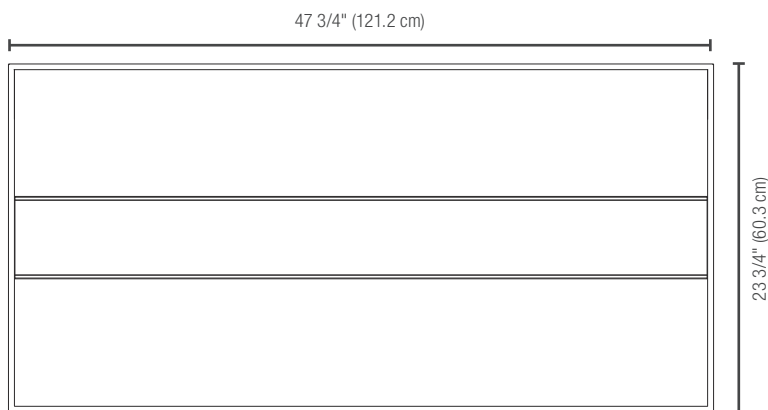
1'x4'



2'x2'

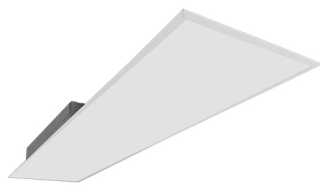


2'x4'

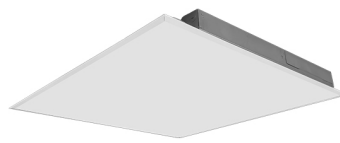


# L3PNV CHOICE LED Backlit Panel

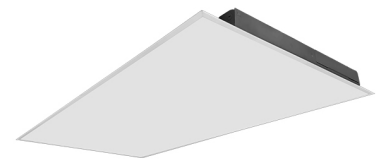
The L3PNV LED panel lights utilize next-generation back-lit technology, ensuring high performance, superior uniformity and reduced glare. With the 5 colour temperature and 5 power selectable feature, L3PNV series is a cost-effective solution for reducing stocking inventory. The sleek trim design provides a modern frameless look in recessed ceilings, makes it an ideal replacement for traditional fluorescent fixtures in offices, schools and commercial buildings.



1'x4'



2'x2'



2'x4'

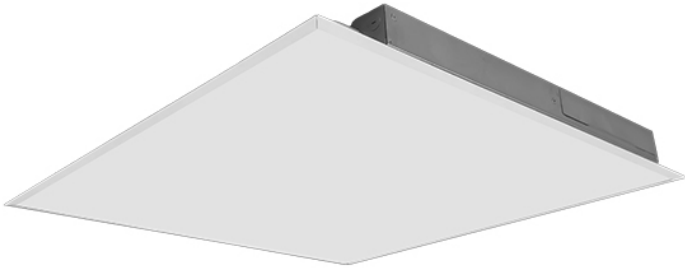
Order code	Model number	DLC unique ID	Watts (W)	Volts (V AC)	Color temp. (K)	Lumen output (lm)	Efficacy (lm/W)	CRI	Life L70 (hrs)	Tested hours LM-80 (hrs)	Dimming (Yes/No)	Power factor (%)	THD (%)	Case qty (master)
<b>1'x4'</b>														
70010	L3PNV-1LPS40-Q/5C/CHOICE	S-H84KS2	20/25/30/35/40	120-347	3 000/3 500/4 000/ 5 000/6 500	2 288/2 955/3 585/ 4 025/4 477	110	≥80	174 000	10 000	Yes	0.9	<20	2
<b>2'x2'</b>														
70011	L3PNV-2LPS40-Q/5C/CHOICE	S-WQWNG5	20/25/30/35/40	120-347	3 000/3 500/4 000/ 5 000/6 500	2 226/2 882/3 488/ 3 938/4 397	110	≥80	174 000	10 000	Yes	0.9	<20	2
<b>2'x4'</b>														
70012	L3PNV-4LPS50-Q/5C/CHOICE	S-78LZ77	30/35/40/45/50	120-347	3 000/3 500/4 000/ 5 000/6 500	3 639/4 074/4 494/ 5 130/5 526	110	≥80	174 000	10 000	Yes	0.9	<20	2

## Accessories

Order code	Type	Compatible with
63490	Drywall Kit	1'x4'
67164	Drywall Kit	2'x2'
63491	Drywall Kit	2'x4'
68455	Surface Mount Kit	1'x4'
68456	Surface Mount Kit	2'x2'
68457	Surface Mount Kit	2'x4'
68458	Suspension Kit	1'x4', 2'x2', 2'x4'



FRONT VIEW

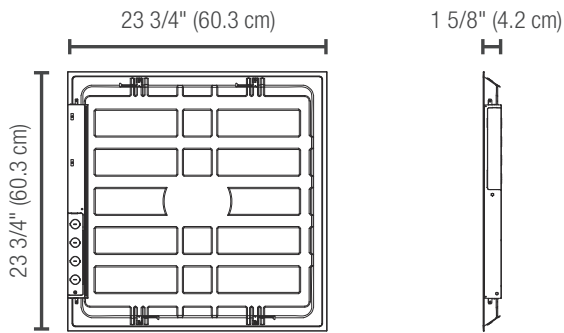


BACK VIEW

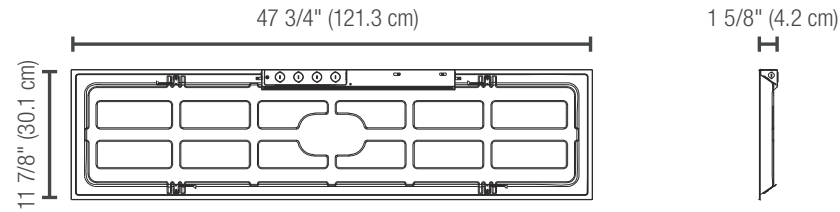


## Dimensions

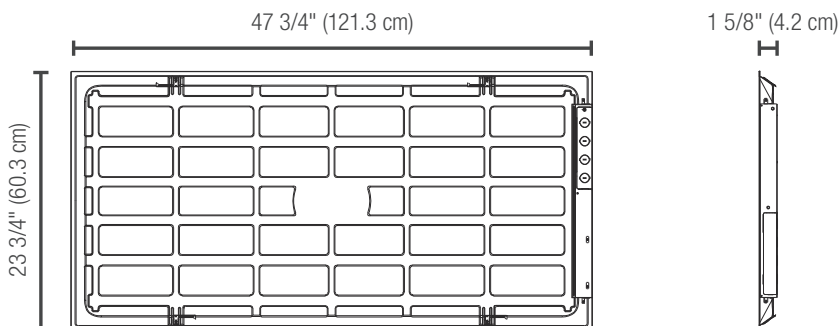
2'x2'



1'x4'



2'x4'



# L3PNB LED Backlit Panel



1'x4'



2'x2'



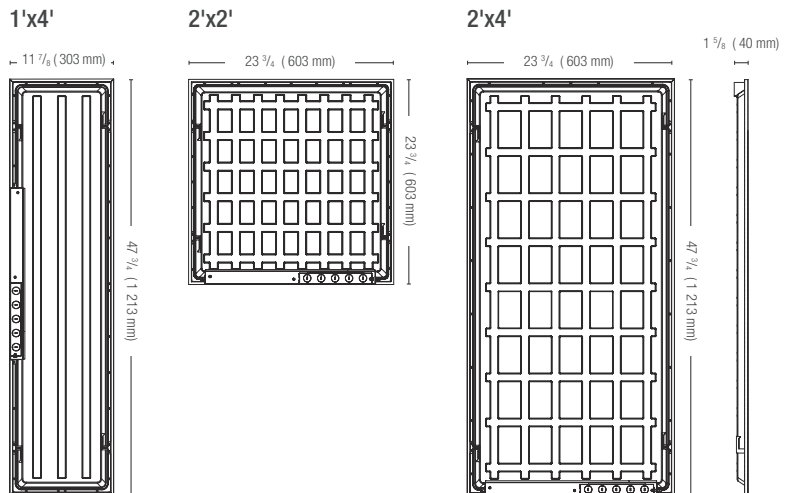
2'x4'

Order code	Model number	DLC unique ID	Watts (W)	Volts (VAC)	Color temp. (K)	Lumen output (lm)	Efficiency (lm/W)	CRI	Life L70 (hrs)	Dimming (Yes/No)	Power factor	THD (%)	Case qty (master)
<b>1'x4'</b>													
70181	L3PNB-G2-1LPS40P-Q/3C	S-881NQG	20/30/40	120-347	3 500/4 000/5 000	2 750/4 000/5 100	127	82+	120 000	Yes	0.9	20	2
<b>2'x2'</b>													
70182	L3PNB-G2-2LPS40P-Q/3C	S-TBK60S	20/30/40	120-347	3 500/4 000/5 000	2 750/4 000/5 100	127	82+	120 000	Yes	0.9	<20	2
<b>2'x4'</b>													
70183	L3PNB-G2-4LPS50P-Q/3C	S-N934V8 S-4WWTQQ	30/40/50	120-347	3 500/4 000/5 000	4 100/5 400/6 600	132	82+	120 000	Yes	0.9	<20	2

## Accessories

Order code	Type	Compatible with
63490	Drywall Kit	1'x4'
67164	Drywall Kit	2'x2'
63491	Drywall Kit	2'x4'
68455	Surface Mount Kit	1'x4'
68456	Surface Mount Kit	2'x2'
68457	Surface Mount Kit	2'x4'
68458	Suspension Kit	1'x4', 2'x2', 2'x4'

## Dimensions



# L3CBA

## LED Center Basket



1'x4'



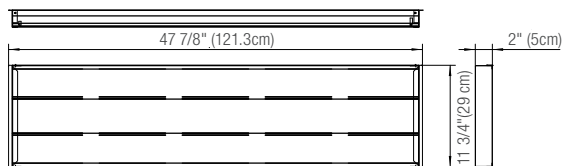
2'x2'



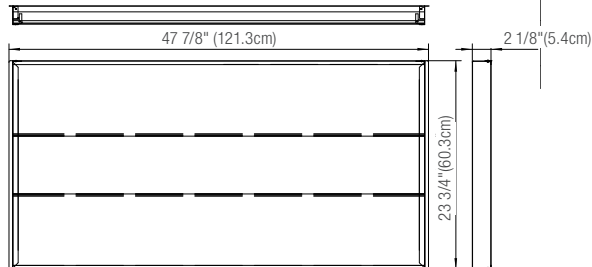
2'x4'

Order code	Model number	DLC unique ID	Watts (W)	Volts (VAC)	Color temp. (K)	Lumen output (lm)	Efficacy (lm/W)	CRI	Life L70 (hrs)	Dimming (Yes/No)	Power factor	THD (%)	Master case qty
<b>1'x4'</b>													
69161	L3CBA-1LPS30P-Q/3C	S-HCXGK6	20/25/30	120-347	3 500/4 000/5 000	2 660/3 250/3 810	125	80+	189 000	Yes	0.90	10	2
<b>2'x2'</b>													
69162	L3CBA-2LPS35P-Q/3C	S-FZS5E9	25/30/35	120-347	3 500/4 000/5 000	3 300/3 870/4 410	125	80+	189 000	Yes	0.90	10	2
<b>2'x4'</b>													
69163	L3CBA-4LPS45P-Q/3C	S-3IMJBY	34/38/45	120-347	3 500/4 000/5 000	4 794/5 244/6 075	125	80+	189 000	Yes	0.90	10	2

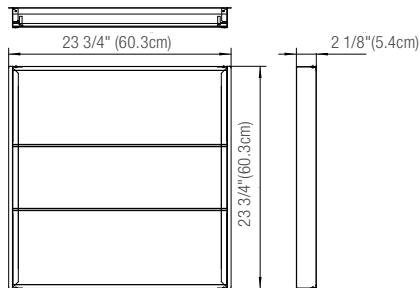
1'x4'



2'x4'



2'x2'



### Accessories

Order code	Type
70184	Surface mount kit 1'x4'
70185	Surface mount kit 2'x2'
70186	Surface mount kit 2'x4'
63490	Dry wall kit for 1'x4'
67164	Dry wall kit for 2'x2'
63491	Dry wall kit for 2'x4'



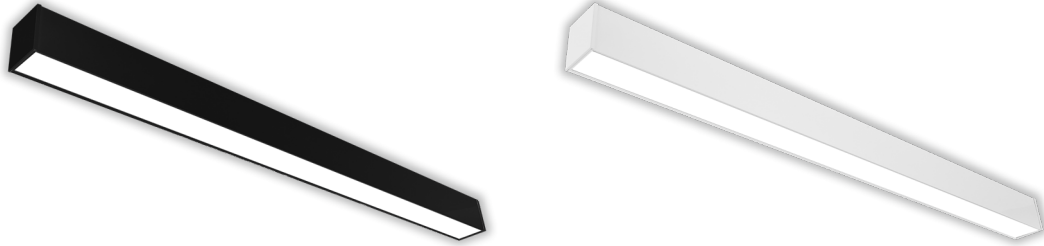




# LED Linear

Our linear line is the best choice to replace traditional fluorescent strip luminaires with our integrated LED solutions. Modernize your application with these efficient alternatives to traditional technology.

# LED Linear KOLIKA - L1KCL GEN.2



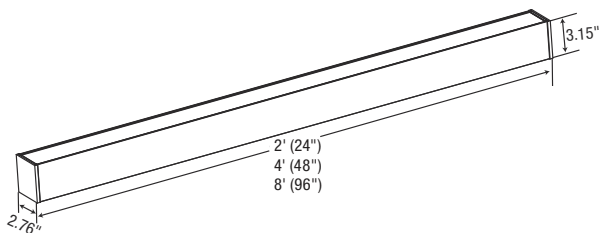
The L1KCL GEN. 2 is a LED suspended fixture that was made with time constraints in mind. Sleek and modern it is offered in standard lengths of 2', 4' and 8', available in white and black and equipped with color temperature selectable. The fixture can be connected in continuous straight row system or create different shapes and configurations using corner connectors accessories providing linear illumination.

Order code	Model number	DLC Unique ID	Watts (W)	Volts (VAC)	Colour temp. (K)	Lumen Output (lm)	Efficiency (lm/W)	CRI	Life L70 (hrs)	Tested LM-80 (hrs)	Finish	Power factor	THD (%)	Case qty (master)
<b>2'</b>														
<b>Direct</b>														
69604	L1KCL-G2-2LS1-3C-WH	S-DZMZCH	20	120-277	3 000/3 500/4 000	2 300 <sup>4</sup>	115	80+	137 000	9 000	White	>0.9	<15	4
69605	L1KCL-G2-2LS1-3C-BK	N/A	20	120-277	3 000/3 500/4 000	2 300	115	80+	137 000	9 000	Black	>0.9	<15	4
<b>Direct/Indirect</b>														
69606	L1KCL-G2-2LS1U-3C-WH	N/A	20	120-277	3 000/3 500/4 000	2 400 <sup>5</sup>	120	80+	137 000	9 000	White	>0.9	<15	4
69607	L1KCL-G2-2LS1U-3C-BK	N/A	20	120-277	3 000/3 500/4 000	2 300 <sup>5</sup>	115	80+	137 000	9 000	Black	>0.9	<15	4
<b>4'</b>														
<b>Direct</b>														
68575 <sup>6</sup>	L1KCL-G2-4LS1-3C-WH	N/A	25	120-277	3 000/3 500/4 000	3 026	121	80+	137 000	9 000	White	>0.9	<15	6
68576	L1KCL-G2-4LS2-3C-WH	S-PHBN72	40	120-277	3 000/3 500/4 000	4 600 <sup>4</sup>	115	80+	137 000	9 000	White	>0.9	<15	6
68577	L1KCL-G2-4LS2-3C-BK	N/A	40	120-277	3 000/3 500/4 000	4 844	121	80+	137 000	9 000	Black	>0.9	<15	6
<b>Direct/Indirect</b>														
68578	L1KCL-G2-4LS2U-3C-WH	N/A	40	120-277	3 000/3 500/4 000	5 000 <sup>5</sup>	125	80+	137 000	9 000	White	>0.9	<15	6
68579	L1KCL-G2-4LS2U-3C-BK	N/A	40	120-277	3 000/3 500/4 000	4 800 <sup>5</sup>	120	80+	137 000	9 000	Black	>0.9	<15	6
<b>8'</b>														
<b>Direct</b>														
68580	L1KCL-G2-8LS1-3C-WH	S-2M4KCN	80	120-277	3 000/3 500/4 000	9 200 <sup>4</sup>	115	80+	137 000	9 000	White	>0.9	<15	4
68581	L1KCL-G2-8LS1-3C-BK	N/A	80	120-277	3 000/3 500/4 000	9 760	122	80+	137 000	9 000	Black	>0.9	<15	4
<b>Direct/Indirect</b>														
68582	L1KCL-G2-8LS1U-3C-WH	N/A	80	120-277	3 000/3 500/4 000	10 000 <sup>5</sup>	125	80+	137 000	9 000	White	>0.9	<15	4
68583	L1KCL-G2-8LS1U-3C-BK	N/A	80	120-277	3 000/3 500/4 000	9 600 <sup>5</sup>	120	80+	137 000	9 000	Black	>0.9	<15	4

## ACCESSORIES (order separately)

Order code	Model number	Type	Compatible with
68584	KIT-CK2	Continuous kit for row mounting	L1KCL Gen2 Only
69097	KIT-CANOPY-WH	Canopy Kit with suspension cable	L1KCL Gen2 Only
69098	KIT-CANOPY-BK	Canopy Kit with suspension cable	L1KCL Gen2 Only
69608	L1KCL-G2-L90CON-LS1-WH	L corner connector	L1KCL Gen2 Only
69609	L1KCL-G2-L90CON-LS1-BK	L corner connector	L1KCL Gen2 Only
69610	L1KCL-G2-TCON-LS1-WH	T corner connector	L1KCL Gen2 Only
69611	L1KCL-G2-TCON-LS1-BK	T corner connector	L1KCL Gen2 Only
69612	L1KCL-G2-XCON-LS1-WH	X corner connector	L1KCL Gen2 Only
69613	L1KCL-G2-XCON-LS1-BK	X corner connector	L1KCL Gen2 Only
69614	L1KCL-G2-YCON-LS1-WH	Y corner connector	L1KCL Gen2 Only
69615	L1KCL-G2-YCON-LS1-BK	Y corner connector	L1KCL Gen2 Only
69616	L1KCL-G2-120CON-LS1-WH	120-degree corner connector	L1KCL Gen2 Only
69617	L1KCL-G2-120CON-LS1-BK	120-degree corner connector	L1KCL Gen2 Only

\* Please ensure to order a new kit for every fixture added.  
\* Straight connection kits (brackets) included with each corner connector.



Lumen values are derived from photometric testing. For a complete list of compatible dimmers and DLC qualified products, please visit [www.standardpro.com](http://www.standardpro.com)



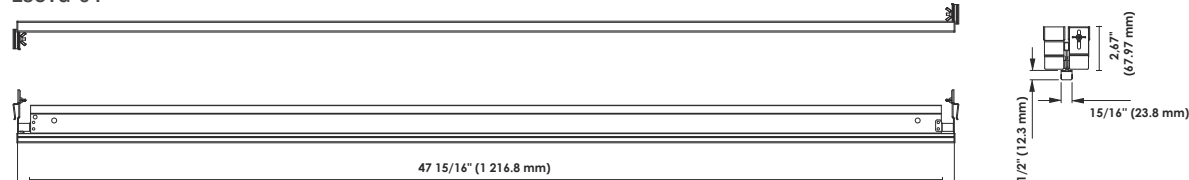
# LED Linear L3CTG T-Grid

The L3CTG is available in 2' and 4' which can be compatible to 15/16" standard suspended ceilings system. This product offers lighting designers more freedom to design since the LED module can follow the ceiling elements in many different ways. It is suitable for commercial and architectural environments that require a unique and elegant lighting design.

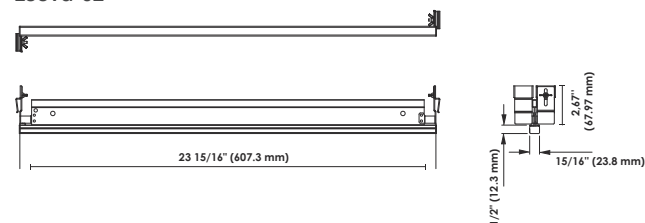


Order code	Model number	DLC unique ID	Lenght (in)	Width (in)	Watts (W)	Color temp. (K)	Lumen (lm)	Efficiency (lm/W)	CRI	Life L70 (hrs)	Cable rating	Lens finish	Dimming (Yes/No)	Power factor	THD (%)	Case qty (master)
68025	L3CTG-0215LS1/35K	PL5RUZGG1HAH	2	15/16	10	3 500	1 260	126	80+	50 000	FT6	Frosted	Yes	>0.9	<20	18
68026	L3CTG-0215LS1/40K	PLA2M5KQG1TF	2	15/16	10	4 000	1 320	132	80+	50 000	FT6	Frosted	Yes	>0.9	<20	18
68027	L3CTG-0415LS2/35K	PLBJ29RKP4E	4	15/16	20	3 500	2 540	127	80+	50 000	FT6	Frosted	Yes	>0.9	<20	18
68028	L3CTG-0415LS2/40K	PLERYM5Z9ZTU	4	15/16	20	4 000	2 670	133	80+	50 000	FT6	Frosted	Yes	>0.9	<20	18

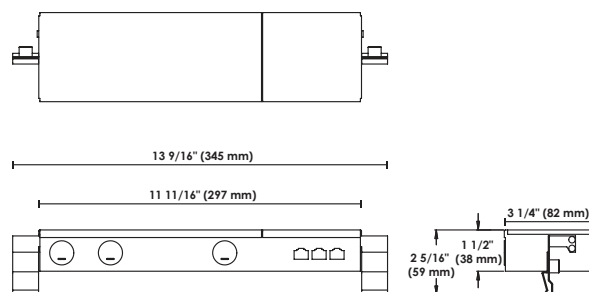
## L3CTG-04



## L3CTG-02



## POWER SUPPLY



Lumen values are derived from photometric testing  
For a complete list of compatible dimmers and DLC qualified products, please visit [www.standardpro.com](http://www.standardpro.com)

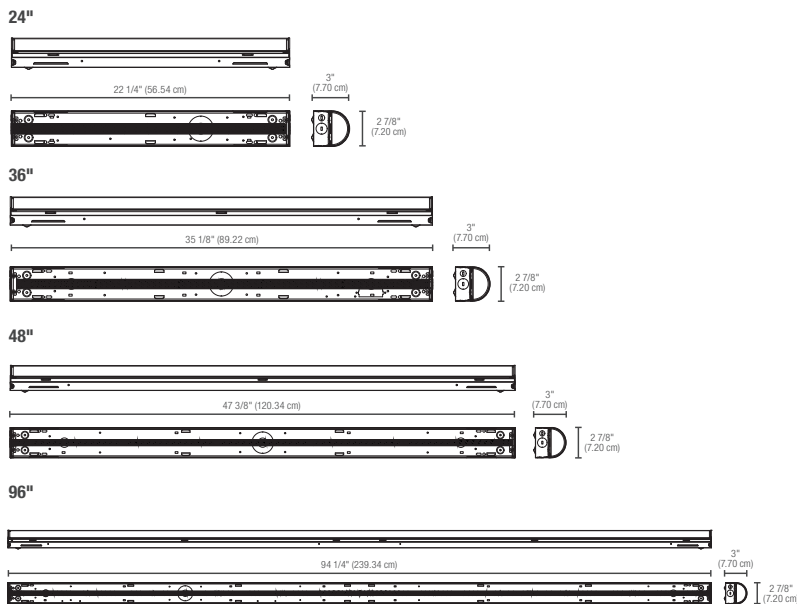


# L2STR LED Strip



The L2STR series of versatile LED strips are designed to deliver efficient and high impact illumination. These luminaires feature a rounded lens that evenly diffuses the light and an innovative housing built for quick and easy installation. Whether for retrofit or new construction, the L2STR series is the ideal choice for a variety of commercial and industrial applications.

Order code	Model number	Watts (W)	Volts (V AC)	Color temp. (K)	Lumen output (lm)	Efficacy (lm/W)	CRI	Life L70 (hrs)	Tested hours LM-80 (hrs)	Finish	PF	THD (%)	Master case qty
<b>24" CCT Selectable</b>													
69390	L2STR-24LS1-Q/3C	20	120-347	3 500/4 000/5 000	2 640	132	80+	156 000	10 000	White	0.90	10	6
<b>36" CCT and Power Selectable</b>													
69583	L2STR-36LP30-Q/3C	18/25/30	120-347	3 500/4 000/5 000	2 700/3 650/ 4260	132	80+	156 000	10 000	White	0.90	10	6
<b>48" CCT and Power Selectable</b>													
69391	L2STR-48LP40-Q/3C	25/30/40	120-347	3 500/4 000/5 000	3 875/4 500/5 680	132	80+	156 000	10 000	White	0.90	10	6
69392	L2STR-48LP45-Q/3C	34/38/45	120-347	3 500/4 000/5 000	5 270/5 776/6 660	138	80+	156 000	10 000	White	0.90	10	6
69995	L2STR-48LP45-Q3C-BK	34/38/45	120-347	3 500/4 000/5 000	4 964/5 434/6 300	140	80+	156 000	9 000	Black	0.90	10	6
70028	L2STR-48LP80-Q/3C	44/60/80	120-347	3 500/4 000/5 000	6 864/9 600/12 400	155	80+	156 000	9 000	White	0.90	10	6
<b>48" CCT Selectable</b>													
69667	L2STR-48LS1-Q/3C	35	120-347	3 500/4 000/5 000	4 620	132	80+	156 000	10 000	White	0.90	10	6
69393	L2STR-48LS2-Q/3C	56	120-347	3 500/4 000/5 000	7 392	132	80+	156 000	10 000	White	0.90	10	6
<b>96" CCT and Power Selectable</b>													
69394	L2STR-96LP90-Q/3C	65/75/90	120-347	3 500/4 000/5 000	9 750/11 100/12 780	135	80+	156 000	10 000	White	0.90	10	1
69996	L2STR-96LP90-Q/3C-BK	65/75/90	120-347	3 500/4 000/5 000	9 035/10 275/12 150	135	80+	156 000	9 000	Black	0.90	10	1
70029	L2STR-96LP142-Q/3C	112/126/142	120-347	3 500/4 000/5 000	16 800/18 648/20 732	146	80+	156 000	9 000	White	0.90	10	1



## Accessories

Order code	Type
68676	Suspension kit - 2 chains (1 m)
70218	10' Complete aircraft cable kit with 5-wire power feed and 2 canopies - White
70219	10' Complete aircraft cable kit with 5-wire power feed and 2 canopies - Black
70282	10' Single side aircraft cable with canopy (non-power feed) - White
70283	10' Single side aircraft cable with canopy (non-power feed) - Black
69405	Continuous row mounting connector - White
69998	Continuous row mounting connector - Black
69398	Transparent end caps (set of 2)
69412	Wire guard kit 24" - White
69413	Wire guard kit 48" - White <sup>1</sup>
70166	Reflector wings kit 48" - White <sup>1</sup>
69395	Replacement lens 24"
69585	Replacement lens 36"
69396	Replacement lens 48"
69397	Replacement lens 96"

<sup>1</sup> For 96" luminaires, order 2 units.





# L2SNR CHOICE LED Slim Strip with Round Lens

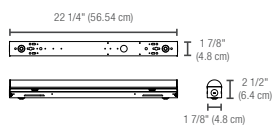


The L2SNR CHOICE series showcases a slim profile, allowing for installation in tight and restrictive spaces. Benefit from high-performance light output without sacrificing smooth and uniform lighting. With its classic round lens design, the L2SNR CHOICE series is the perfect choice for a wide range of commercial and industrial applications.

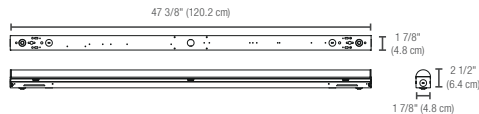
Order code	Model number	Watts	Volts	Color temp.	Lumen output	Efficacy	CRI	Life L70	Tested hours LM-80	Dimming	Power factor	THD	Master case qty
		(W)	(VAC)	(K)	(lm)	(lm/W)	(hrs)	(hrs)	(Yes/No)	(%)			
<b>24" CCT Selectable</b>													
69844	L2SNR-24LS1-Q/3C/CHOICE	20	120-347	3 500/4 000/5 000	2 900	145	80+	156 000	10 000	Yes	0.90	10	9
<b>48" CCT and Power Selectable</b>													
69845	L2SNR-48LP45-Q/3C/CHOICE	25/30/45	120-347	3 500/4 000/5 000	4 000/4 650/6 525	145	80+	156 000	10 000	Yes	0.90	10	9
<b>96" CCT and Power Selectable</b>													
69847	L2SNR-96LP90-Q/3C/CHOICE	65/75/90	120-347	3 500/4 000/5 000	9 490/10 725/12 600	140	80+	156 000	10 000	Yes	0.90	10	1

## Dimensions

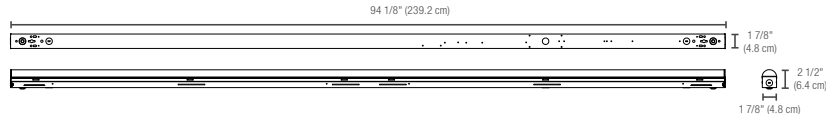
### 24"



### 48"



### 96"



## Accessories

Order code	Type
69992	V-Hooks (set of 2)
68676	Suspension kit - 2 chains (1 m) <sup>1</sup>
70218	10' Complete aircraft cable kit with 5-wire power feed and 2 canopies
70282	10' Single side aircraft cable with canopy (non-power feed)
69905	Continuous row mounting connector
69898	Transparent end caps (set of 2)
68685	Wire guard kit 24"
69897	Wire guard kit 48" <sup>2</sup>
70166	Reflector wings kit 48" <sup>2</sup>
69900	Replacement lens 24"
69901	Replacement lens 48"
69902	Replacement lens 96"

<sup>1</sup> Must be used in conjunction with 69992.

<sup>2</sup> For 96" luminaires, order 2 units.

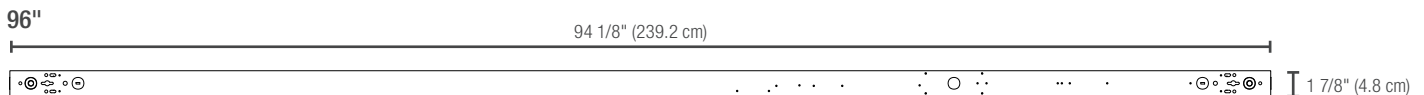
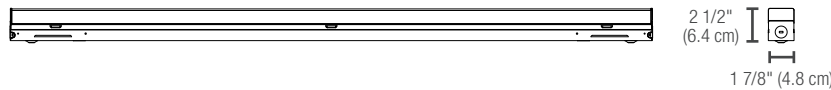
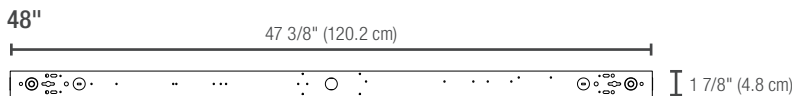


# L2SNQ Series LED Slim Strip with Square Lens



The L2SNQ series showcases a slim profile, allowing for installation in tight and restrictive spaces. Benefit from high-performance light output without sacrificing smooth and uniform lighting. With its sleek and modern square lens design, the L2SNQ series is the ideal choice for commercial, industrial, and retail applications.

Order code	Model number	Watts (W)	Volts (VAC)	Color temp. (K)	Lumen output (lm)	Efficacy (lm/W)	CRI	Life L70 (hrs)	Tested hours LM-80 (hrs)	Finish	Dimming (Yes/No)	Power factor	THD (%)	Master case qty
<b>48" CCT and Power Selectable</b>														
69849	L2SNQ-48LP45-Q/3C	25/30/45	120-347	3 500/4 000/5 000	4 000/4 650/6 525	145	80+	156 000	10 000	White	Yes	0.90	10	9
69851	L2SNQ-48LP45-Q/3C-BK	25/30/45	120-347	3 500/4 000/5 000	3 875/4 500/6 300	140	80+	156 000	9 000	Black	Yes	0.90	10	9
<b>96" CCT and Power Selectable</b>														
69850	L2SNQ-96LP90-Q/3C	65/75/90	120-347	3 500/4 000/5 000	9 490/10 725/12 600	140	80+	156 000	10 000	White	Yes	0.90	10	1
69852	L2SNQ-96LP90-Q/3C-BK	65/75/90	120-347	3 500/4 000/5 000	9 620/10 800/12 600	140	80+	156 000	9 000	Black	Yes	0.90	10	1



## Accessories

Order code	Type
69992	V-Hooks (set of 2)
68676	Suspension kit - 2 chains (1 m) <sup>1</sup>
70218	10' Complete aircraft cable kit with 5-wire power feed and 2 canopies - White
70219	10' Complete aircraft cable kit with 5-wire power feed and 2 canopies - Black
70282	10' Single side aircraft cable with canopy (non-power feed) - White
70283	10' Single side aircraft cable with canopy (non-power feed) - Black
69905	Continuous row mounting connector - White
69906	Continuous row mounting connector - Black
69897	Wire guard kit 48" - White <sup>2</sup>
70166	Reflector wings kit 48" - White <sup>2</sup>
69903	Replacement lens 48"
69904	Replacement lens 96"

<sup>1</sup> Must be used in conjunction with 69992.

<sup>2</sup> For 96" luminaires, order 2 units.



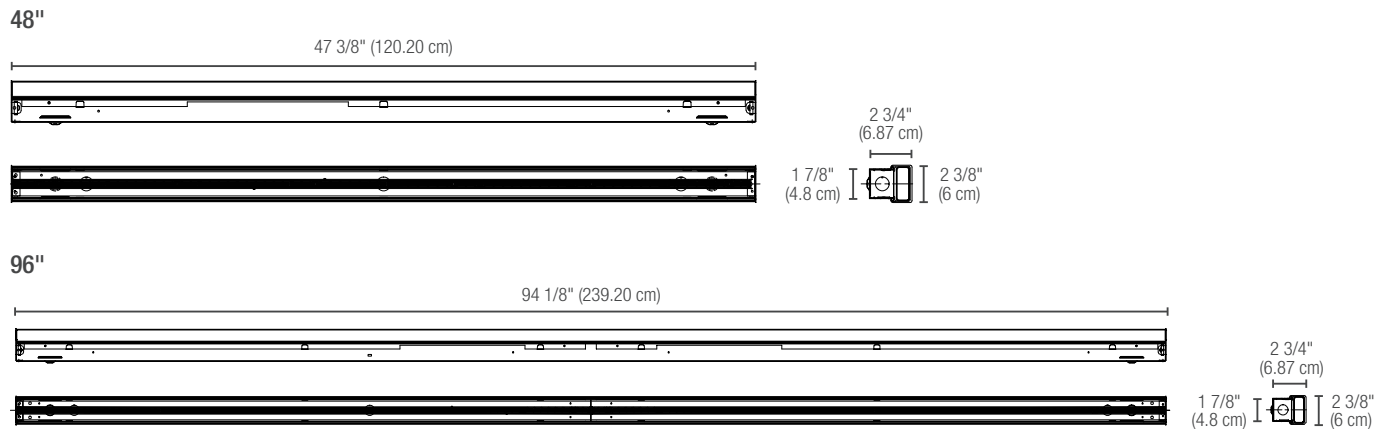


# LED Slim Strip With Square Lens L2SSQ Series



The L2SSQ series showcases a slim profile, allowing for installation in tight and restrictive spaces. Benefit from high-performance light output without sacrificing smooth and uniform lighting. With its sleek and modern square lens design, the L2SSQ series is the ideal choice for commercial, industrial, and retail applications.

Order code	Model number	Watts (W)	Volts (V AC)	Color temp. (K)	Lumen output (lm)	Efficacy (lm/W)	CRI	Life L70 (hrs)	Tested hours LM-80 (hrs)	Dimming (Yes/No)	Power factor	THD (%)	Case qty (master)
<b>48"</b>													
69046	L2SSQ-48LS2-Q/3C	45	120-347	3 500/4 000/5 000	5 985	133	80+	186 000	9 000	Yes	0.90	10	9
<b>96"</b>													
69047	L2SSQ-96LS2-Q/3C	90	120-347	3 500/4 000/5 000	11 970	133	80+	186 000	9 000	Yes	0.90	10	1



## Accessories

Order code	Type
69328	V-Hooks (set of 2)
68676	Suspension kit - 2 chains (1 m) <sup>1</sup>
70218	10' Complete aircraft cable kit with 5-wire power feed and 2 canopies
70282	10' Single side aircraft cable with canopy (non-power feed)
69068	Continuous row mounting connector
69068	Wireguard kit 48"
68687	Wireguard kit 96"
69066	Replacement lens 48"
69067	Replacement lens 96"

<sup>1</sup>Must be used in conjunction with 69328.



# L2TRV Tri-Level Motion Sensor LED Strip

The L2TRV series of LED strips feature an integrated tri-level microwave or PIR motion sensor, preventing energy loss and increasing energy savings. These luminaires feature a rounded lens that evenly diffuses the light and an innovative housing designed for quick and easy installation. The L2TRV series is the perfect choice for applications requiring continuous lighting, such hallways, common areas, parkades and stairwells.



Order code	Model number	Watts (W)	Volts (V AC)	Color temp. (K)	Lumen output (lm)	Efficacy (lm/W)	CRI	Life L70 (hrs)	Tested hours LM-80 (hrs)	Finish	Power factor	THD (%)	Master case qty
<b>24" CCT Selectable</b>													
69400	L2TRV-24LS1-Q/3C	20	120-347	3 500/4 000/5 000	2 640	132	80+	156 000	10 000	White	0.90	10	6
<b>36" CCT and Power Selectable</b>													
69584	L2TRV-36LP30-Q/3C	18/25/30	120-347	3 500/4 000/5 000	2 700/3 650/4 260	132	80+	156 000	10 000	White	0.90	10	6
<b>48" CCT and Power Selectable</b>													
69401	L2TRV-48LP40-Q/3C	25/30/40	120-347	3 500/4 000/5 000	3 875/4 500/5 680	132	80+	156 000	10 000	White	0.90	10	6
69402	L2TRV-48LP45-Q/3C	34/38/45	120-347	3 500/4 000/5 000	5 270/5 776/6 660	138	80+	156 000	10 000	White	0.90	10	6
69997	L2TRV-48LP45-Q/3C-BK	34/38/45	120-347	3 500/4 000/5 000	4 964/5 434/6 300	140	80+	156 000	10 000	Black	0.90	10	6
70199	L2TRV-48LP45-Q/3C/PIR	34/38/45	120-347	3 500/4 000/5 000	5 270/5 776/6 660	138	80+	156 000	10 000	White	0.90	10	6
70030	L2TRV-48LP80-Q/3C	44/60/80	120-347	3 500/4 000/5 000	6 864/9 600/12 400	155	80+	156 000	9 000	White	0.90	10	6
<b>48" CCT Selectable</b>													
69403	L2TRV-48LS2-Q/3C	56	120-347	3 500/4 000/5 000	7 392	132	80+	156 000	10 000	White	0.90	10	6
<b>96" CCT and Power Selectable</b>													
69404	L2TRV-96LP90-Q/3C	65/75/90	120-347	3 500/4 000/5 000	9 750/11 100/12 780	135	80+	156 000	10 000	White	0.90	10	1
70200	L2TRV-96LP90-Q/3C/PIR	65/75/90	120-347	3 500/4 000/5 000	9 750/11 100/12 780	135	80+	156 000	10 000	White	0.90	10	1

## Accessories

Order code	Type
68676	Suspension kit - 2 chains (1 m)
70218	10' Complete aircraft cable kit with 5-wire power feed and 2 canopies - White
70219	10' Complete aircraft cable kit with 5-wire power feed and 2 canopies - Black
70282	10' Single side aircraft cable with canopy (non-power feed) - White
70283	10' Single side aircraft cable with canopy (non-power feed) - Black
69405	Continuous row mounting connector - White
69998	Continuous row mounting connector - Black
69398	Transparent end caps (set of 2) <sup>1</sup>
69399	Remote control for microwave motion sensor <sup>2</sup>
69080	Remote control for PIR motion sensor <sup>2,3</sup>
69412	Wire guard kit 24" - White
69413	Wire guard kit 48" - White <sup>4,5</sup>

Order code	Type
70166	Reflector wings kit 48" - White <sup>5</sup>
69395	Replacement lens 24"
69585	Replacement lens 36"
69396	Replacement lens 48"
69624	Replacement lens 48" (with PIR sensor)
69397	Replacement lens 96"
69707	Replacement lens 96" (with PIR sensor)

<sup>1</sup> Not compatible with 70199 & 70200.

<sup>2</sup> The remote control is required to modify sensor programming. A single remote control can be used to program multiple sensors.

<sup>3</sup> For use with 70199 & 70200 only.

<sup>4</sup> When installed on the luminaires with integrated PIR motion sensor, the wire guard will reduce the sensor sensitivity.

<sup>5</sup> For 96" luminaires, order 2 units.

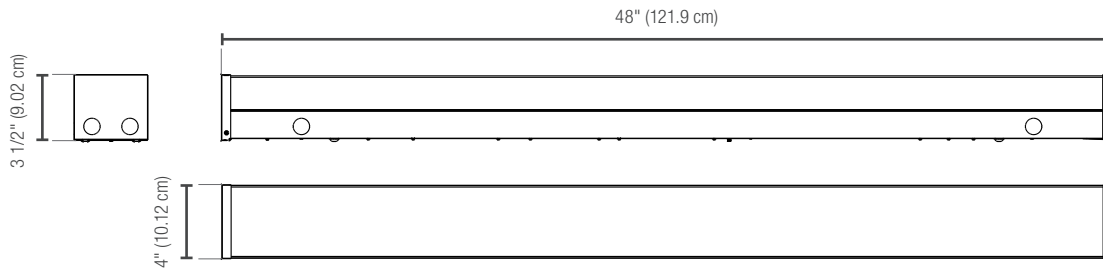


# L2CUB LED Cube



The L2CUB surface mount LED cube light has a simple and modern design. The frosted linear ribbed lens provides an elegant look as well as smooth light distribution. The pull to open end cap makes the lens removal and installation easy. Featuring a 120-347 V driver, with selectable colour temperatures and wattages, this luminaire is an ideal solution for various commercial applications such as vanities, stairwells and hallways.

Order code	Model number	Watts (W)	Volts (V AC)	Color temp. (K)	Lumen output (lm)	Efficacy (lm/W)	CRI	Life L70 (hrs)	Tested hours LM-80 (hrs)	Dimming (Yes/No)	Power factor	THD (%)	Case qty (master)
70127	L2CUB-48LPS40-Q/3C	22/30/40	120-347	3 000/4 000/5 000	3 274/4 302/5 374	130	80+	154 000	9 000	Yes	0.90	20	6

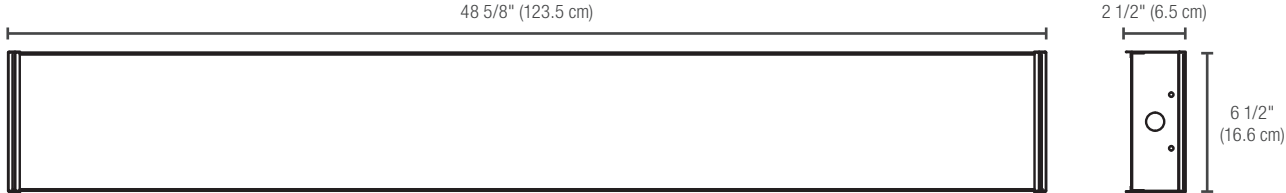


# LWR4 LED Wraparound

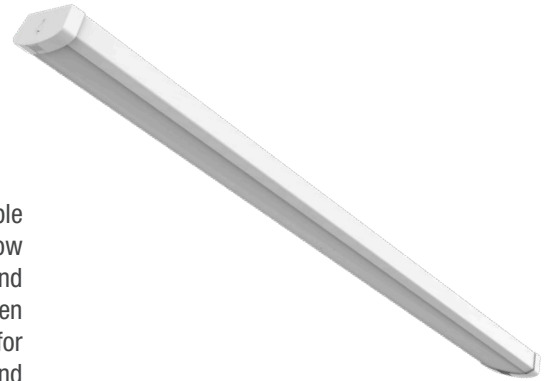


The LWR4 is a low profile, surface-mounted fixture with reduced glare. It is designed to reproduce the look of a traditional fluorescent wrap. Featuring a 120-347 V driver with CCT and Power selectable functions, this luminaire is ideal for a variety of commercial indoor applications.

Order code	Model number	Watts (W)	Volts (V AC)	Color temp. (K)	Lumen output (lm)	Efficacy (lm/W)	CRI	Life L70 (hrs)	Tested hours LM-80 (hrs)	Dimming (Yes/No)	Power factor	THD (%)	Case qty (master)
70137	LWR4-48PS-Q/3C	22/30/38	120-347	3 500/4 000/5 000	3 212/4 290/5 320	130	80+	190 000	9 000	Yes	0.90	10	4



# L2WMG CHOICE LED Wraparound

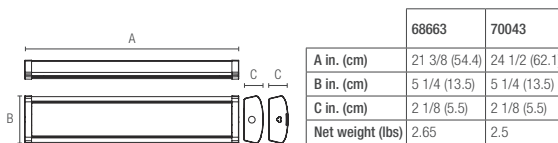


The L2WMG series offers a modern and attractive wraparound design and is available with both linkable and hardwire end cap options. The linkable versions allow for row mounting multiple luminaires together without any additional wiring, for an easy and quick installation. The hardwire version features knockouts on the end caps, for when installation using conduit or row mounting with dimming is required. Designed for surface mounting, these luminaires are ideal for use in a variety of commercial and residential applications, such as utility rooms, corridors, restrooms and anywhere a decorative luminaire with efficient lighting is desired.

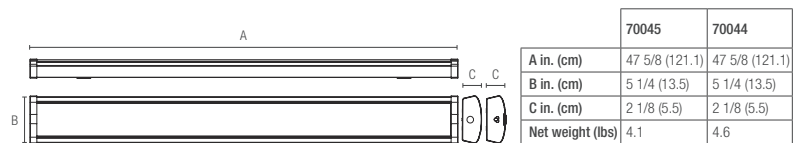
Order code	Model number	Watts (W)	Volts (V AC)	Color temp. (K) <sup>1</sup>	Lumen output (lm)	Efficacy (lm/W)	CRI	Life L70 (hrs) <sup>4</sup>	Tested hours LM-80 (hrs) <sup>4</sup>	Dimming (Yes/No)	Power factor	THD (%)	Master case qty
<b>24" Single CCT (Linkable Version)</b>													
68663 <sup>7</sup>	L2WMG-24-1-G2	23	120-277	4 000	2 695 <sup>2</sup>	115	80+	54 000	9 000	Yes <sup>5</sup>	0.90	12	12
<b>24" CCT and Power Selectable (Hardwire Version)</b>													
70043	L2WMG-24PS-Q/5C/CHOICE	16/20/24	120-347	3 000/3 500/4 000/4 500/5 000	1 840/2 300/2 760 <sup>3</sup>	115	80+	102 000	17 000	Yes	0.90	20	4
<b>48" Single CCT (Linkable Version)</b>													
70044	L2WMG-48/CHOICE	44	120-277	4 000	5 060 <sup>2</sup>	115	80+	102 000	17 000	Yes <sup>6</sup>	0.90	20	4
<b>48" CCT and Power Selectable (Hardwire Version)</b>													
70045	L2WMG-48PS-Q/5C/CHOICE	30/35/40	120-347	3 000/3 500/4 000/4 500/5 000	3 900/4 550/5 200 <sup>3</sup>	130	80+	102 000	17 000	Yes	0.90	20	4

<sup>1</sup> Typical color temperature range: +/- 5 %.  
<sup>2</sup> Lumen values are derived from photometric testing. Initial lumens range: +/- 10 %.  
<sup>3</sup> Lumen values are based on 4 000 K default programming. Please refer to the LUMEN SPECIFICATION TABLE for more details on other color temperatures.  
<sup>4</sup> Life hours are derived from IESNA LM-80 testing report and projected per IESNA TM-21 extrapolations.  
<sup>5</sup> Dimming with row mounting only available when hardwired using the Conduit Entry Kit accessory (sold separately).  
<sup>6</sup> Dimming is not available when row mounted using the linkable connectors.  
<sup>7</sup> There are visible differences in the appearance of 68663, compared to the rest of the luminaires in this series.

## 24"



## 48"



## Accessories

Order code	Type	Compatible with
68858	Linkable Connector <sup>1</sup>	
68859	12" Linkable Cable Connector <sup>2</sup>	
68860	48" Linkable Cable Connector	68663
68861	72" Linkable Cable Connector	70044
68862	96" Linkable Cable Connector	
69762	Conduit Entry Kit for 2 ft <sup>3</sup>	68663

<sup>1</sup> One (1) Linkable Connector is included in the box with 68663 and 70044.  
<sup>2</sup> One (1) 12" Linkable Cable Connector is included in the box with 68663 and 70044.  
<sup>3</sup> Conduit Entry Kit consists of two (2) end caps with knockouts and one (1) 5VA rated lens.



# LED Vapor Tight

The Vapor Tight series is an enclosed luminaire that combines state-of-the-art LED technology with an IP rated vapor tight housing. This luminaire is protected against extreme temperatures, the intrusion of dust and jets of waters projected from any direction. Its durable construction provides protection against harsh environmental conditions and corrosion.

- Impact resistant polycarbonate construction
- Integrated durable gasket that seals the entire enclosure
- UV stabilized lens



VTL4 GEN. 3

Order code	Model number	Watts (W)	Volts (V AC)	Color temp. (K)	Lumen output (lm)	Efficacy (lm/W)	CRI	Life L70 (hrs)	Tested hours LM-80 (hrs)	Dimming	Power factor	THD (%)	Master case qty
<b>4' CCT and Power Selectable</b>													
70482	VTL4-3-PS1-Q-3C	30/40/50	120-347	3 500/4 000/5 000	4 320-7 200	144	80+	54 000	54 000	0-10 V	≥0.90	≤20	6
70483	VTL4-3-PS2-Q-3C	30/45/60	120-347	3 500/4 000/5 000	4 500-9 000	150	80+	54 000	54 000	0-10 V	≥0.90	≤20	6
70535	VTL4-3-PS1-Q-3C-BMS	30/40/50	120-347	3 500/4 000/5 000	4 320-7 200	144	80+	54 000	54 000	0-10 V	≥0.90	≤20	6
70536	VTL4-3-PS2-Q-3C-BMS	30/45/60	120-347	3 500/4 000/5 000	4 500-9 000	150	80+	54 000	54 000	0-10 V	≥0.90	≤20	6

## Accessories (order separately)

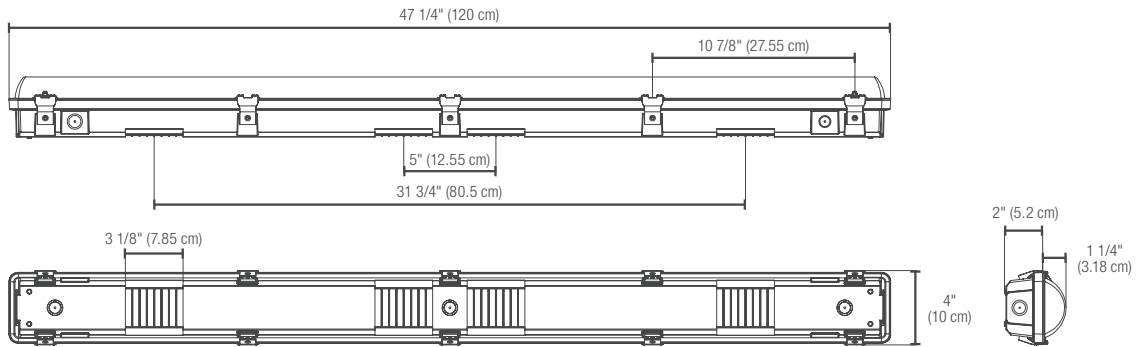
Order code	Type	Compatible with
69589	90° Angle Brackets (2pcs)	All configurations
70510	Tamper proof brackets 4' (2pcs)	All configurations
69668 <sup>1</sup>	Junction box bracket (1pc)	All configurations
69588	Replacement surface mounting brackets and V-Hooks (2pcs)	All configurations
70539	Replacement 4ft frosted polycarbonate lens	All configurations
70484	Replacement stainless steel latch kit with hole (10pcs)	All configurations
70403	Replacement hardware kit: watertight end caps (2pcs), watertight glands (2pcs), surface mount brackets (2pcs), V-hooks (2pcs) and mounting hardware	All configurations
70404	Replacement watertight gland (1pc)	All configurations
70405	Replacement watertight end cap (1pc)	All configurations
70540	Replacement for 30/40/50W driver (1pc)	70482, 70535
70541	Replacement for 30/45/60W driver (1pc)	70483, 70536
70542 <sup>2</sup>	Replacement for 30/40/50W internal module (1pc)	70482, 70535
70543 <sup>2</sup>	Replacement for 30/45/60W internal module (1pc)	70483, 70536

## Smart Accessories (order separately)

Order code	Type	Compatible with
69733	Genio Bluetooth® Mesh internal integrated fixture adapter	All configurations
70222	Genio Bluetooth® Mesh kit internal high frequency sensor (69732) and integrated fixture adapter (69733)	All configurations

<sup>1</sup> Accessory requires additional center hole (CH) on top of housing. Fixture maintains wet location status, however NEMA 4X and IP ratings are not applicable with CH. Please see installation instructions for more details

<sup>2</sup> Replacement for internal module includes all internal components (gear tray, driver, LED boards and wires)





VTL8-L GEN. 2



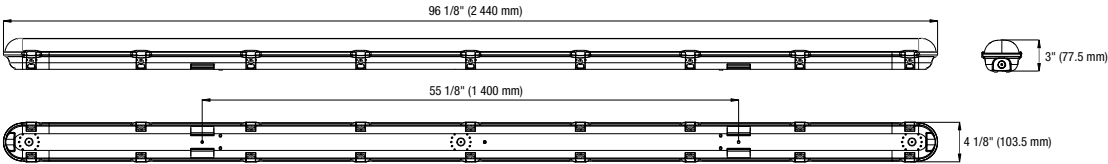
VTL8-L GEN. 1

Order code	Model number	Watts (W)	Volts (VAC)	Color temp. (K)	Lumen output (lm)	Efficacy (lm/W)	CRI	Life L70 (hrs)	Power factor	THD (%)
<b>VTL8-L GEN. 2</b>										
8'										
69568	VTL8-LS1B-Q-3C	65	120-347	3 500/4 000/5 000	9 622	150	80+	> 54 000	>0.9	<20
69569	VTL8-PS110B-Q-3C	65/75/90/110	120-347	3 500/4 000/5 000	9 796/11 148/13 121/16 101	146	80+	> 54 000	>0.9	<20
<b>VTL8-L GEN. 1</b>										
8'										
68362	VTL8-LS1-Q/40K	67	120-347	4 000	9 089	136	80+	>50 000	0.986	10.63
68363	VTL8-LS1-Q/50K	68	120-347	5 000	9 300	137	80+	>50 000	0.980	10.55
68484	VTL8-LS1A-Q/40K	88	120-347	4 000	11 860	135	80+	>50 000	0.913	15.52
68485	VTL8-LS1A-Q/50K	88	120-347	5 000	12 257	139	80+	>50 000	0.910	15.53
68486	VTL8-LS3-Q/40K	116	120-347	4 000	15 594	134	80+	>50 000	0.961	16.11
68487	VTL8-LS3-Q/50K	116	120-347	5 000	15 717	135	80+	>50 000	0.957	15

VTL8-L GEN. 1

ACCESSORIES (order separately)

Order code	Type
69084	Vandal Resistant Screw (10pcs)
69085	Bit for Vandal Resistant Screw (1pc)
OSI-RC100	Remote control

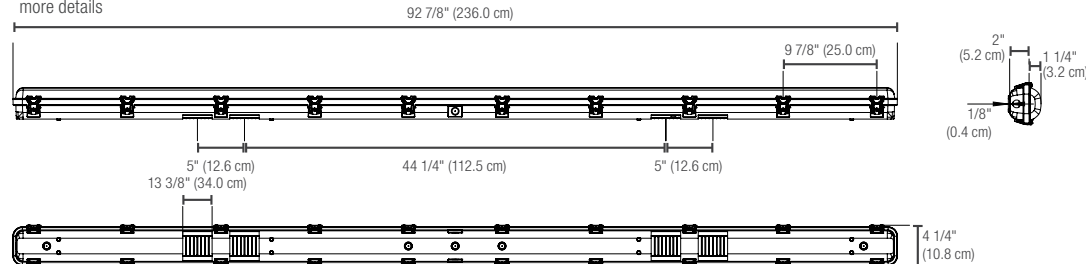


VTL8-L GEN. 2

Accessories (sold separately)

Order code	Type	Compatible with
69588	Surface Mounting Brackets and V-Hooks (set of 2pcs)	All configurations
69589	90° Angle Brackets (set of 2pcs)	All configurations
69591	Tamper Proof Brackets (set of 4pcs)	All configurations
69669 <sup>1</sup>	Junction Box Bracket (set of 2pcs)	All configurations
69994	8ft replacement frosted polycarbonate lens	All configurations
70014	Stainless steel replacement latch kit with hole (set of 20pcs)	All configurations

<sup>1</sup> Accessory requires additional center hole (CH) on top of housing. Fixture maintains wet location status, however NEMA 4X and IP ratings are not applicable with CH. Please see installation instructions for more details



Smart Accessories (sold separately)

Order code	Type	Compatible with
69733	Genio Bluetooth® Mesh internal integrated fixture adapter	All configurations
70222	Genio Bluetooth® Mesh kit internal high frequency sensor (69732) and integrated fixture adapter (69733)	All configurations

Lumen values are derived from photometric testing. For a complete list of compatible dimmers and DLC qualified products, please visit [www.standardpro.com](http://www.standardpro.com)

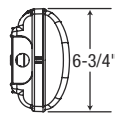
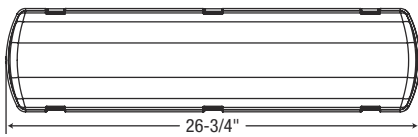
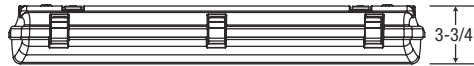
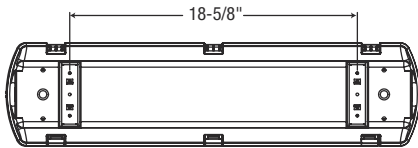






VT2-L

Model Number	Watts (W)	Volts (VAC)	Color temp. (K)	Lumen output (lm)	Efficiency (lm/W)	CRI	Life L70 (hrs)	Tested hours LM-80 (hrs)	Dimming (V)	Power factor	THD (%)
VT2-LS1B-80-W/40K	17	120-277	4 000	2 265	133	80+	190 400	9 000	0-10	0.9	20



## Accessory

Part number	Type
HAR06-TPBIT-UDR	Tamper proof 2" Steel Power Bit

Lumen values are derived from photometric testing  
For a complete list of compatible dimmers and DLC qualified products, please visit [www.standardpro.com](http://www.standardpro.com)



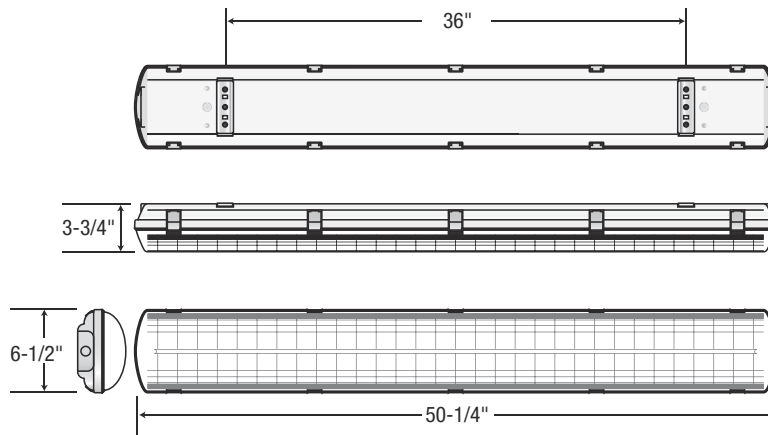


VTE4-L GEN. 1



VTE4-L GEN. 2

Model Number	Watts (W)	Volts (VAC)	Color temp. (K)	Lumen output (lm)	Efficiency (lm/W)	CRI	Life L70 (hrs)	Tested hours LM-80 (hrs)	Dimming (Yes/No)	Power factor	THD (%)
<b>VTE4-L GEN 1</b>											
VTE4-LS3-W/40K/OS1	40	120-277	4 000	5 000	125	80+	64 000	6 000	0-10	0.95	20
VTE4-LS3-W/50K	40	120-277	5 000	5 000	125	80+	64 000	6 000	0-10	0.95	20
VTE4-LS3-H/40K	40	347	4 000	5 200	130	80+	64 000	6 000	0-10	0.95	10
VTE4-LS3-H/50K	40	347	5 000	5 460	136	80+	64 000	6 000	0-10	0.95	10
VTE4-LS4-W/40K	60	120-277	4 000	7 500	125	80+	64 000	6 000	0-10	0.95	10
VTE4-LS4-W/50K	60	120-277	5 000	7 500	125	80+	64 000	6 000	0-10	0.95	10
VTE4-LS4-H/40K	60	347	4 000	7 900	132	80+	64 000	6 000	0-10	0.95	10
<b>VTE4-L GEN 2</b>											
VTE4-LS3B-Q-3C	40	120-347	3 CCT (3 500/4 000/5 000)	5 688	143	80+	135 000	9 000	0-10	>0.90	<20
VTE4-LS4B-Q-3C	60	120-347	3 CCT (3 500/4 000/5 000)	8 441	141	80+	135 000	9 000	0-10	>0.90	<20



## Accessory

Part number	Type
CAS060-LATCH-SS <sup>1</sup>	STAINLESS STEEL Latches (1pc)

<sup>1</sup> 10 Latches are required per fixture (VTE4-L GEN 1 series).  
<sup>2</sup> cETLus Listed only for VTE4-L GEN. 1.  
<sup>3</sup> DLC Listed only for VTE4-L GEN. 2.





VT4

Part number	Watts (W)	Volts (VAC)	Number of lamps	Lamp type
VT4F2T5H0054-W	54	120-277	2	T5HO
VT4F2T8032-A	32	120	2	T8



High efficiency  
Gull Wing Reflector



End view

## Accessory

Part number	Type
HAR06-TPBIT-UDR	Tamper proof 2" Steel Power Bit











# LED High Bay

With Stanpro's high bay line, it is now easy to modernize your commercial or industrial applications; it is the perfect alternative for your traditional lighting system.

Our high efficacy LED high bay luminaires provide premium performance, quality and versatility. With up to 60% lower power consumption compared to traditional fluorescent and HID light sources, these luminaires are designed to reduce your total cost of ownership, while providing modern uniform light. These luminaires are ideal for high ceilings (10' to 60') in warehouses, manufacturing facilities, gymnasiums, grocery stores or any other large indoor space, and they provide direct and semi-direct light.







# L1RVH CHOICE Round LED Economical And High Performing Luminaire

An economical and energy efficient LED High Bay series with a simple, yet refined design. This type of luminaire is ideal for any application such as warehouses, manufacturing facilities, sports arenas, and other large high ceiling indoor applications. The IP65 rating allows this fixture to be installed where dust and water spray may be present.

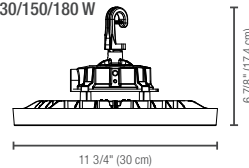


Order code	Model number	DLC Premium Unique ID	Watts (W)	Volts (VAC)	Color temp. (K)	Lumen output (lm) <sup>3</sup>	Efficacy (lm/W)	CRI	Life L70 (hrs)	Tested hours LM-80 (hrs)	Calculated TM21 (hrs)	Beam angle (°)	Power factor	THD (%)
<b>CCT and Power Selectable</b>														
69428	L1RVH-PS150-Q/3C-B/CHOICE	S-VOP9RO	100/120/150	120-347	3 500/4 000/5 000	16 323/19 341/24 339	170	80+	>100 000	> 9 000	149 000	90	> 0.9	< 20
69560	L1RVH-PS150-Q/3C-W/CHOICE	S-VOP9RO	100/120/150	120-347	3 500/4 000/5 000	16 323/19 341/24 339	170	80+	>100 000	> 9 000	149 000	90	> 0.9	< 20
69746	L1RVH-PS180-Q/3C-B/CHOICE	S-KG0PPL	130/150/180	120-347	3 500/4 000/5 000	23 258/25 467/29 510	165	80+	>100 000	> 9 000	147 000	90	> 0.9	< 20
69429	L1RVH-PS240-Q/3C-B/CHOICE	S-DP2ER8	200/240	120-347	3 500/4 000/5 000	32 363/38 345	168	80+	>100 000	> 9 000	147 000	90	> 0.9	< 20

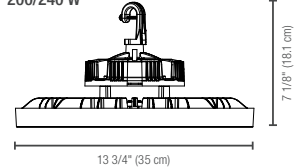
## ACCESSORIES (order separately)

Order code	Type	Compatible with
68818	1/2 NPT Male to 3/4 NPT Female adapter with black junction box	69428, 69429, 69746
69660	1/2 NPT Male to 3/4 NPT Female adapter with white junction box	69560
HAR1159	1/2 NPT Male to 3/4 NPT Female conduit adapter	All configurations
68819	Trunnion 100W-180W Black	69428, 69746
69661	Trunnion 100W-180W White	69560
68820	Trunnion 200W-240W Black	69429
69627	120° Beam Angle Lens 100W-180W	69428, 69560, 69746
69628	120° Beam Angle Lens 200W-240W	69429
69629	Stainless steel safety cable (10 ft)	All configurations
68821	Aluminium reflector 100W-180W	69428, 69560, 69746
68822	Aluminum reflector 200W-240W	69429
68823	PC reflector 100W-180W	69428, 69560, 69746
68824	PC reflector 200W-240W	69429
69630	PC reflector cover 100W-180W	69428, 69560, 69746
69631	PC reflector cover 200W-240W	69429
69907 <sup>6</sup>	Stainless steel wireguard 100-180W	69428, 69560, 69746
69908 <sup>6</sup>	Stainless steel wireguard 200-240W	69429
70439 <sup>7</sup>	Stainless steel wireguard 100-180W	69428, 69560, 69746
70440 <sup>7</sup>	Stainless steel wireguard 200-240W	69429
69444 <sup>1,2,3</sup>	External High Frequency sensor kit EFS06R	All configurations
69640 <sup>1,2,3,4</sup>	External PIR sensor kit OSI-EFS07-AUX	All configurations
69080	Remote control RM51	69444, 69640
69013 <sup>5</sup>	Remote control Rugby emergency back-up BLD-RM30R	All configurations
69014	Remote control Rugby EM back-up RN51M	69013
70247	External 10kV surge protector	All configurations
70248	External 20kV surge protector	All configurations

100/120/150 W  
130/150/180 W



200/240 W



<sup>1</sup> Maximum ambient temperature for sensor is 55°C. When used in conjunction with reflectors 68821, 68822, 68823 and 68824, the ambient temperature cannot exceed 25°C  
<sup>2</sup> To change the factory setting, purchase remote 69080 (sold separately)  
<sup>3</sup> Not for use in NSF environment  
<sup>4</sup> PIR sensor detection range is significantly reduced when used in conjunction with reflectors 68821, 68822, 68823 and 68824  
<sup>5</sup> To manually test in EM mode remote 69014 can be purchased separately  
<sup>6</sup> Not compatible with 69640 and 69651  
<sup>7</sup> Compatible with all sensor

## SMART ACCESSORIES (order separately)

Order code	Type	Compatible with
69651 <sup>1,2</sup>	Genio Bluetooth® Mesh PIR sensor OSI-PIR106	All configurations
70002 <sup>1,2</sup>	Genio Bluetooth® Mesh Wet Location External PIR sensor Black OSI-PIR106-W	All configurations
70276 <sup>1,2</sup>	Genio Bluetooth® Mesh Wet Location External PIR sensor White OSI-PIR106-W-WH	All configurations
70000 <sup>2,3</sup>	Genio Bluetooth® Mesh Wet Location External Fixture Controller Black CTRL-KBC1-002	69651
70274 <sup>2,3</sup>	Genio Bluetooth® Mesh Wet Location External Fixture Controller White CTRL-KBC1-005	69651

<sup>1</sup> Maximum ambient temperature for sensor is 65°C. PIR sensor detection range is significantly reduced when used in conjunction with reflectors 68821, 68822, 68823 and 68824  
<sup>2</sup> Note for use in NSF environment  
<sup>3</sup> Compatible with 69651





# L1RUH Round Economic And High Performing Luminaire

Our economic series of LED High Bays are an energy efficient solution with a simple design. This type of luminaire is ideal for any application such as warehouses, manufacturing facilities, sports arenas and other large high ceiling indoor applications. The IP65 rating allows this fixture to be installed where dust and water spray may be present. Meets NEMA 4X and NSF.



Order code	Model number	DLC unique ID	Watts (W)	Volts (V AC)	Color temp. (K)	Lumen output (lm)	Efficacy (lm/W)	CRI	Life L70 (hrs)	Tested hours LM-80 (hrs)	Beam angle	Power factor	THD (%)
68789	L1RUH-LS1-W/40K	P6EZGJLG	100	120-277	4 000	13 465	135	80+	> 54 000	9 000	90°	> 0.9	< 15
68791	L1RUH-LS2-W/40K	PYCIUQJL	151	120-277	4 000	20 315	135	80+	> 54 000	9 000	90°	> 0.9	< 15
68792	L1RUH-LS2-W/50K	P485MOQJ	151	120-277	5 000	20 487	136	80+	> 54 000	9 000	90°	> 0.9	< 15
68793	L1RUH-LS3-W/40K	PGEUKAH7	202	120-277	4 000	27 069	134	80+	> 54 000	9 000	90°	> 0.9	< 15
68798	L1RUH-LS5-W/50K	PURGFOSP	243	120-277	5 000	37 376	154	80+	> 54 000	9 000	90°	> 0.9	< 15

## ACCESSORIES

Order code	Model Number	Type
68818	JB025	1/2 NPT male to 3/4 NPT female conduit adapter with junction box for pendant mount
HAR1159	HAR1159	1/2 NPT male to 3/4 NPT female conduit adapter for pendant mount
68819	BKT844-100-BK	Trunion 100W-150W
68820	BKT844-200-BK	Trunion 200W-240W
68821	REF694-AL-100	Aluminium reflector 100W-150W
68822	REF694-AL-200	Aluminium reflector 200-240W
68823	REF694-PC-100	PC reflector 100W-150W
68824	REF694-PC-200	PC reflector 200-240W
68826 <sup>1</sup>	OSI-HB03DPR-A	PIR sensor
68827	OSI-HB03R	Remote control
69013 <sup>2</sup>	BI-BLD-RM30R	Emergency back-up option
69014	BI-RN51M	EM back-up remote control

<sup>1</sup> To change factory settings, purchase remote 68827 (sold separately).

<sup>2</sup> To manually test in EM mode RF remote 69014 can be purchased separately.



ALUMINUM REFLECTOR



CLEAR PC REFLECTOR



dim  
mable  
fix  
ture



LED  
fix  
ture



wet  
loc  
ation



5  
yrs  
war  
ranty



CERTIFIED



DLC  
LISTED  
PREMIUM

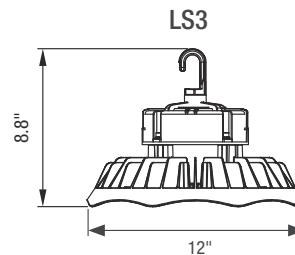
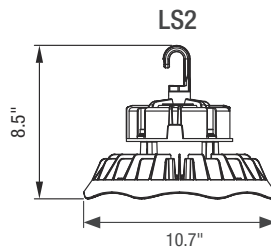
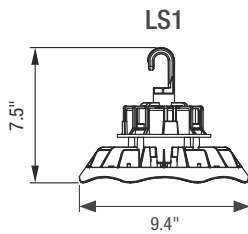
# Round Economic and High Performing Luminaire

Our economic series of LED High Bays are an energy efficient solution with a simple design. This type of luminaire is ideal for any application such as stockrooms, manufacturing, sports arenas, and other large high ceiling indoor applications. The IP65 rating allows this fixture to be installed where dust and water spray may be present.



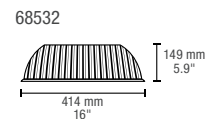
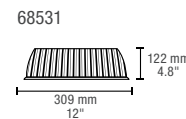
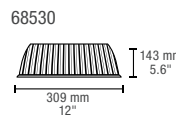
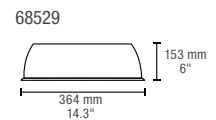
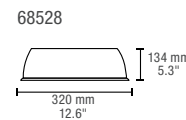
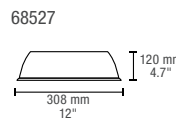
L1RSH-L

Order code	Model number	DLC Unique ID	Watts (W)	Volts (VAC)	Color temp. (K)	Lumen output (lm)	Efficiency (lm/W)	CRI	Life L70 (hrs)	Beam angle (°)	Power factor	THD (%)
68602	L1RSH-LS3A-W/40K	PLED0HQHHOXJ	205	120-277	4 000	27 341	133	80+	173 000	110	0.96	9.09
68103	L1RSH-LS3-W/50K	PLFW0H766CCH	204	120-277	5 000	33 188	163	80+	151 000	110	0.94	9.38
68105	L1RSH-LS4-W/50K	PLSW0QDOMAKC	242	120-277	5 000	37 911	157	80+	151 000	110	0.96	6.61
68290	L1RSH-LS1-H/40K	PLYUQPE6NBRN	100	347 <sup>1</sup>	4 000	15 328	153	80+	173 000	110	0.94	9.74
68294	L1RSH-LS3-H/40K	PLT2KF15B101	201	347 <sup>1</sup>	4 000	30 818	154	80+	173 000	110	0.97	9.53



## Accessories

Order code	Type	Compatible with
68527	Aluminum reflector	S1
68528	Aluminum reflector	S2
68529	Aluminum reflector	S3 & S4
68530	Clear PC reflector	S1
68531	Clear PC reflector	S2
68532	Clear PC reflector	S3 & S4
68533	High frequency sensor	All configurations
68534	Trunnion (± 90°)	S1
68535	Trunnion (± 90°)	S2
68536	Trunnion (± 90°)	S3 & S4
68537	Safety cable	S1 & S2
68538	Safety cable	S3 & S4



<sup>1</sup> Drivers can operate from 277-480V  
Lumen values are derived from photometric testing



# L1LEH GEN. 2 Econo and High Performing LED Linear High Bay Luminaire



24"



48"

## QUICK SHIP AND TECHNICAL SPECIFICATION TABLE

Order code	Model number	DLC Premium unique ID <sup>4</sup>	Watts (W)	Volts (VAC)	Color temp. (K) <sup>1</sup>	Lumen output (lm) <sup>2</sup>	Efficacy (lm/W)	CRI	Life L70 (hrs) <sup>3</sup>	Tested hours LM-80 (hrs) <sup>3</sup>	Dimming (Yes/No)	Power factor	THD (%)	Master case qty
<b>24"</b>														
69777	L1LEH-24PS120-Q-3C	S-ZG7N8K	80/100/120	120-347	3 500/4 000/5 000	12 800 - 19 200	160	80+	54 000	9 000	0-10 V	>0.9	<20	1
69778	L1LEH-24PS160-Q-3C	S-N5RQKR	110/130/160	120-347	3 500/4 000/5 000	17 600 - 24 800	155	80+	54 000	9 000	0-10 V	>0.9	<20	1
69779	L1LEH-24PS200-Q-3C	S-K4X40V	155/185/200	120-347	3 500/4 000/5 000	24 800 - 31 000	155	80+	54 000	9 000	0-10 V	>0.9	<20	1
<b>48"</b>														
69780	L1LEH-48PS160-Q-3C	S-S0C5Y7	85/120/160	120-347	3 500/4 000/5 000	13 600 - 24 800	155	80+	54 000	9 000	0-10 V	>0.9	<20	1
69781	L1LEH-48PS240-Q-3C	S-KJRSY4	160/200/240	120-347	3 500/4 000/5 000	24 800 - 37 920	158	80+	54 000	9 000	0-10 V	>0.9	<20	1
69782	L1LEH-48PS360-Q-3C	S-S8TYJ4	270/310/360	120-347	3 500/4 000/5 000	42 120 - 57 600	160	80+	54 000	9 000	0-10 V	>0.9	<20	1
69783	L1LEH-48PS480-Q-3C	S-7LSV61	320/400/480	120-347	3 500/4 000/5 000	51 200 - 76 800	160	80+	54 000	9 000	0-10 V	>0.9	<20	1
69784	L1LEH-48PS625-Q-3C	S-SLK1GV	500/560/625	120-347	3 500/4 000/5 000	80 000 - 100 000	160	80+	54 000	9 000	0-10 V	>0.9	<20	1

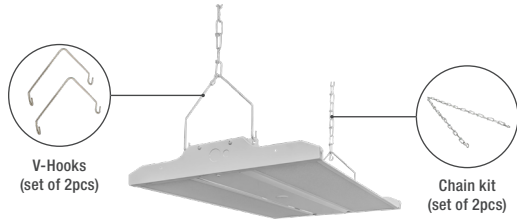
<sup>1</sup> Typical color temperature range: +/- 5 %

<sup>2</sup> Lumen values are based on 4 000 K default programming. Please refer to the LUMEN AND OPERATING TEMPERATURE SPECIFICATION TABLE for more details on other color temperatures

<sup>3</sup> Life hours are derived from IESNA LM-80 testing report and projected per IESNA TM-21 extrapolational color temperature range: +/- 5 %

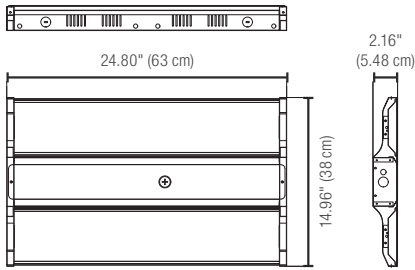
<sup>4</sup> Primary Use Designation: High-Bay Luminaires for Commercial and Industrial Buildings

## ACCESSORIES (included in the box)

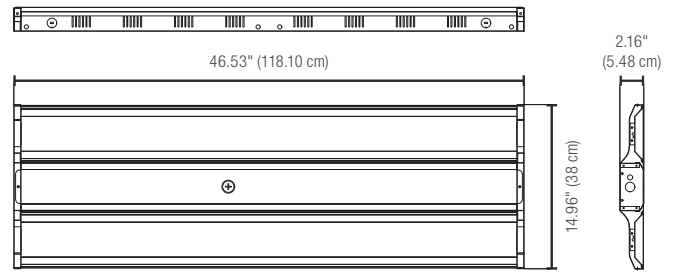


## DIMENSIONS AND WEIGHTS

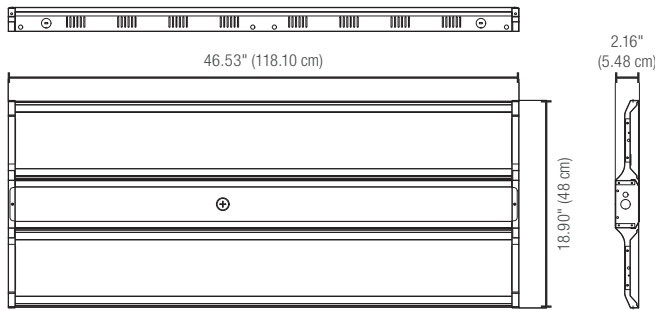
### 24" (PS120, PS160, PS200 models)



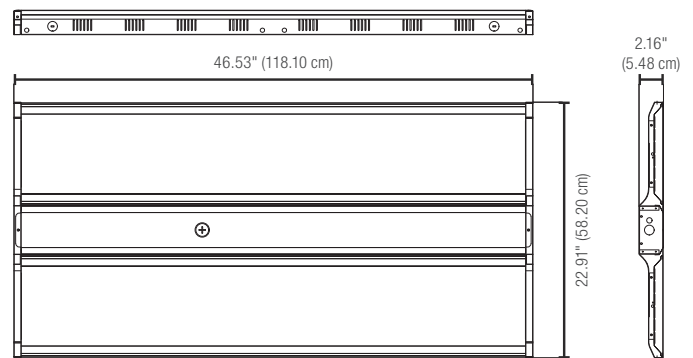
### 48" (PS160, PS240, PS360 models)



### 48" (PS480 model)



### 48" (PS625 model)



	24" (PS120, PS160, PS200 models)	48" (PS160, PS240, PS360 models)	48" (PS480 model)	48" (PS625 model)
Net weight (lbs)	10.36	17.86	18.96	19.84

## ACCESSORIES (sold separately)

Order code	Type	Compatible with
68676	3.25 ft suspension chain kit (set of 2)	All configurations
68907	V-Hooks (set of 2)	All configurations
68910	Surface Mount Bracket (set of 2)	All configurations
68911	Conduit Mount Kit	All configurations
68912	Wireguard 2 ft x 15.5 in	69777, 69778, 69779
68914	Wireguard 4 ft x 15.5 in	69780, 69781, 69782
68915	Wireguard 4 ft x 19.5 in	69783
69991	Wireguard 4 ft x 23.5 in	69784
69444 <sup>1,2</sup>	External High Frequency Sensor OSI-EFS06R	All configurations
69640 <sup>1,2</sup>	External PIR Sensor OSI-EFS07-AUX	All configurations
69080	Remote control OSI-RM51 for motion sensors	69444, 69640
70247	External 10kV surge protector	All configurations
70248	External 20kV surge protector	All configurations

<sup>1</sup> Maximum ambient temperature for sensors is 55 °C

<sup>2</sup> To change factory settings, purchase 69080 remote (sold separately)



Surface mount bracket



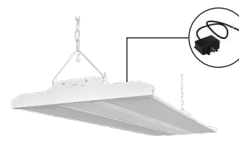
Conduit mount kit



Wireguards



1-pin plug & play sensors (PIR, High Frequency & Bluetooth® Mesh PIR)



Surge Protector Box



## SMART ACCESSORIES (sold separately)

Order code	Type	Compatible with
69651 <sup>1</sup>	Genio Bluetooth® Mesh Internal PIR sensor OSI-PIR106	All configurations

<sup>1</sup> Maximum ambient temperature for sensors is 65 °C

# L1LEH GEN. 1 Econo LED Linear High Bay Luminaire



24"



48"

Order code	Model number	DLC Unique ID	Watts (W)	Volts (VAC)	Color temp. (K)	Lumen output (lm)	Efficacy (lm/W)	CRI	Life L70 (hrs)	Tested hours LM-80 (hrs)	Power factor	Dimming type (V)	THD (%)
<b>24"</b>													
68754	L1LEH-24LS1-Q/40K	PWJRNSYW	85	120-347	4 000	11 475	135	80+	>54 000	9 000	0.9	0-10	10
68756	L1LEH-24LS2-Q/40K	PBCKEBCGU	130	120-347	4 000	17 550	135	80+	>54 000	9 000	0.9	0-10	10
68757	L1LEH-24LS2-Q/50K	PIJBYCBG	130	120-347	5 000	17 680	136	80+	>54 000	9 000	0.9	0-10	10
68759	L1LEH-24LS3-Q/50K	POFB7T5C	170	120-347	5 000	23 120	136	80+	>54 000	9 000	0.9	0-10	10
68760	L1LEH-24LS4-Q/40K	PFHT7Q6B	210	120-347	4 000	28 350	135	80+	>54 000	9 000	0.9	0-10	10
68761	L1LEH-24LS4-Q/50K	P8FTRIA6	210	120-347	5 000	28 560	136	80+	>54 000	9 000	0.9	0-10	10
<b>48"</b>													
68763	L1LEH-48LS1-Q/50K	PLDFIMRC	255	120-347	5 000	34 425	135	80+	>54 000	9 000	0.9	0-10	10
68764	L1LEH-48LS2-Q/40K	PT8PK5RS	300	120-347	4 000	40 723	136	80+	>54 000	9 000	0.9	0-10	10
68765	L1LEH-48LS2-Q/50K	PSOCKWXU	300	120-347	5 000	41 140	137	80+	>54 000	9 000	0.9	0-10	10
68767	L1LEH-48LS3-Q/50K	PM5KZQ8I	400	120-347	5 000	53 607	134	80+	>54 000	9 000	0.9	0-10	10

## INCLUDED IN THE BOX

V-Hooks

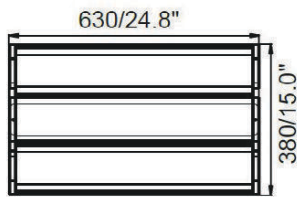


Chain Kits

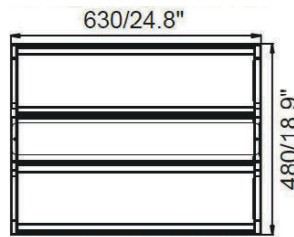


## WEIGHT AND DIMENSIONS

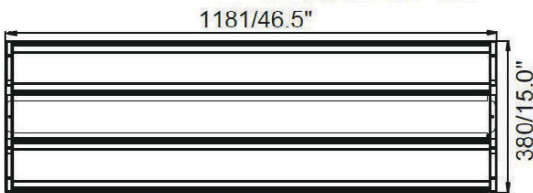
	24"	24" WIDE	48"	48" WIDE
LENGTH (inches)	24.8	24.8	46.5	46.5
WIDTH (inches)	15.0	18.9	15.0	18.9
THICKNESS (inches)	2.2	2.2	2.2	2.2
WEIGHT (lbs)	10.4	11.2	17.9	19.8



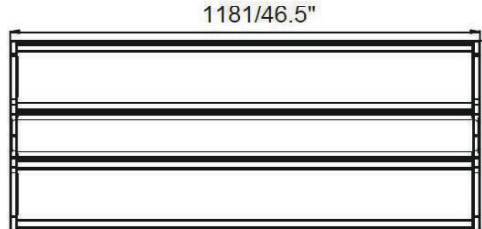
Wattage Range:65-170W



Wattage Range:210W



Wattage Range:255W



Wattage Range:300-400W

## ACCESSORIES

Order code	Model number	Type
68907	CAS982-VHOOK	V-hook kits for L1LEH
68909	KIT-CHAIN-HB	Chain kit for L1LEH
68910	BKT846	Surface mount bracket for L1LEH
68911	BKT847	Conduit mount kit for L1LEH
68912	WGD911-2FT	Wireguard 2 ft / 4 L for L1LEH
68913	WGD911-2FT-W	Wireguard 2 ft / 6 L for L1LEH
68914	WGD911-4FT	Wireguard 4 ft / 4 L for L1LEH
68915	WGD911-4FT-W	Wireguard 4 ft / 6 L for L1LEH
68916 <sup>1</sup>	KITOSI-EFS06R	High frequency sensor kit for L1LEH
68917 <sup>1</sup>	OSI-IFS05R	PIR sensor kit for L1LEH
69080	OSI-RM51	Remote for IL1LEH

<sup>1</sup> To change factory settings, purchase remote (sold separately).

6  
damp  
location

LED  
fixture

ICES  
005

5  
yrs  
warranty

UL  
CERTIFIED

DLC  
LISTED  
PREMIUM







Printed in Canada.  
© 2023 STANDARD Products Inc. All Rights Reserved.

Data is based upon tests performed in a controlled environment.  
Actual performance can vary depending on operating conditions.  
All products are subject to change or may be discontinued any time without notice.

For the latest version, please refer to our website.  
[www.standardpro.com](http://www.standardpro.com)





[standardpro.com](http://standardpro.com)

**STANPRO**